

PLATE-LOADED WEIGHTED WHEELBARROW

WWBRW

401117



Operator's Manual

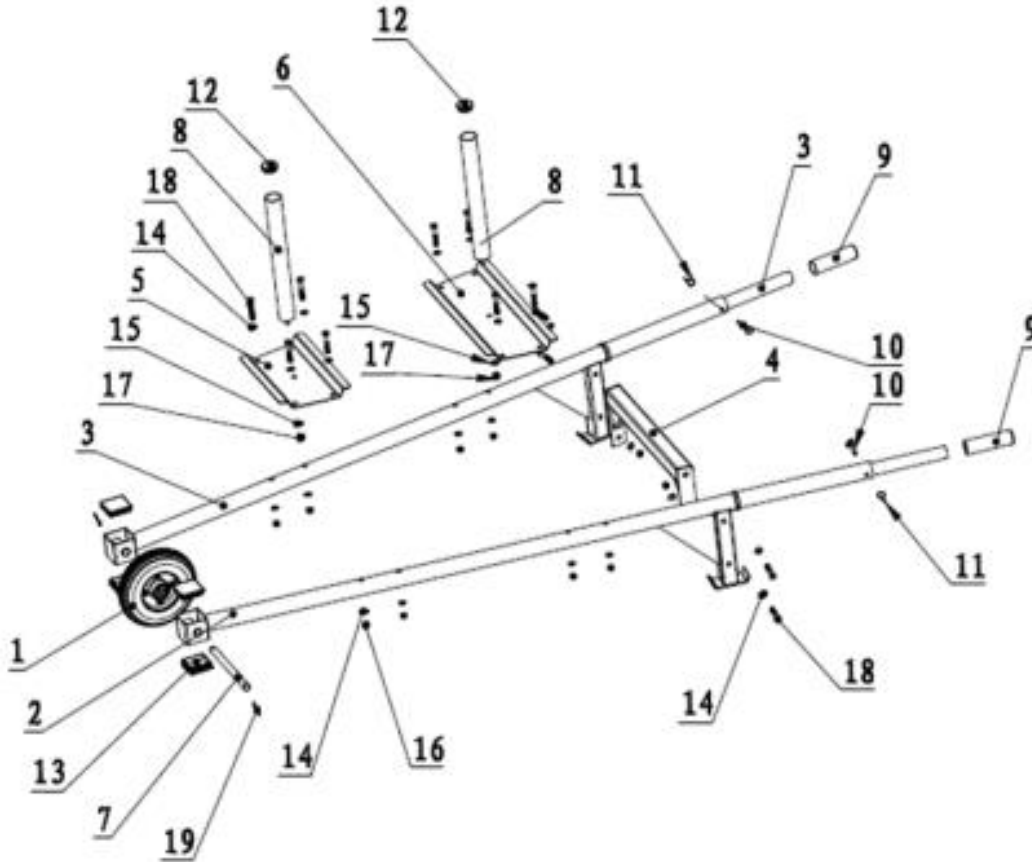


Read the Operator's Manual entirely. When you see this symbol, the subsequent instructions and warnings are serious follow without exception. Your life and the lives of others depend on it!

NOTE FROM TITAN

NOTE: The four weight posts must be loaded evenly with weight plates with a maximum of 200 LB per weight post. Do NOT drop the wheelbarrow from standing height when loaded with plates.

PARTS DIAGRAM / EXPLODED VIEW



KEY	DESCRIPTION	QTY	KEY	DESCRIPTION	QTY
(1)	WHEEL	1	(11)	SNAP JOINT	2
(2)	LEFT FRAME	1	(12)	END CAP 48*2	2
(3)	RIGHT FRAME	1	(13)	END CAP 75*2.5	4
(4)	CROSS FRAME	1	(14)	FLAT WASHER 11*20*2	22
(5)	SUPPORT PLATE 384*225*28*3	1	(15)	FLAT WASHER 13.5*24*2.5	2
(6)	SUPPORT PLATE 568*225*28*3	1	(16)	NUT M10	10
(7)	ROTATION SHAFT	1	(17)	NUT M12	2
(8)	WEIGHT PLATE HOLDER	2	(18)	HEX BOLT M10*65	12
(9)	GRIP	2	(19)	COTTER PINT	2
(10)	PIN	2	(20)		

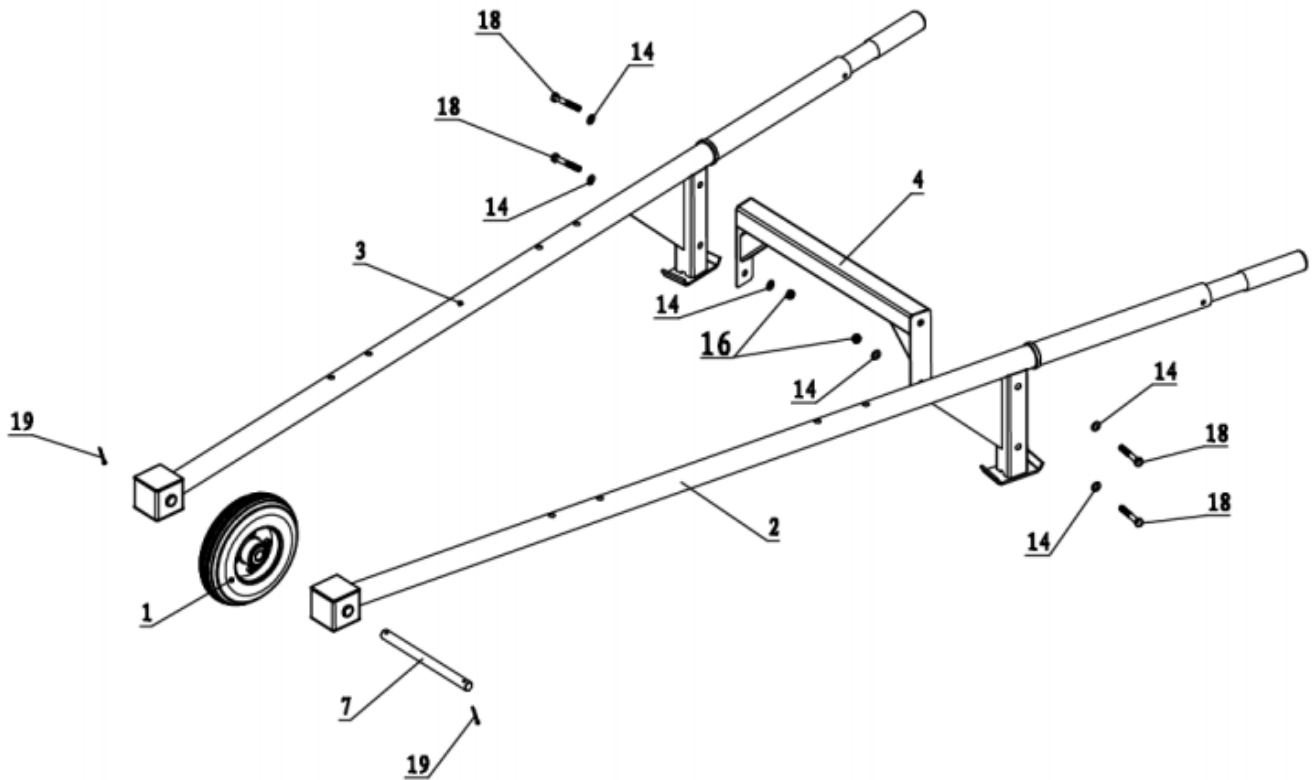
ASSEMBLY INSTRUCTIONS

STEP 1

Connect the WHEEL (1), LEFT FRAME (2), and RIGHT FRAME (3) using the ROTATION SHAFT (7). Install the LEFT FRAME (2) and the RIGHT FRAME (3) to the sides of the CROSS FRAME (4) using FLAT WASHER 11*20*2 (14), NUT M10 (16), and HEX BOLT M10*65 (18).

DO NOT TIGHTEN THE BOLTS.

Insert a COTTER PIN (19) into each hole at the end of the ROTATION SHAFT (7).

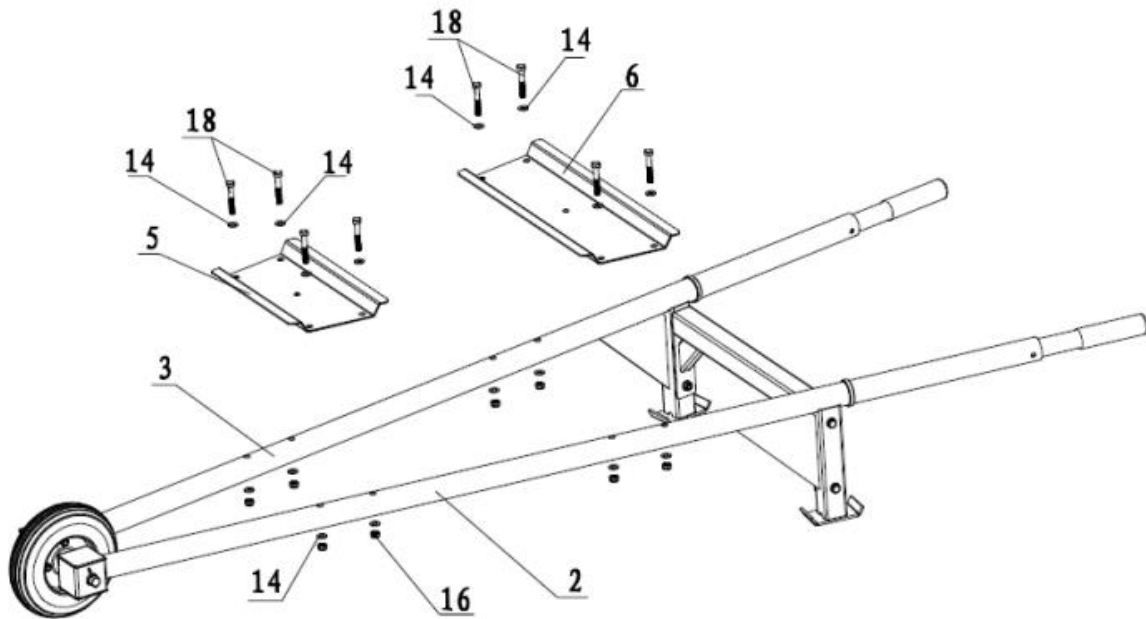


ASSEMBLY INSTRUCTIONS

STEP 2

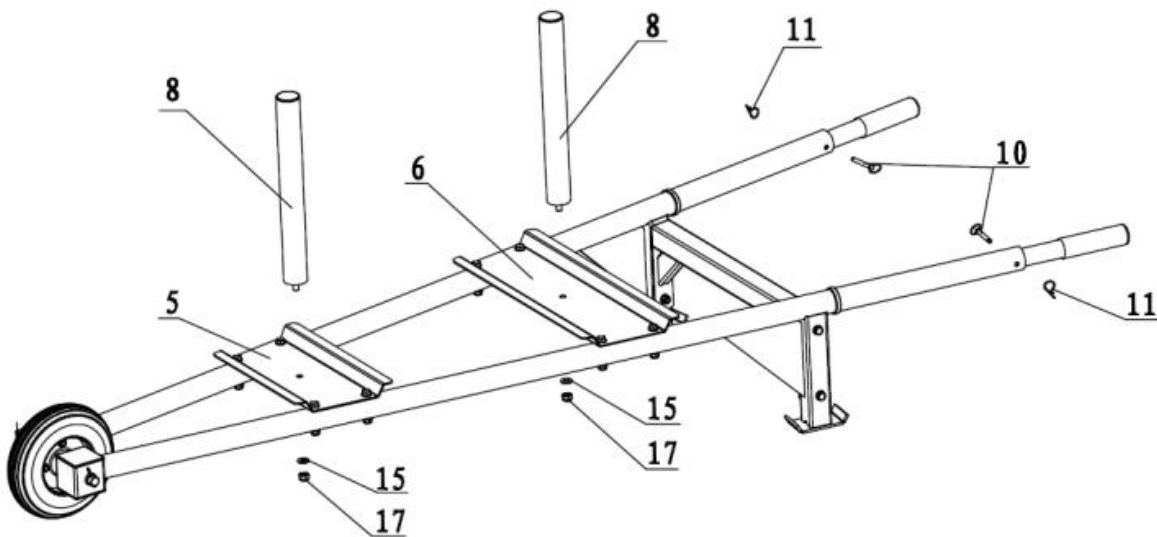
Install the SUPPORT PLATES (5 & 6) to the top of the LEFT FRAME (2) and RIGHT FRAME (4) using FLAT WASHERS 11*20*2 (14), NUTS M10 (16), and HEX BOLTS M10*65 (18).

TIGHTEN THE BOLTS



STEP 3

Insert the threaded portion of the WEIGHT PLATE HOLDERS (8) into the center holes of the SUPPORT PLATES (5 & 6) and secure each one with a FLAT WASHER 13.5*25*2.5 (15) and NUT M12 (17).



ACKNOWLEDGEMENT OF RISK AND RELEASE OF LIABILITY

The use of any equipment, including this one, involves the potential risk of injury. Apart from any warranty claim that might be presented for a claimed defect in material or workmanship of the product, you accept and assume full responsibility for any and all injuries, damages (both economic and non-economic), and losses of any type, which may occur, and you fully and forever release and discharge Titan, its insurers, employees, officers, directors, associates, and agents from any and all claims, demands, damages, rights of action, or causes of action, present or future, whether the same be known or unknown, anticipated, or unanticipated, resulting from or arising out of the use of said equipment.

This equipment must be used with care by capable and competent individuals under supervision,

WARNING



Heavy object. Use lifting aids and proper lifting techniques when moving.



Choking hazard. Small parts – Please exercise caution if small children or pets are present.



Sharp objects may be involved. Use precaution and protection.

TITAN LIMITED WARRANTY: TERMS, EXCLUSIONS AND LIMITATIONS OF REMEDIES

This product comes with a one (1) year limited warranty that can be found at www.titan.fitness/warranty.html Please review the same for all details regarding the Titan Limited Warranty.

THE TITAN LIMITED WARRANTY FOUND AT WWW.TITAN.FITNESS/WARRANTY IS EXCLUSIVE AND IS IN LIEU OF ALL OTHER WARRANTIES, EXPRESS OR IMPLIED, INCLUDING ANY IMPLIED WARRANTY OF MERCHANTABILITY AND/OR FITNESS FOR A PARTICULAR PURPOSE, EACH OF WHICH IS HEREBY DISCLAIMED.



NEED HELP? CONTACT US FIRST.

1-888-410-1503

info@titan.fitness

www.titan.fitness

© 2023 Titan Brands