

ECONOMY H-PND

ECONPND1-ECONPND2

401027

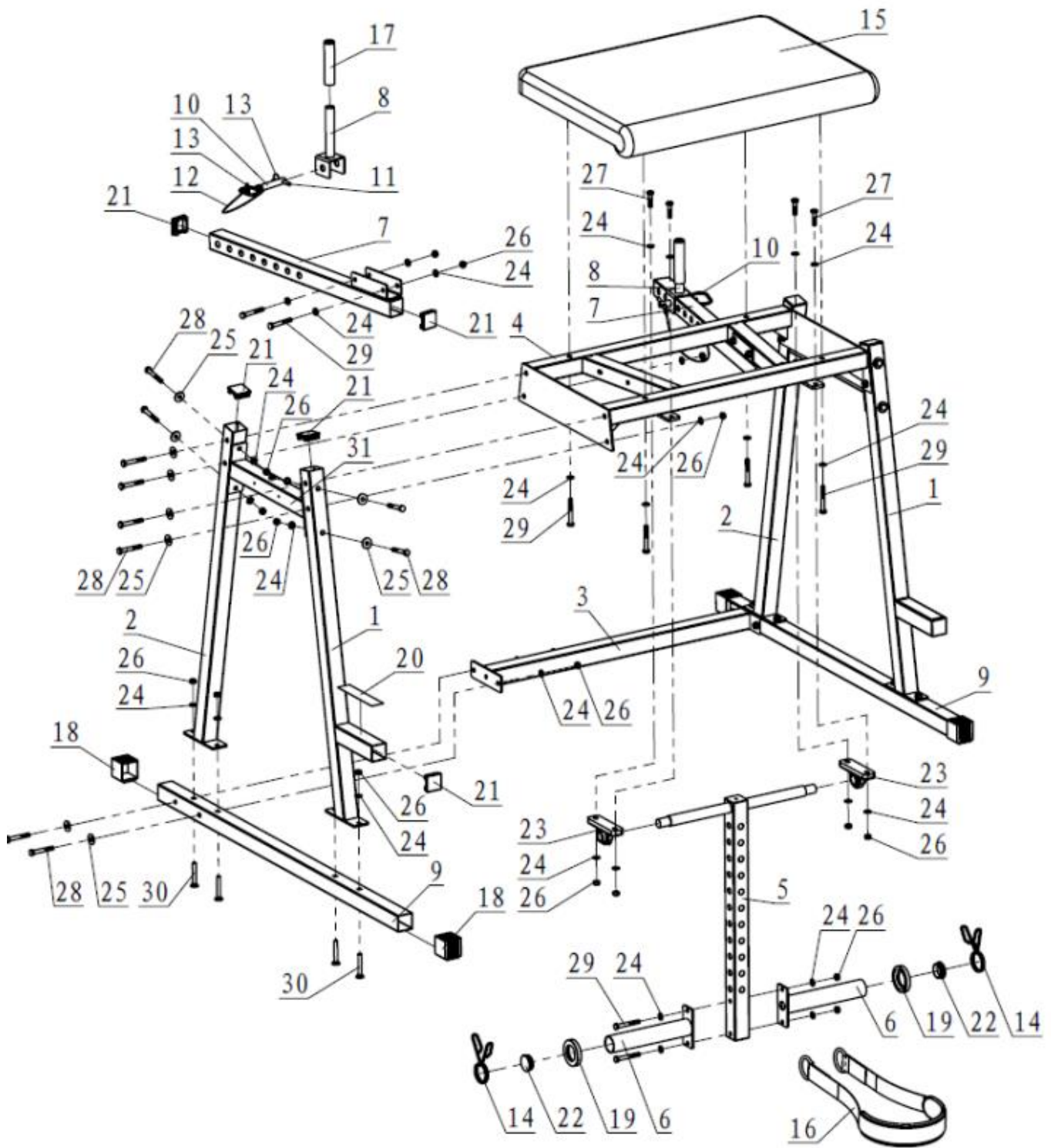


Operator's Manual



Read the Operator's Manual entirely. When you see this symbol, the subsequent instructions and warnings are serious follow without exception. Your life and the lives of others depend on it!

PARTS DIAGRAM / EXPLODED VIEW



PARTS DIAGRAM / EXPLODED VIEW

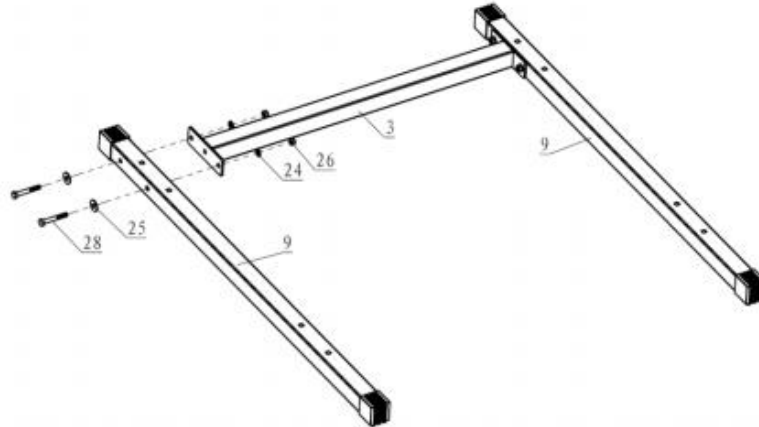
KEY	BOX	DESCRIPTION	QTY
(1)	1	Front Frame	2
(2)	1	Rear Frame	2
(3)	1	Lower Cross Frame	1
(4)	2	Upper Cross Frame	1
(5)	2	Swing Frame	1
(6)	2	Plate Bar Holder	2
(7)	1	Handlebar Frame	2
(8)	2	Adjustable Handlebar	2
(9)	1	Base Frame	2
(10)	2	Hitch Pin $\Phi 20 \times \Phi 17 \times 105$	2
(11)	2	Pin Shaft $\Phi 11 \times \Phi 8 \times 50$	2
(12)	2	Cable $\Phi 5.5 \times \Phi 1.6 \times 330$	2
(13)	2	Pull Ring $\Phi 6 \times 182$	4
(14)	2	Clip $\Phi 50 \times 5$	2
(15)	2	Pad	1
(16)	1	Swing Band	1
(17)	2	Front Handlebar Frame	2
(18)	1	Rubber Foot	4
(19)	2	Rubber Bumper $\Phi 77 \times \Phi 47.5 \times 13$	2
(20)	1	Non-slip Sticker	2
(21)	1	End Cap F50*2	10
(22)	2	End Cap $\Phi 48 \times 2.5$	2
(23)	2	Bearing UCP205	2
(24)	1	Flat Washer $\Phi 11 \times \Phi 20 \times 2$	48
(25)	1	Flat Washer $\Phi 13.5 \times \Phi 30 \times 2.5$	20
(26)	1	Nut M10	34
(27)	1	Hex Bolt M10*40	4
(28)	1	Hex Bolt M10 *70	20
(29)	1	Hex Bolt M10*75	10
(30)	1	Carriage Bolt M10*70	8
(31)	1	Strengthen Frame	2

ASSEMBLY INSTRUCTIONS

STEP 1

Assemble Base Frame (9) and Lower Cross Frame (3) using Big Washer $\Phi 10.5 \times \Phi 30 \times 2.5$ (25), Flat Washer $\Phi 11 \times \Phi 20 \times 2$ (24), Nut M10 (26) and Hex Bolt M10*70 (28).

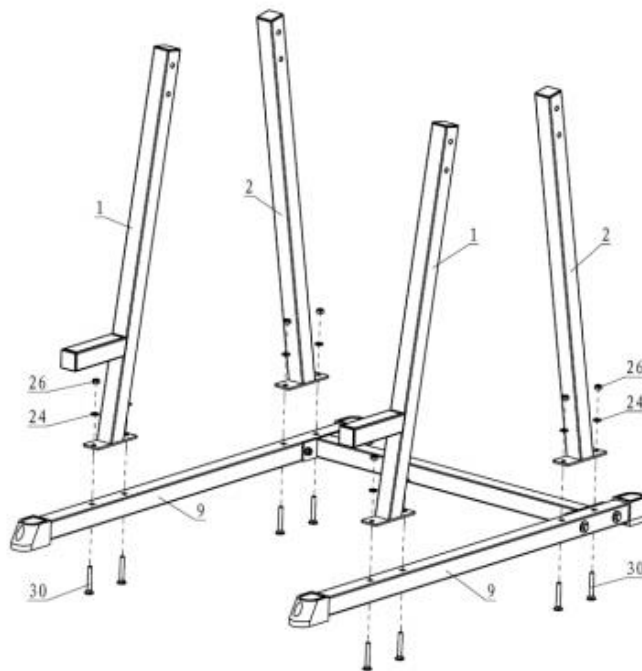
Please don't tighten all bolts.



STEP 2

Assemble Front Frame (1), Rear Frame (2), and Base Frame (9) using Flat Washer $\Phi 11 \times \Phi 20 \times 2$ (24), Nut M10 (26) and Carriage Bolt M10*70 (30).

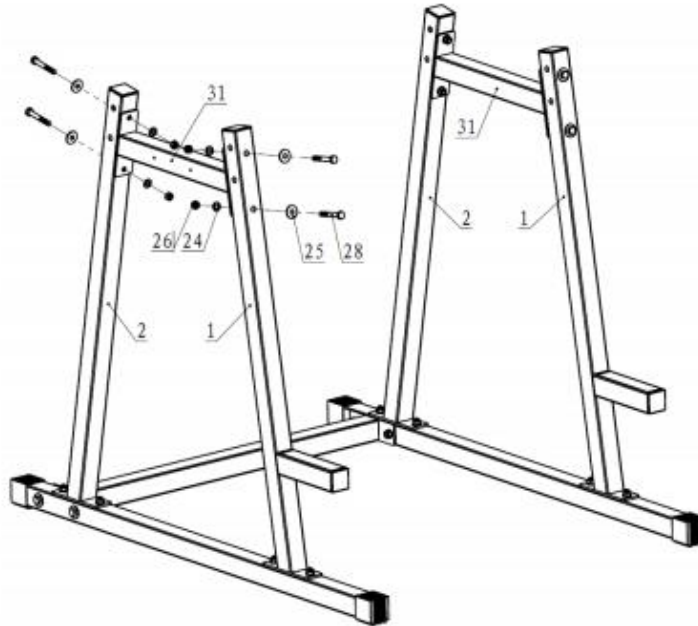
Please don't tighten all bolts.



ASSEMBLY INSTRUCTIONS

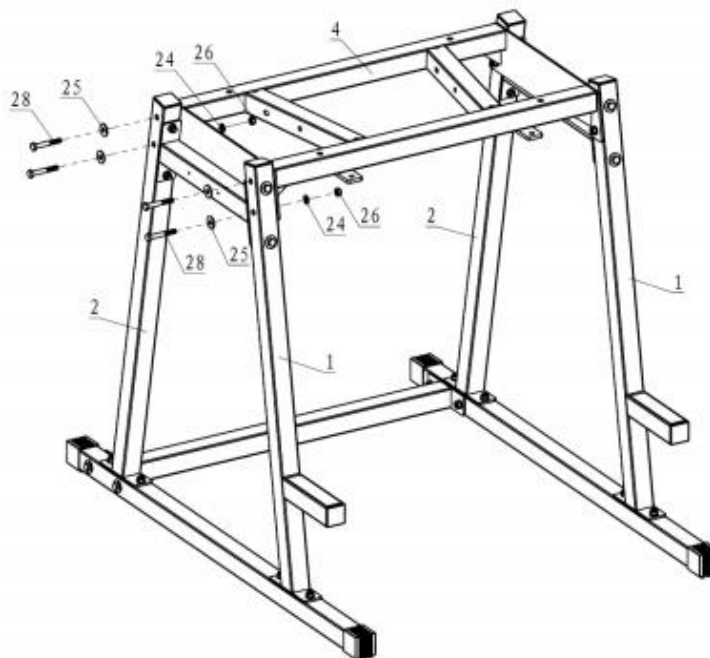
STEP 3

Assemble Front Frame(1) , Rear Frame(2) , and Strengthen Frame(31) using using Big Washer $\Phi 10.5 \times \Phi 30 \times 2.5$ (25), Flat Washer $\Phi 11 \times \Phi 20 \times 2$ (24), Nut M10 (26) and Hex Bolt M10*70 (28).,then adjust the machine and tighten all bolts.



STEP 4

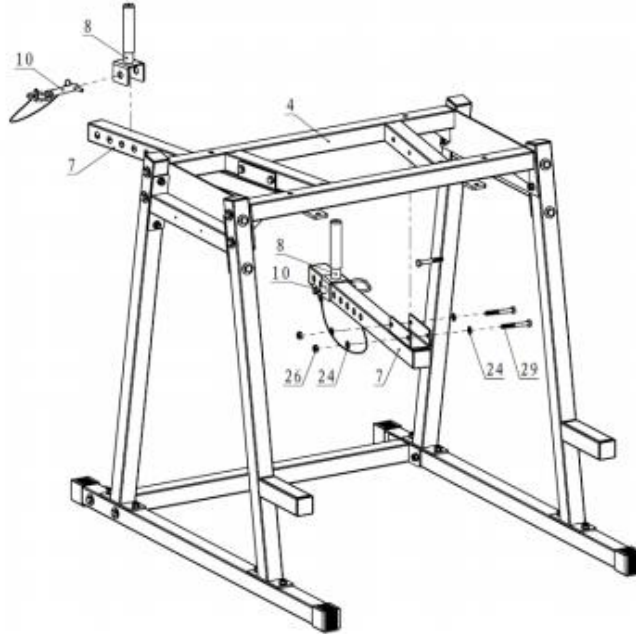
Assemble Front Frame(1) , Rear Frame(2) , and Upper Cross Frame(4) using using Big Washer $\Phi 10.5 \times \Phi 30 \times 2.5$ (25), Flat Washer $\Phi 11 \times \Phi 20 \times 2$ (24), Nut M10 (26) and Hex Bolt M10*70 (28).,then adjust the machine and tighten all bolts.



ASSEMBLY INSTRUCTIONS

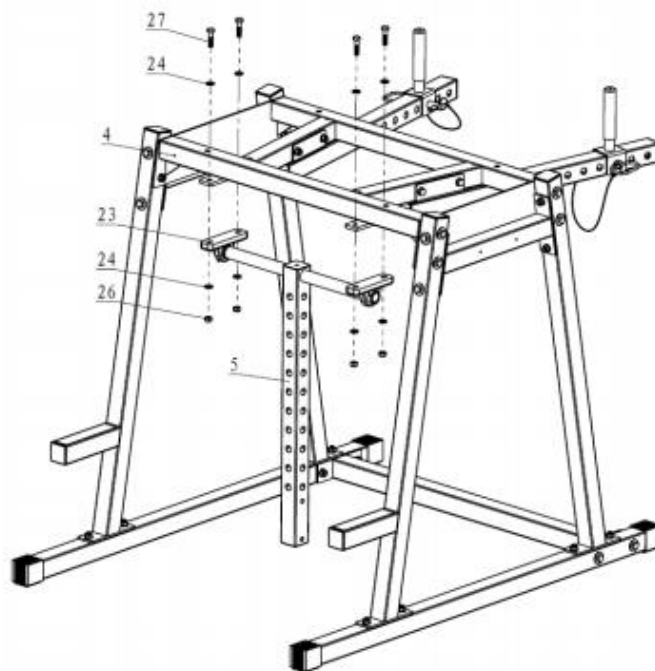
STEP 5

Assemble Upper Cross Frame (4) and Handle Bar Frame (7) using Flat Washer $\Phi 11 \times \Phi 20 \times 2$ (24), Nut M10 (26) and Hex Bolt M10*75(29); Install Adjustable Handle Bar (8) to Handle Bar Frame (7) using Pin Assembly (10).



STEP 6

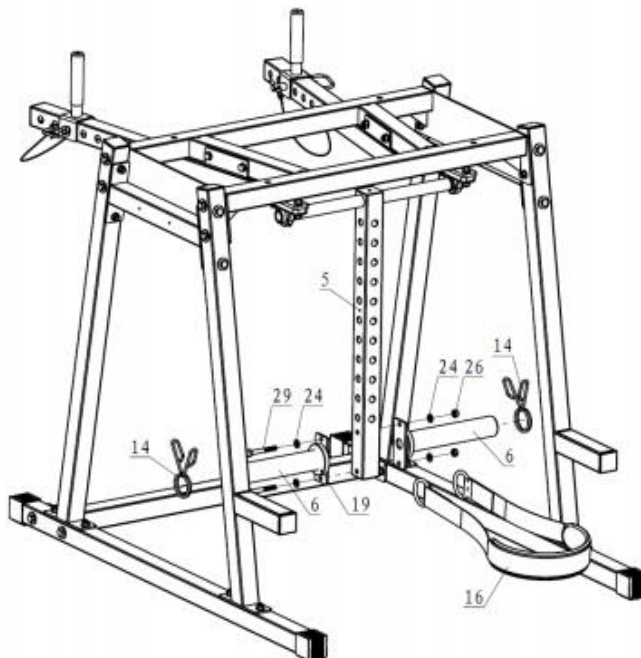
Put Bearing UCP205 (23) on Swing Frame (5), then assemble Swing Frame (5), Upper Cross Frame (4) and Bearing UCP205 (23) using Flat Washer $\Phi 11 \times \Phi 20 \times 2$ (24), Nut M10 (26) and Hex Bolt M10*40(27) as show. Please tighten the bolt.



ASSEMBLY INSTRUCTIONS

STEP 7

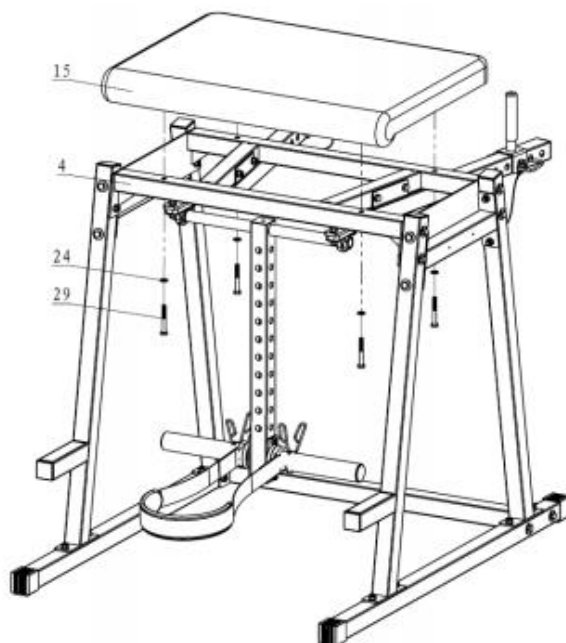
Assemble Swing Frame (5), Plate Bar Holder (6) using Flat Washer $\Phi 11 \times \Phi 20 \times 2$ (24), Nut M10 (26), Hex Bolt M10*75(29), then put Swing Band (16) on Plate Bar Holder (6) using Clip $\Phi 50 \times \Phi 5$ (14) fix it as show.



STEP 8

Install Pad (15) to Upper Cross Frame (4) using Flat Washer $\Phi 11 \times \Phi 20 \times 2$ (24) and Hex Bolt M10*75(29).

Please tighten all bolts.



ACKNOWLEDGEMENT OF RISK AND RELEASE OF LIABILITY

The use of any equipment, including this one, involves the potential risk of injury. Apart from any warranty claim that might be presented for a claimed defect in material or workmanship of the product, you accept and assume full responsibility for any and all injuries, damages (both economic and non-economic), and losses of any type, which may occur, and you fully and forever release and discharge Titan, its insurers, employees, officers, directors, associates, and agents from any and all claims, demands, damages, rights of action, or causes of action, present or future, whether the same be known or unknown, anticipated, or unanticipated, resulting from or arising out of the use of said equipment.

This equipment must be used with care by capable and competent individuals under supervision,

WARNING



Heavy object. Use lifting aids and proper lifting techniques when moving.



Choking hazard. Small parts – Please exercise caution if small children or pets are present.



Sharp objects may be involved. Use precaution and protection.

TITAN LIMITED WARRANTY: TERMS, EXCLUSIONS AND LIMITATIONS OF REMEDIES

This product comes with a one (1) year limited warranty that can be found at www.titan.fitness/warranty.html Please review the same for all details regarding the Titan Limited Warranty.

THE TITAN LIMITED WARRANTY FOUND AT WWW.TITAN.FITNESS/WARRANTY IS EXCLUSIVE AND IS IN LIEU OF ALL OTHER WARRANTIES, EXPRESS OR IMPLIED, INCLUDING ANY IMPLIED WARRANTY OF MERCHANTABILITY AND/OR FITNESS FOR A PARTICULAR PURPOSE, EACH OF WHICH IS HEREBY DISCLAIMED.



NEED HELP? CONTACT US FIRST.

1-888-410-1503

info@titan.fitness

www.titan.fitness

© 2023 Titan Brands