

# T-2 SERIES ADJUSTABLE MONOLIFT

---

PINMLIFT\_T2

401336

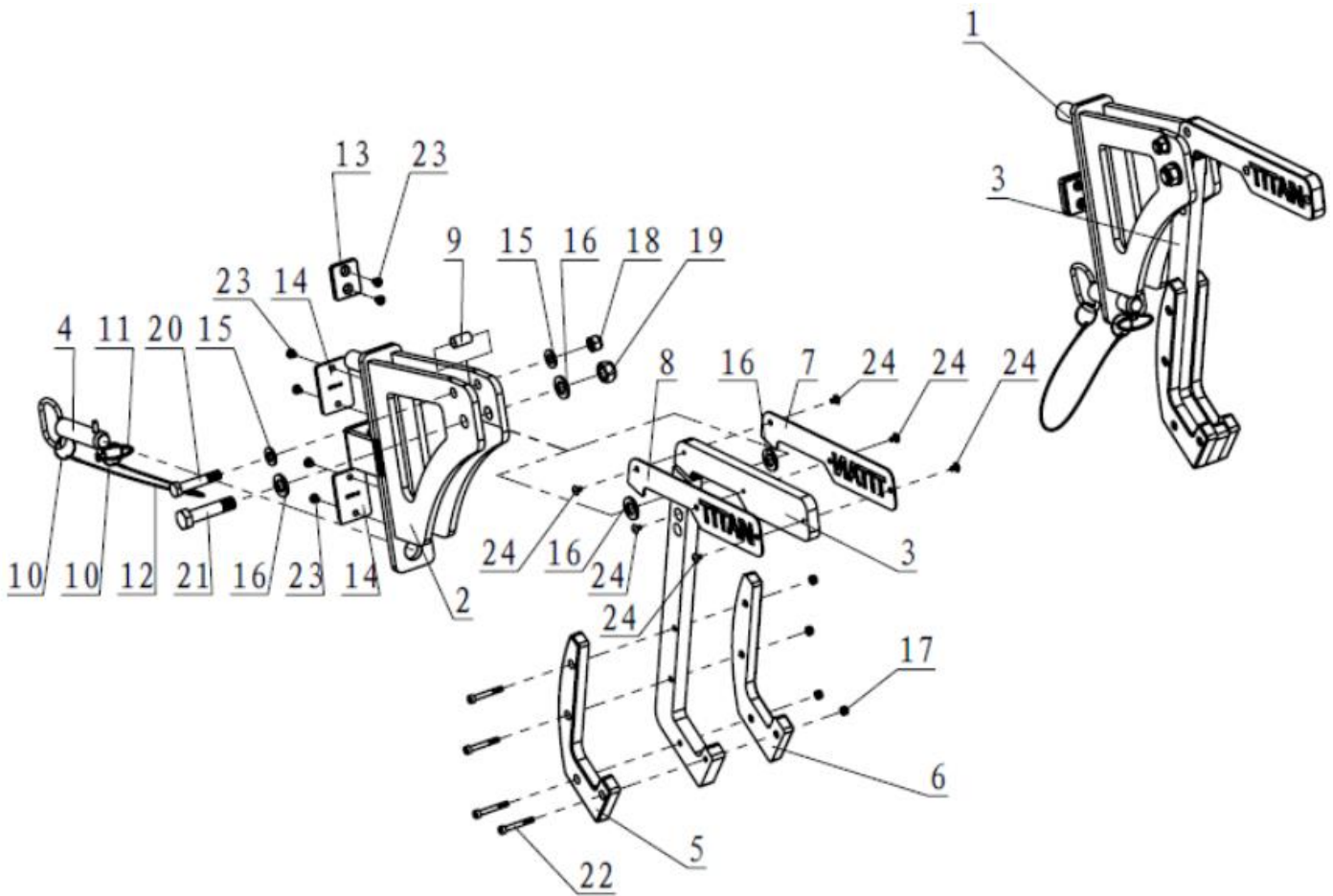


## Operator's Manual



Read the Operator's Manual entirely. When you see this symbol, the subsequent instructions and warnings are serious follow without exception. Your life and the lives of others depend on it!

**PARTS DIAGRAM / EXPLODED VIEW**



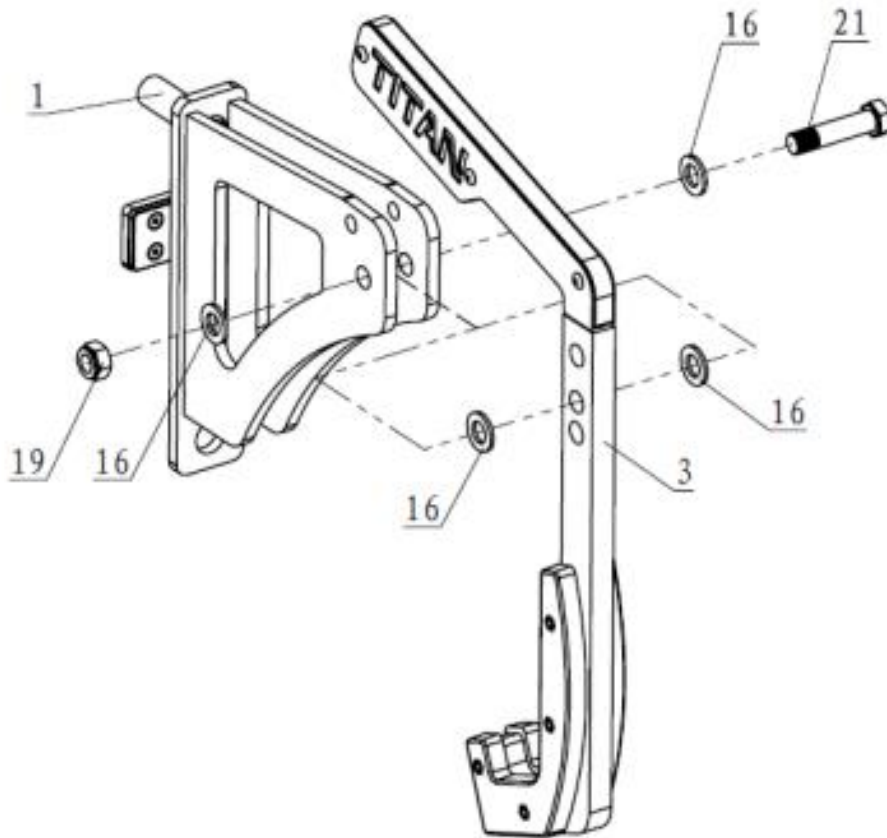
Key	Description	Qty	Key	Description	Qty
(1)	Left Fixing Frame	1	(13)	Front Plastic Plate 48*40*5	2
(2)	Right Fixing Frame	1	(14)	Front Plastic Plate 68*48*5	4
(3)	Swing Barbell Plate	2	(15)	Flat Washer $\phi$ 13.5* $\Phi$ 24*2.5	4
(4)	Hitch Pin $\Phi$ 24*100	2	(16)	Flat Washer $\phi$ 17* $\Phi$ 30*3	8
(5)	Left Safety Splint	2	(17)	Nut M6	8
(6)	Right Safety Splint	2	(18)	Nut M12	2
(7)	Left Logo Plate	2	(19)	Nut M16	2
(8)	Right Logo Plate	2	(20)	Hex Bolt M12*65	2
(9)	Plastic Sleeve $\Phi$ 14* $\Phi$ 12*25	2	(21)	Hex Bolt M16*70	2
(10)	Pull Ring $\Phi$ 6*182	2	(22)	Countersunk Head Screw M6*45	8
(11)	Small Pin $\Phi$ 6*45	4	(23)	Hexagon Socket Head Bolt M6*10	12
(12)	Wire Rope 1 $\Phi$ 5.5* $\Phi$ 1.6*330	4	(24)	Screw M5*8	12

## ASSEMBLY INSTRUCTIONS

---

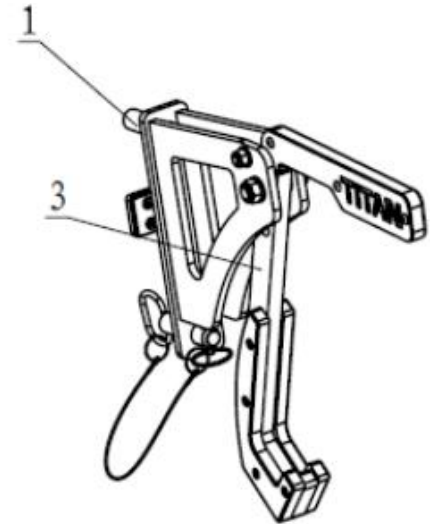
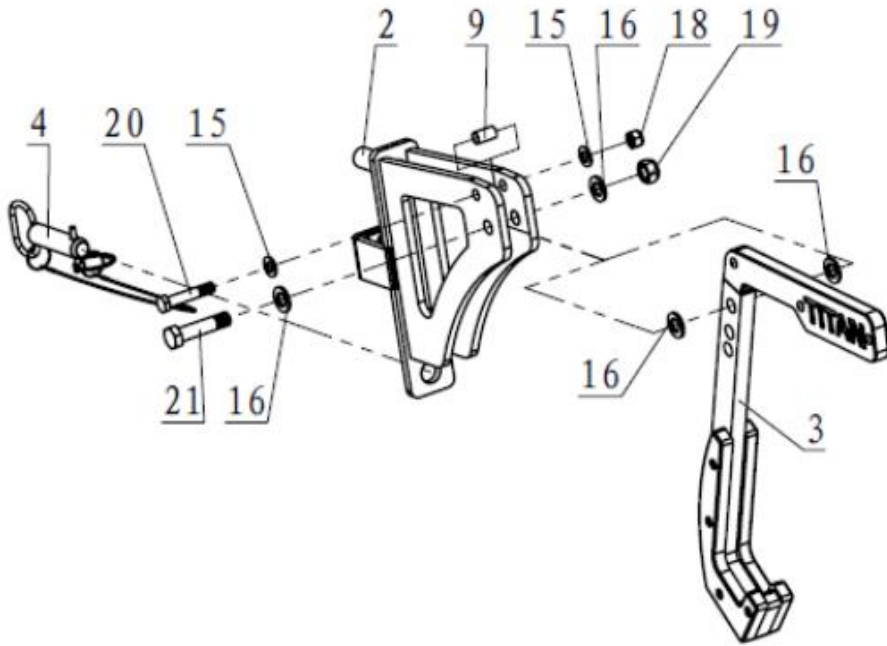
### Step 1

Remove Hex Bolt M16\*70 (21), Flat Washer  $\Phi 17*\Phi 30*3$  (16) and Nut M16 (19) from the Left Fixing Frame (1).



## Step 2

1. Turn the Swing Barbell Plate (3) around, then fix the Swing Barbell Plate (3) to the Left & Right Fixing Frame (1 & 2) using Flat Washer  $\Phi 17*\Phi 30*3$  (16), Nut M16 (20), and Hex Bolt M16\*70 (21).
2. Install the Plastic Sleeve (9) on the Left& Right Fixing Frame (1 & 2) using Flat Washer  $\Phi 13.5*\Phi 24*2.5$  (15), Nut M12 (9), and Hex Bolt M12\*65 (20).



## ACKNOWLEDGEMENT OF RISK AND RELEASE OF LIABILITY

---

The use of any equipment, including this one, involves the potential risk of injury. Apart from any warranty claim that might be presented for a claimed defect in material or workmanship of the product, you accept and assume full responsibility for any and all injuries, damages (both economic and non-economic), and losses of any type, which may occur, and you fully and forever release and discharge Titan, its insurers, employees, officers, directors, associates, and agents from any and all claims, demands, damages, rights of action, or causes of action, present or future, whether the same be known or unknown, anticipated, or unanticipated, resulting from or arising out of the use of said equipment.

This equipment must be used with care by capable and competent individuals under supervision,

## WARNING

---



Heavy object. Use lifting aids and proper lifting techniques when moving.



Choking hazard. Small parts – Please exercise caution if small children or pets are present.



Sharp objects may be involved. Use precaution and protection.

## TITAN LIMITED WARRANTY: TERMS, EXCLUSIONS AND LIMITATIONS OF REMEDIES

---

This product comes with a one (1) year limited warranty that can be found at [www.titan.fitness/warranty.html](http://www.titan.fitness/warranty.html) Please review the same for all details regarding the Titan Limited Warranty.

**THE TITAN LIMITED WARRANTY FOUND AT [WWW.TITAN.FITNESS/WARRANTY](http://WWW.TITAN.FITNESS/WARRANTY) IS EXCLUSIVE AND IS IN LIEU OF ALL OTHER WARRANTIES, EXPRESS OR IMPLIED, INCLUDING ANY IMPLIED WARRANTY OF MERCHANTABILITY AND/OR FITNESS FOR A PARTICULAR PURPOSE, EACH OF WHICH IS HEREBY DISCLAIMED.**



**NEED HELP? CONTACT US FIRST.**

**1-888-410-1503**

[info@titan.fitness](mailto:info@titan.fitness)

[www.titan.fitness](http://www.titan.fitness)

© 2023 Titan Brands