

T-3 SERIES STEP-UP PLATFORM

RCKSTP_T3

401353

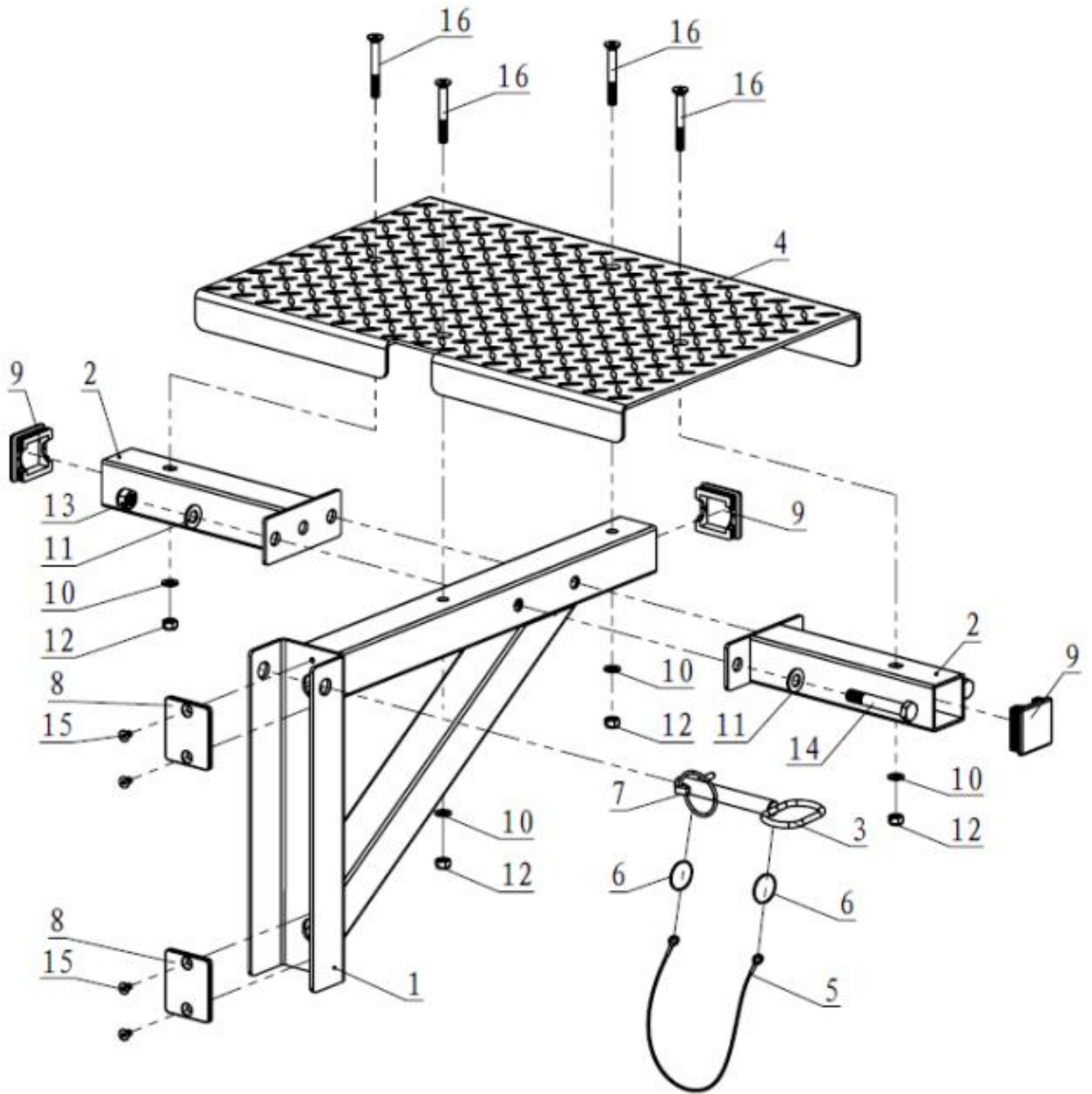


Operator's Manual



Read the Operator's Manual entirely. When you see this symbol, the subsequent instructions and warnings are serious follow without exception. Your life and the lives of others depend on it!

PARTS DIAGRAM / EXPLODED VIEW

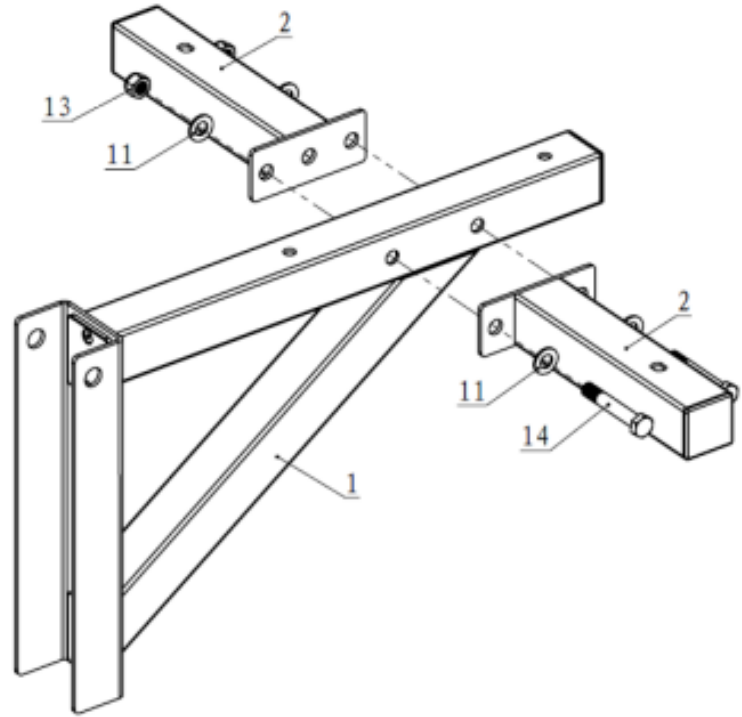


KEY	DESCRIPTION	QTY	KEY	DESCRIPTION	QTY
(1)	MAIN FRAME	1	(9)	End Cap 50*50*3	3
(2)	SIDE SUPPORT FRAME	2	(10)	Flat Washer Φ9*Φ16*.1.6	4
(3)	HITCH PIN Φ16*125	1	(11)	Flat Washer Φ13.5*Φ24*2.5	4
(4)	PEDAL	1	(12)	Nut M8	4
(5)	Wire Rope 1 Φ5.5*Φ1.6*330	1	(13)	Nut M12	2
(6)	PULL RING Φ6*182	2	(14)	Hex Bolt M12*75	2
(7)	Small Pin Φ6*45	1	(15)	Countersunk Head Screw M6*10	4
(8)	Plastic Plate 68*58*5	2	(16)	Countersunk Head Screw M8*65	4

ASSEMBLY INSTRUCTIONS

STEP 1

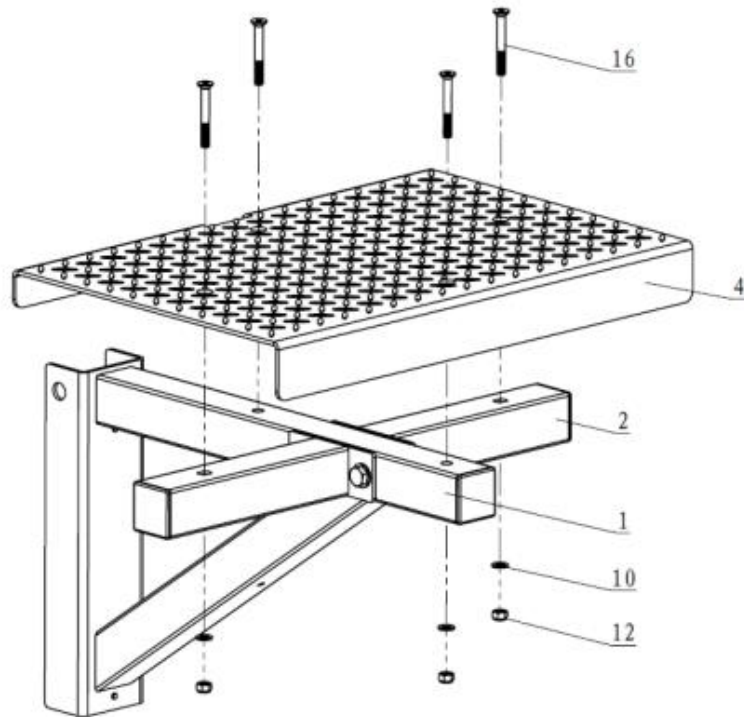
Connect the Side Support Frame (2) and Main Frame (1), using Hex Bolt M12*75 (14), Flat Washer $\Phi 13.5*\Phi 24*2.5$ (11) and Nut M12 (13).



STEP 2

Install the Pedal (4) on Main Frame (1) and Side Support Frame (2), using Flat Washer $\Phi 9*\Phi 16*1.6$ (10), Nut M8 (12) and Countersunk Head Screw M8*65 (16).

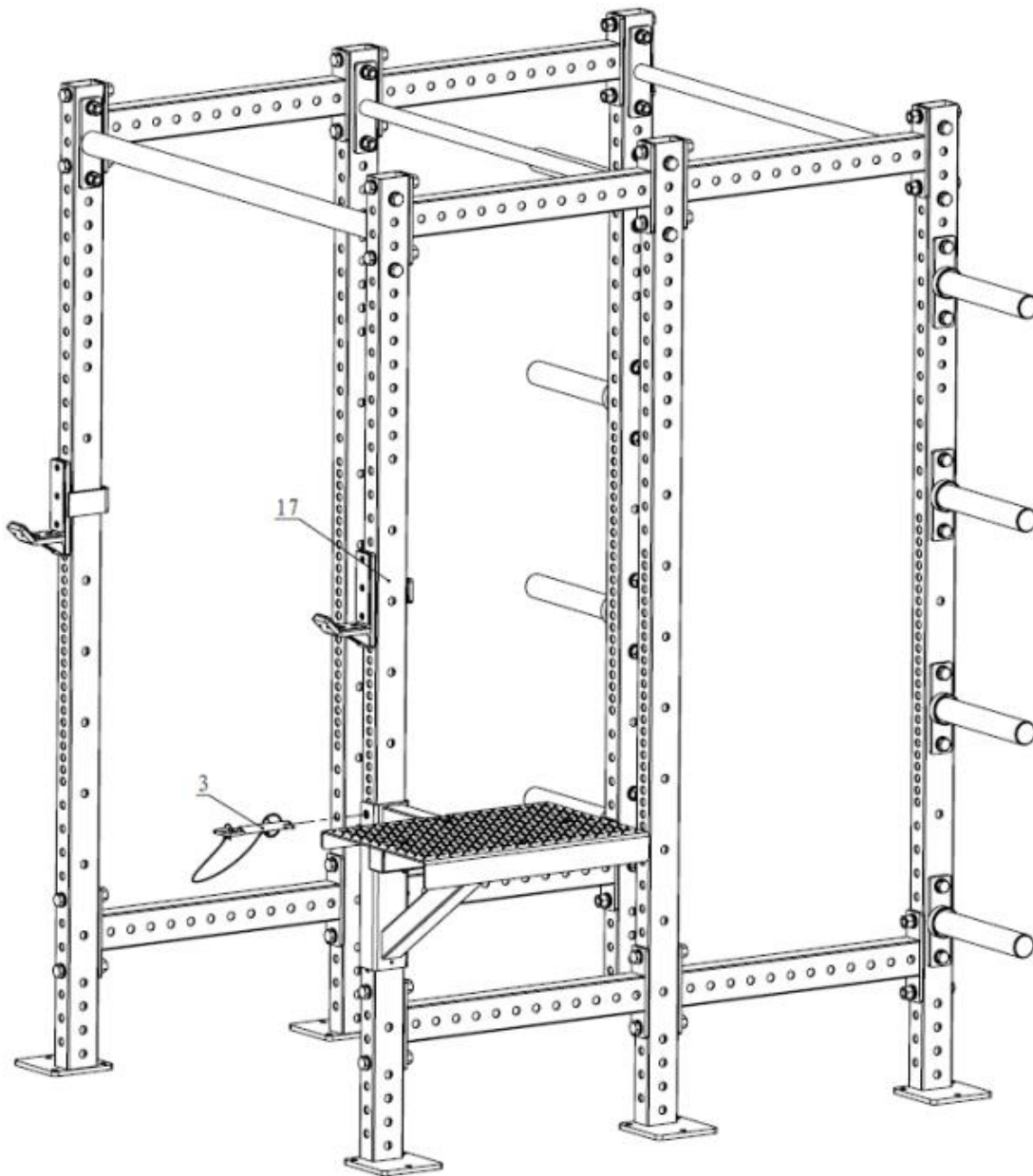
NOTE: For an easier view, we found mounting the bracket to the upright, then adding the platform to be easier.



ASSEMBLY INSTRUCTIONS

STEP 3

Install the Step-up Platform on Power Rack properly, fixing by Hitch Pin (3).



ACKNOWLEDGEMENT OF RISK AND RELEASE OF LIABILITY

The use of any equipment, including this one, involves the potential risk of injury. Apart from any warranty claim that might be presented for a claimed defect in material or workmanship of the product, you accept and assume full responsibility for any and all injuries, damages (both economic and non-economic), and losses of any type, which may occur, and you fully and forever release and discharge Titan, its insurers, employees, officers, directors, associates, and agents from any and all claims, demands, damages, rights of action, or causes of action, present or future, whether the same be known or unknown, anticipated, or unanticipated, resulting from or arising out of the use of said equipment.

This equipment must be used with care by capable and competent individuals under supervision,

WARNING



Heavy object. Use lifting aids and proper lifting techniques when moving.



Choking hazard. Small parts – Please exercise caution if small children or pets are present.



Sharp objects may be involved. Use precaution and protection.

TITAN LIMITED WARRANTY: TERMS, EXCLUSIONS AND LIMITATIONS OF REMEDIES

This product comes with a one (1) year limited warranty that can be found at www.titan.fitness/warranty.html Please review the same for all details regarding the Titan Limited Warranty.

THE TITAN LIMITED WARRANTY FOUND AT WWW.TITAN.FITNESS/WARRANTY IS EXCLUSIVE AND IS IN LIEU OF ALL OTHER WARRANTIES, EXPRESS OR IMPLIED, INCLUDING ANY IMPLIED WARRANTY OF MERCHANTABILITY AND/OR FITNESS FOR A PARTICULAR PURPOSE, EACH OF WHICH IS HEREBY DISCLAIMED.



NEED HELP? CONTACT US FIRST.

1-888-410-1503

info@titan.fitness

www.titan.fitness

© 2023 Titan Brands