

# STEALTH LEG PRESS

---

STLTHLEGPRS

401376

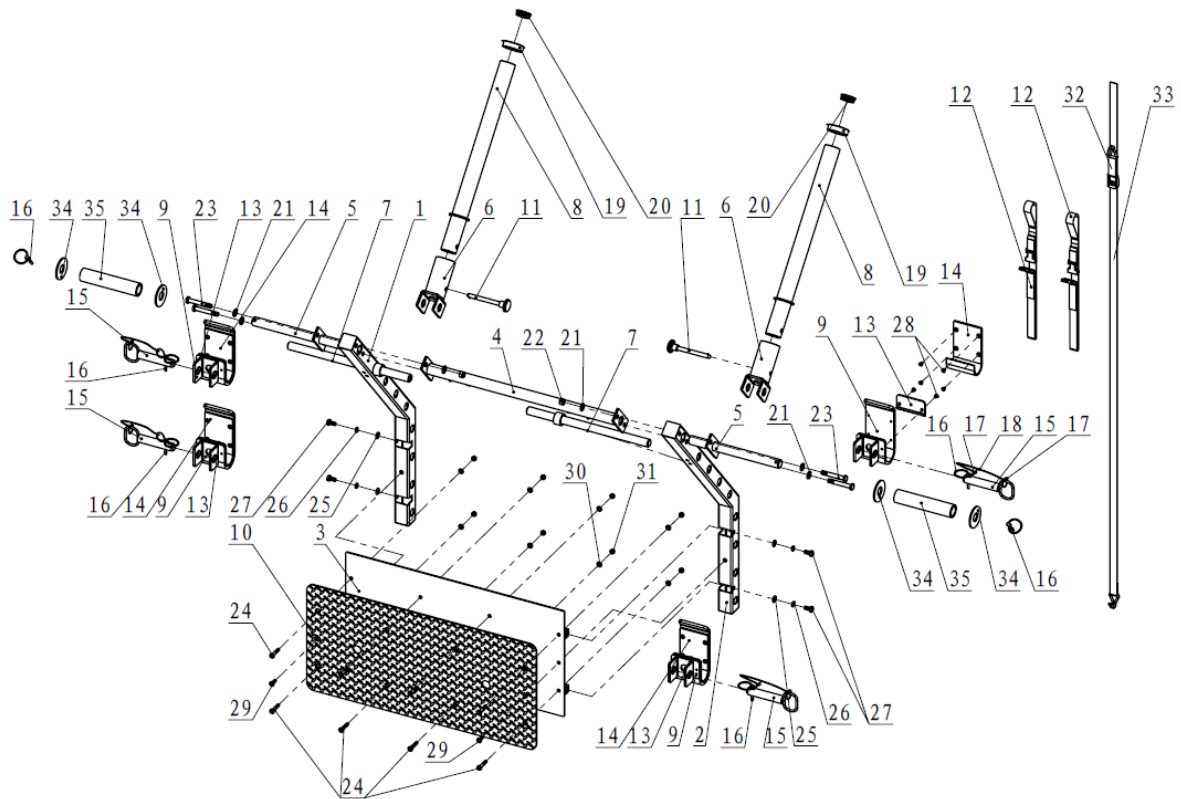


## Operator's Manual



Read the Operator's Manual entirely. When you see this symbol, the subsequent instructions and warnings are serious follow without exception. Your life and the lives of others depend on it!

**PARTS DIAGRAM / EXPLODED VIEW**



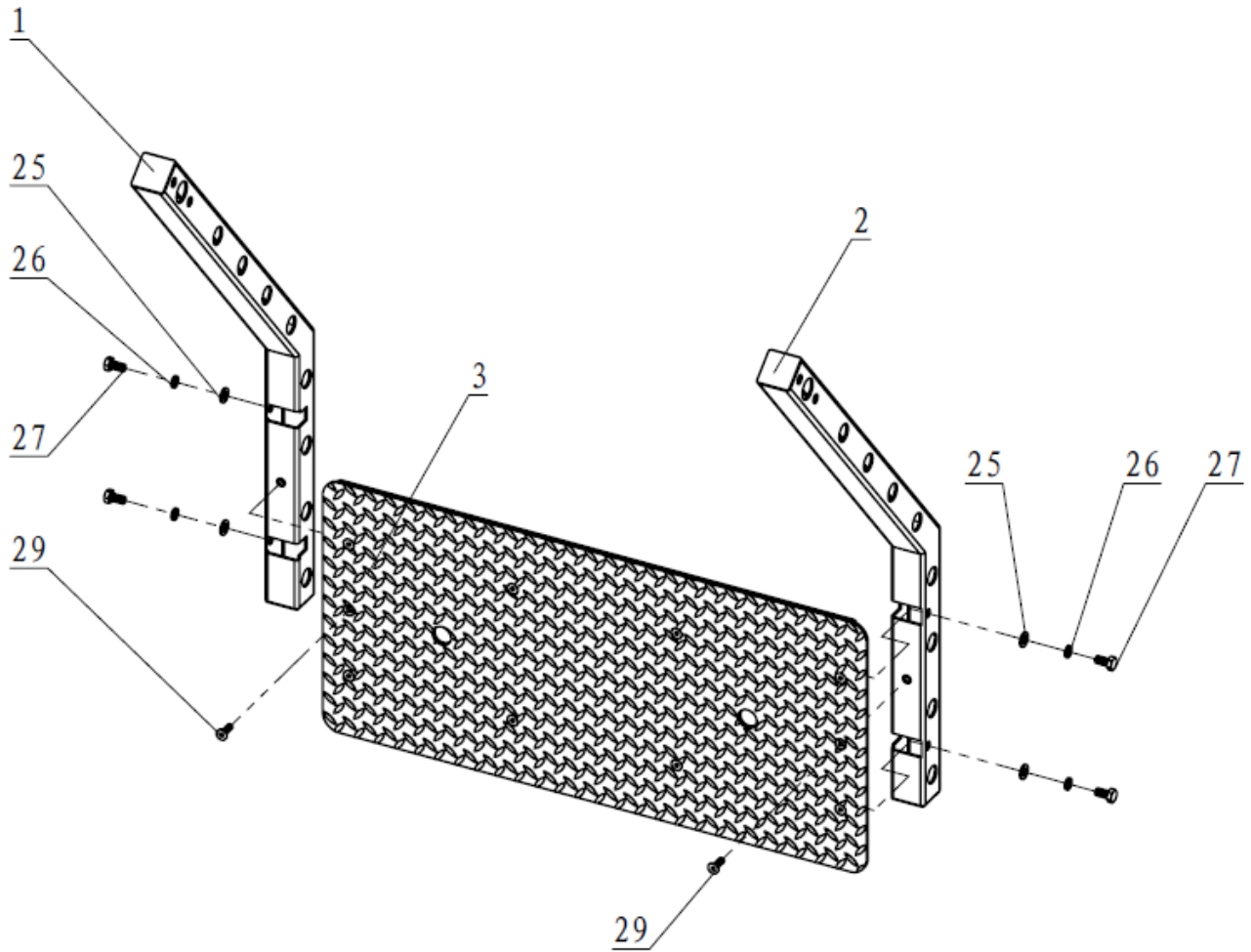
KEY	BOX	DESCRIPTION	QTY	KEY	BOX	DESCRIPTION	QTY
(1)	1	Left Arm Frame	1	(19)	1	Rubber Cushion	2
(2)	1	Right Arm Frame	1	(20)	1	Φ48 End Cap	2
(3)	1	Connecting Frame	1	(21)	1	Flat WasherΦ13.5*Φ24*2.5	8
(4)	1	Upper Contacting Frame	1	(22)	1	Nut M12	4
(5)	1	Weight Plate Holder	2	(23)	1	Hex Bolt M12*80	4
(6)	1	Fixing Frame	2	(24)	1	Countersunk Head Screw	8
(7)	1	Limit Frame	2	(25)	1	Flat WasherΦ11*Φ20*2	4
(8)	1	Long Weight Plate Holder	2	(26)	1	Spring Washer Φ10	4
(9)	1	Barbell Holder	4	(27)	1	Hex Bolt M10*20	4
(10)	1	Pedal Plate	1	(28)	1	Countersunk Head Screw	24
(11)	1	Hitch Pin Φ25*125	2	(29)	1	Countersunk Head Screw	2
(12)	1	Safety Strap	2	(30)	1	Flat Washer Φ9*Φ16*1.6	8
(13)	1	Short Protective Plate	4	(31)	1	Nut M8	8
(14)	1	U-shape Protective Plate	4	(32)	1	Short Strap Hook	1
(15)	1	Hitch Pin Φ25*125	4	(33)	1	Long Strap Hook	1
(16)	1	Small Pin Φ6*45	6	(34)	1	Buffer Φ70*Φ28.5*4	4
(17)	1	Pull Ring Φ6*182	8	(35)	1	Plastic Sleeve Φ42*Φ29*200	2
(18)	1	Cable Φ5.5*Φ1.6*330	4				

## ASSEMBLY INSTRUCTIONS

---

### Step 1

Connect Left & Right Arm Frame (1&2) and Connecting Frame (3), using Flat Washer  $\Phi 11 * \Phi 20.2$ (25), Spring Washer  $\Phi 10$  (26), Countersunk Head Screw M8\*25(29) and Hex Bolt M10\*20(27)



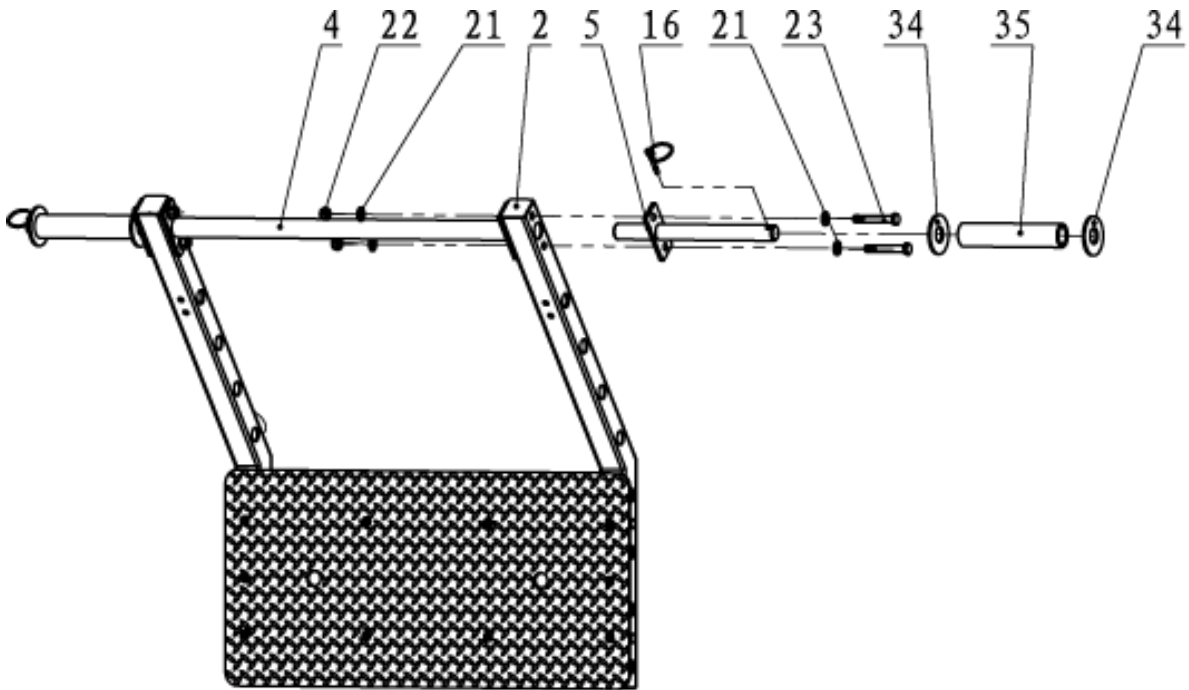
## ASSEMBLY INSTRUCTIONS

---

### Step 2

1. Remove the Small Pin (16), Buffer (34) and Plastic Sleeve (35) from the Weight Plate Holder (5).
2. Place the Upper Connecting Frame (4) between the Left & Right Arm Frame (1&2). Then connect Left & Right Arm Frame (1&2), Upper Connecting Frame (4) and Weight Plate Holder (5), using Flat Washer  $\Phi 13.5 \times \Phi 24 \times 2.5$  (21), M12 Nut (22) and Hex Bolt M12\*80 (23).
3. Reinstall the Buffer (34) and Plastic Sleeve (35) on the Weight Plate Holder (5), then insert the Small Pin (16).

Tighten all bolts.



## ACKNOWLEDGEMENT OF RISK AND RELEASE OF LIABILITY

---

The use of any equipment, including this one, involves the potential risk of injury. Apart from any warranty claim that might be presented for a claimed defect in material or workmanship of the product, you accept and assume full responsibility for any and all injuries, damages (both economic and non-economic), and losses of any type, which may occur, and you fully and forever release and discharge Titan, its insurers, employees, officers, directors, associates, and agents from any and all claims, demands, damages, rights of action, or causes of action, present or future, whether the same be known or unknown, anticipated, or unanticipated, resulting from or arising out of the use of said equipment.

This equipment must be used with care by capable and competent individuals under supervision,

## WARNING

---



Heavy object. Use lifting aids and proper lifting techniques when moving.



Choking hazard. Small parts – Please exercise caution if small children or pets are present.



Sharp objects may be involved. Use precaution and protection.

## TITAN LIMITED WARRANTY: TERMS, EXCLUSIONS AND LIMITATIONS OF REMEDIES

---

This product comes with a one (1) year limited warranty that can be found at [www.titan.fitness/warranty.html](http://www.titan.fitness/warranty.html) Please review the same for all details regarding the Titan Limited Warranty.

**THE TITAN LIMITED WARRANTY FOUND AT [WWW.TITAN.FITNESS/WARRANTY](http://WWW.TITAN.FITNESS/WARRANTY) IS EXCLUSIVE AND IS IN LIEU OF ALL OTHER WARRANTIES, EXPRESS OR IMPLIED, INCLUDING ANY IMPLIED WARRANTY OF MERCHANTABILITY AND/OR FITNESS FOR A PARTICULAR PURPOSE, EACH OF WHICH IS HEREBY DISCLAIMED.**



**NEED HELP? CONTACT US FIRST.**

**1-888-410-1503**

[info@titan.fitness](mailto:info@titan.fitness)

[www.titan.fitness](http://www.titan.fitness)

© 2023 Titan Brands