

# TITAN SERIES SPOTTER ARMS

---

TITANSQSA  
400536

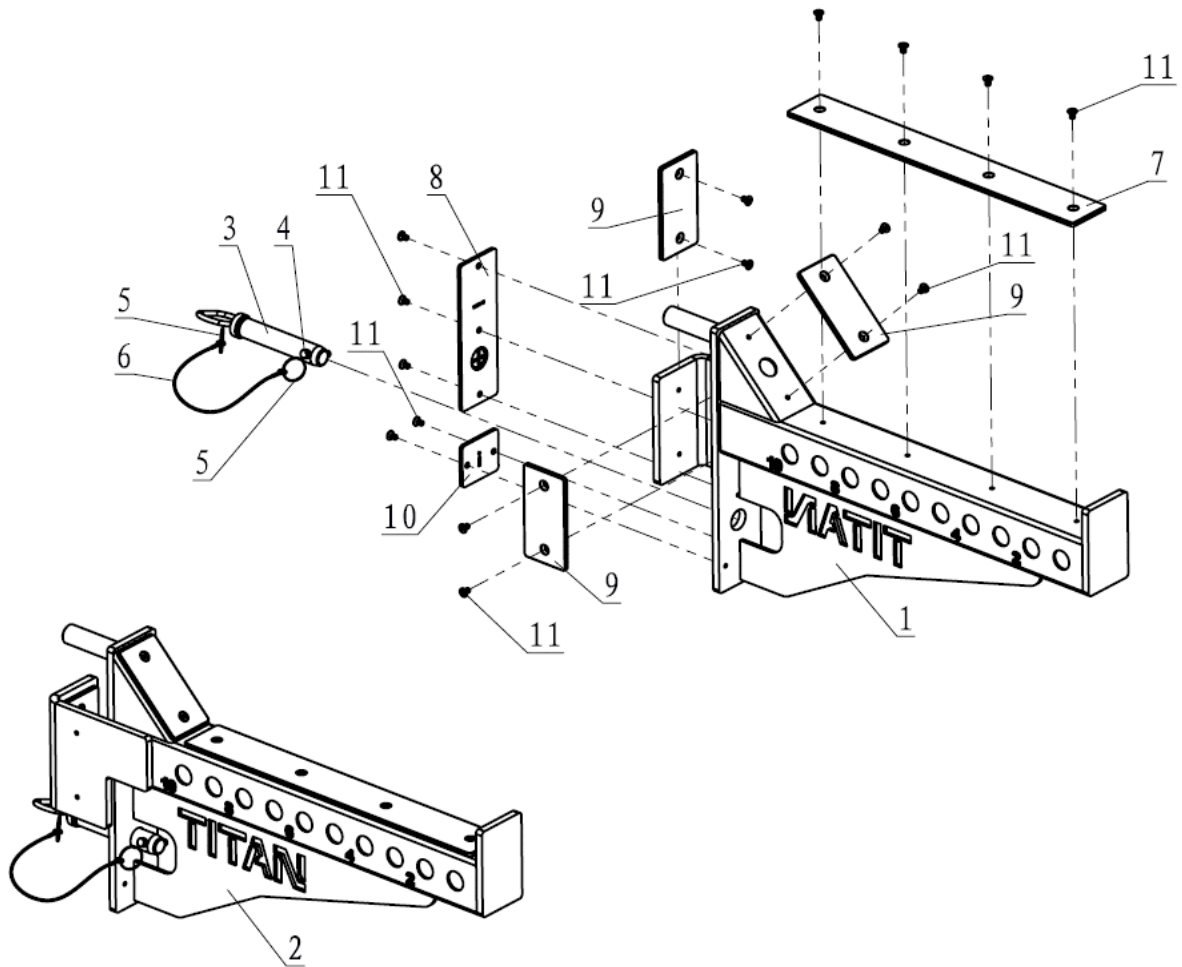


### Operator's Manual



Read the Operator's Manual entirely. When you see this symbol, the subsequent instructions and warnings are serious follow without exception. Your life and the lives of others depend on it!

**FULL ASSEMBLY/EXPLODED VIEW/ FULL PARTS LIST**



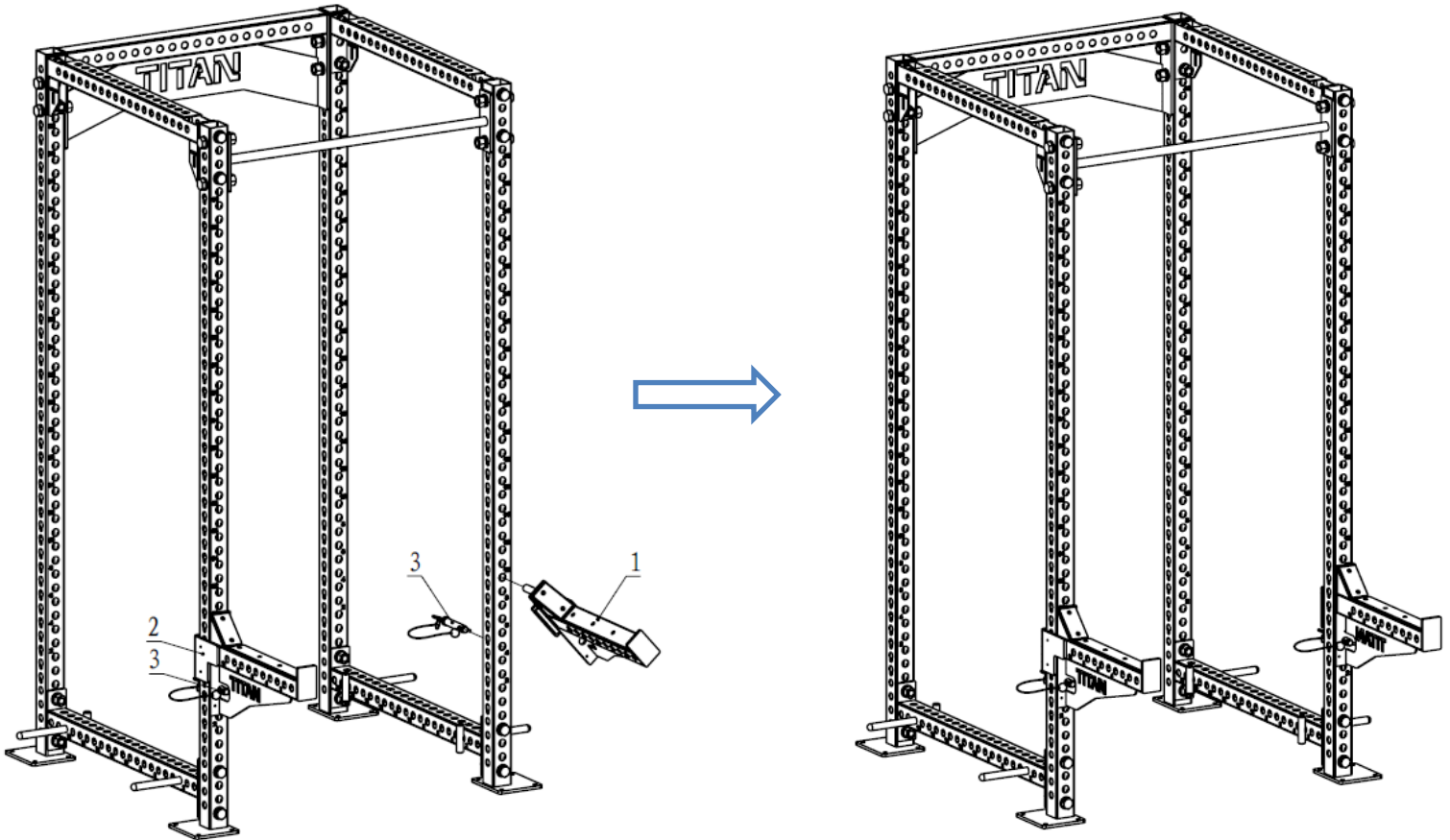
KEY	DESCRIPTION	QTY	KEY	DESCRIPTION	QTY
(1)	LEFT SUPPORT ARM	1	(7)	PLASTIC PLATE 475*65*5	2
(2)	RIGHT SUPPORT ARM	1	(8)	PLASTIC PLATE 205*68*5	2
(3)	HITCH PIN $\Phi 30 * \Phi 25 * 142$	2	(9)	PLASTIC PLATE 130*68*5	6
(4)	SMALL PIN $\Phi 11 * \Phi 8 * 50$	2	(10)	PLASTIC PLATE 68*58*5	2
(5)	PULL RING $\Phi 6 * 182$	4	(11)	COUNTERSUNK HEAD SCREW M6*10	30
(6)	CABLE $\Phi 5.5 * \Phi 1.6 * 330$	2			

## ASSEMBLY INSTRUCTIONS

---

### STEP 1

Install the Left Support Arm (1) and Right Support Frame (2) on the Power Rack, using the Hitch Pin (3) are fixed.



## **ACKNOWLEDGEMENT OF RISK AND RELEASE OF LIABILITY**

---

The use of any equipment, including this one, involves the potential risk of injury. Apart from any warranty claim that might be presented for a claimed defect in material or workmanship of the product, you accept and assume full responsibility for any and all injuries, damages (both economic and non-economic), and losses of any type, which may occur, and you fully and forever release and discharge Titan, its insurers, employees, officers, directors, associates, and agents from any and all claims, demands, damages, rights of action, or causes of action, present or future, whether the same be known or unknown, anticipated, or unanticipated, resulting from or arising out of the use of said equipment.

This equipment must be used with care by capable and competent individuals under supervision,

## **TITAN LIMITED WARRANTY: TERMS, EXCLUSIONS AND LIMITATIONS OF REMEDIES**

---

This product comes with a one (1) year limited warranty that can be found at [www.titan.fitness/warranty.html](http://www.titan.fitness/warranty.html) Please review the same for all details regarding the Titan Limited Warranty.

**THE TITAN LIMITED WARRANTY FOUND AT [WWW.TITAN.FITNESS/WARRANTY](http://WWW.TITAN.FITNESS/WARRANTY) IS EXCLUSIVE AND IS IN LIEU OF ALL OTHER WARRANTIES, EXPRESS OR IMPLIED, INCLUDING ANY IMPLIED WARRANTY OF MERCHANTABILITY AND/OR FITNESS FOR A PARTICULAR PURPOSE, EACH OF WHICH IS HEREBY DISCLAIMED.**



NEED HELP? CONTACT US FIRST.

**1-888-410-1503**

[info@titan.fitness](mailto:info@titan.fitness)

[www.titan.fitness](http://www.titan.fitness)

© 2023 Titan Brands