

36" ATV AERATOR WITH WHEEL KIT

36ATVBRv2, ATVBRWK, 36ATVBR-ATVBRWK
191651, 191652, 191654

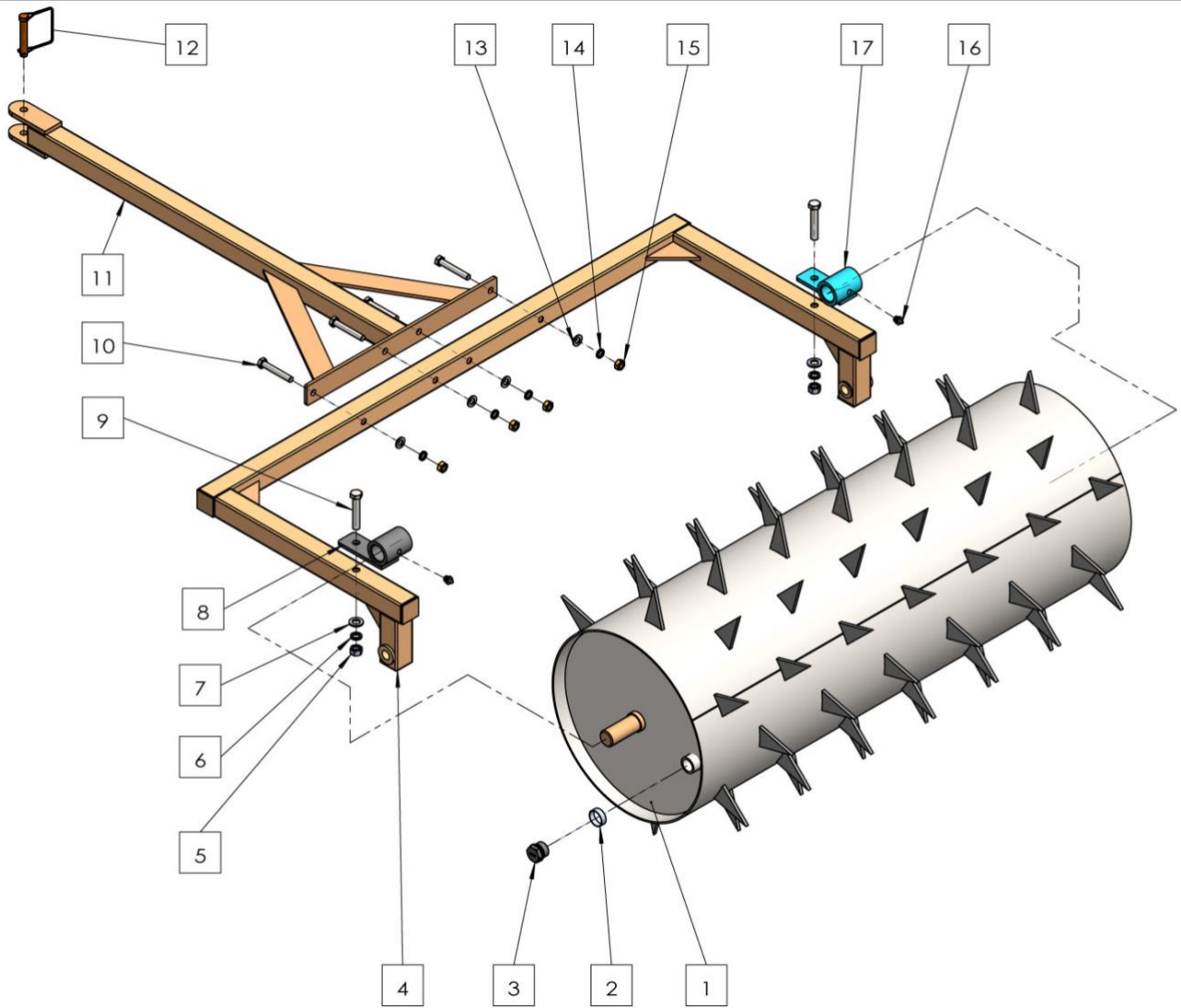


Operator's Manual



Read the Operator's Manual entirely. When you see this symbol, the subsequent instructions and warnings are serious follow without exception. Your life and the lives of others depend on it!

36ATVBRV2 PARTS DIAGRAM / EXPLODED VIEW



KEY	DESCRIPTION	QTY	KEY	DESCRIPTION	QTY
(1)	SPIKE DRUM	1	(10)	HEX BOLT M10X65	4
(2)	PLUG SEAL TAPE	1	(11)	HITCH ASSEMBLY	1
(3)	WATER PLUG	1	(12)	SAFETY PIN	1
(4)	DRUM HOLDER	1	(13)	FLAT WASHER 10	4
(5)	HEX NUT M12	2	(14)	SPRING WASHER 10	4
(6)	SPRING WASHER 12	2	(15)	HEX NUT M10	4
(7)	FLAT WASHER 12	2	(16)	GREASE ZERK	2
(8)	ROTARY SHAFT SLEEVE - RIGHT	1	(17)	ROTARY SHAFT SLEEVE - LEFT	1
(9)	HEX BOLT M12X65	2			

36ATVBRV2 ASSEMBLY INSTRUCTIONS

SETTING UP 36ATVBRV2 (AERATOR DRUM ASSEMBLY)

STEP 1 – SETTING UP SPIKE DRUM

Insert Rotary Shaft Sleeve – Left (17) and Rotary Shaft Sleeve – Right (8) onto each side of the shaft of the Spike Drum (1) and then bolt on the Grease Zerk (16) onto each side of the Rotary Shaft Sleeve.

STEP 2 – SETTING UP THE TOWING MECHANISM

1. Attach Drum Holder (4) to the Rotary Shaft Sleeve – Left & Right (17) & (8) using Hex Bolt M12x65 (9), Flat Washer 12 (7), Spring Washer 12 (6) and Hex Nut M12 (5) on each side. The order of assembling is to push Hex Bolt M12x65 (9) through these parts, and then place Flat Washer 12 (7), Spring Washer 12 (6) and Hex Nut M12 (5) onto the end of the bolt. Fasten and tighten the hardware.
2. Attach Hitch Assembly (11) to the Drum Holder (4) using Hex Bolt M10x50 (10), Flat Washer 10 (13), Spring Washer 10 (14) and Hex Bolt M10 (15). The order of assembling is to push Hex Bolt M10x50 (10) through these parts, and then place Flat Washer 10 (13), Spring Washer 10 (14) and Hex Nut M10 (15) onto the end of the bolt. Fasten and tighten the hardware.

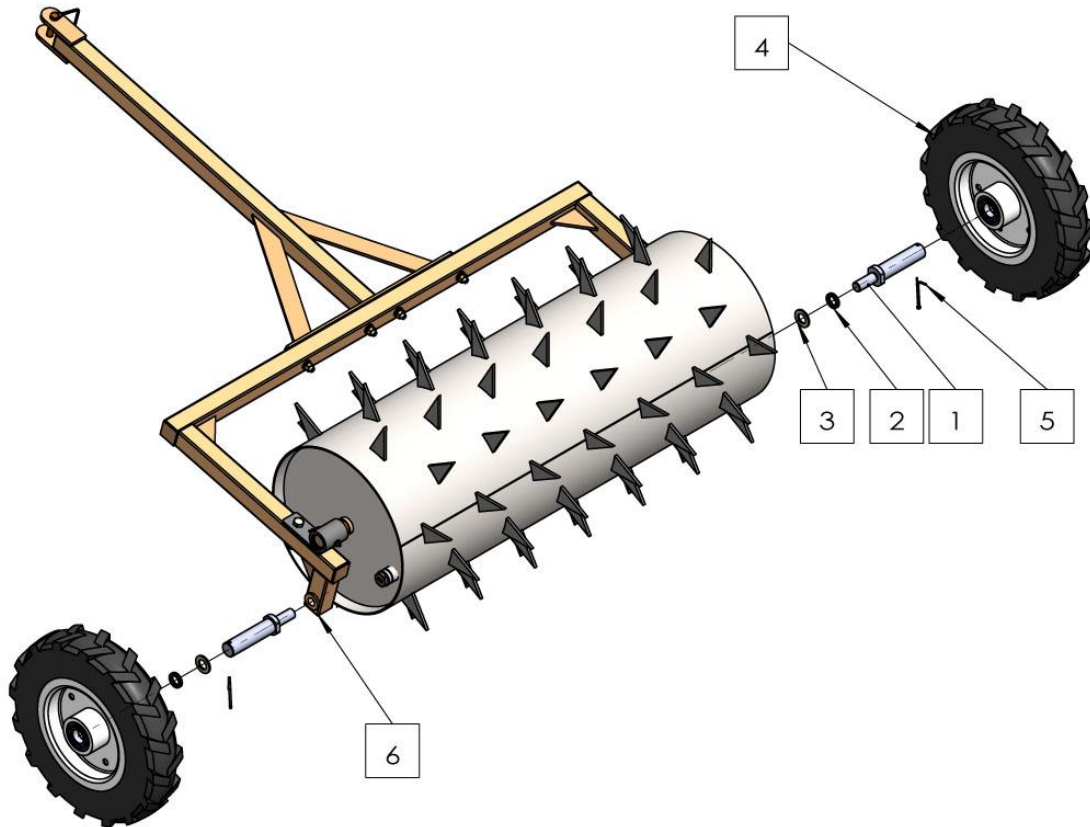
STEP 3 – FILLING WATER TO SPIKE DRUM

1. Turn the Spike Drum (1) to a position that the water inlet is at the top point and then fully fill the drum with water.
2. Wind the Water Plug (3) with Plug Seal Tape for at least 5 wounds to prevent leakage, and then tighten the Water Plug (3) onto the water inlet of the drum.
3. Attach the Hitch Assembly (11) to your ATV using safety Pin (12).

ATVBRWK PARTS DIAGRAM AND ASSEMBLY INSTRUCTIONS

SETTING UP ATVBRWK (WHEEL KIT)

NOTE: The Wheel Kit is sold as optional accessories.



KEY	DESCRIPTION	QTY	KEY	DESCRIPTION	QTY
(1)	WHEEL SHAFT	2	(4)	TIRE/WHEEL ASSY	2
(2)	SPRING WASHER 20	2	(5)	COTTER PIN 4X63	2
(3)	FLAT WASHER 20	2	(6)	36ATVBRV2	1

1. Insert Flat Washer 20 (3) and Spring Washer 20 (2) onto Wheel Shaft (1).
2. Attach the Wheel Shaft (1) into the drum holder of the 36ATVBRV2 (6) by turning it with a wrench and tighten. Do this for both left and right sides.
3. Insert the Tire/Wheel Assy (4) into the Wheel Shaft (1), and lock the Tire/Wheel Assy (4) with Cotter Pin 4x63 (5). Do this for both left and right sides.

ACKNOWLEDGEMENT OF RISK AND RELEASE OF LIABILITY

The use of any equipment, including this one, involves the potential risk of injury. Apart from any warranty claim that might be presented for a claimed defect in material or workmanship of the product, you accept and assume full responsibility for any and all injuries, damages (both economic and non-economic), and losses of any type, which may occur, and you fully and forever release and discharge Titan, its insurers, employees, officers, directors, associates, and agents from any and all claims, demands, damages, rights of action, or causes of action, present or future, whether the same be known or unknown, anticipated, or unanticipated, resulting from or arising out of the use of said equipment.

This equipment must be used with care by capable and competent individuals under supervision, if necessary.

WARNING



Do not overfill! Mower should be level when checking oil in gear box.



some activities might be able to cause electric shock



Sharp objects may be involved.
Use protective cover during maintenance.

TITAN LIMITED WARRANTY: TERMS, EXCLUSIONS AND LIMITATIONS OF REMEDIES

This product comes with a one (1) year limited warranty that can be found at www.palletforks.com/warranty.html. Please review the same for all details regarding the Titan Limited Warranty.

THE TITAN LIMITED WARRANTY FOUND AT WWW.PALLETFORKS.COM/WARRANTY.HTML IS EXCLUSIVE AND IS IN LIEU OF ALL OTHER WARRANTIES, EXPRESS OR IMPLIED, INCLUDING ANY IMPLIED WARRANTY OF MERCHANTABILITY AND/OR FITNESS FOR A PARTICULAR PURPOSE, EACH OF WHICH IS HEREBY DISCLAIMED.



NEED HELP? CONTACT US FIRST.

1-800-605-7595

info@palletworks.com
www.palletforks.com

© 2023 Titan Brands