

# 9.5 FT ALUMINUM WHEELCHAIR ENTRY RAMP

---

WCER9.5\_H-WCER9.5\_R, WCER9.5\_R, WCER9.5\_H,  
48WCER9.5\_R-WCER9.5\_H, 48WCER9.5\_R



## Operator's Manual



Read the Operator's Manual entirely. When you see this symbol, the subsequent instructions and warnings are serious follow without exception. Your life and the lives of others depend on it!

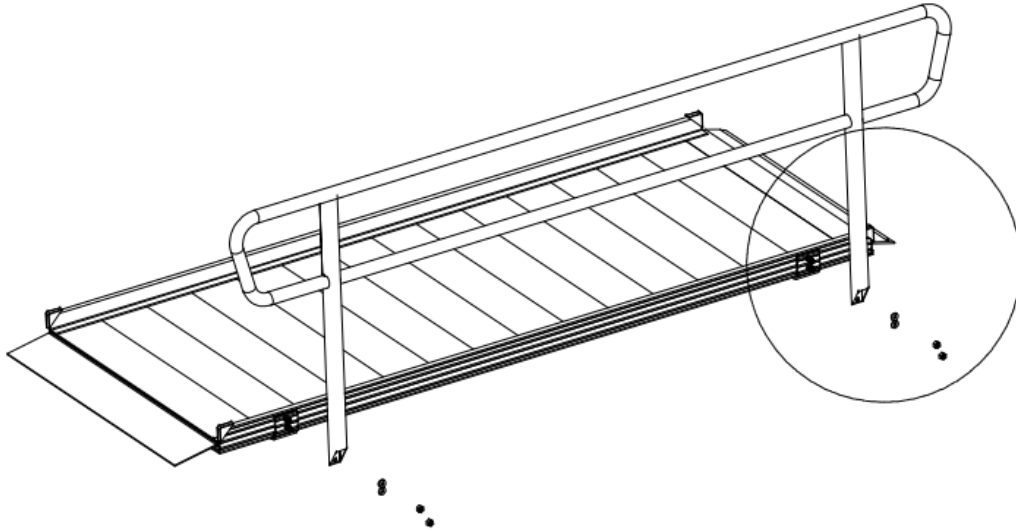
## NOTES AND WARNINGS FROM TITAN

---

- **⚠ RATED LOAD: 850 LB NEVER EXCEED RATED LOAD**
- ⚠ Do not use ramp if the top lip transition plate is not secured to a structurally sufficient landing.
- ⚠ Avoid dragging ramp. This may cause damage and may shorten useful life.
- ⚠ Always exercise caution when using a ramp.
- ⚠ Ensure both top and bottom transition plates are properly supported by level, stable surfaces.
- ⚠ Ensure supporting surfaces can support a minimum of 850 lbs.
- ⚠ Ensure sufficient maneuvering room is available at both ends of the ramp to assure safe travel when entering and exiting the ramp.
- ⚠ Ramp will conduct heat rapidly. Do not place on or near open flame or hot objects as burns may result when using or handling.
- ⚠ If ramp is exposed to heat, hot weather, or direct sunlight, use gloves when handling.
- ⚠ Use extreme caution during freezing temperatures – moisture on the ramp can easily turn to ice.
- ⚠ Ramps reflect light. Use sunglasses, reposition ramp, or paint walking surface with flat-finish light grey metal primer to minimize unsafe glare during use (use of darker paint/premier will increase heat buildup of ramp during warm climatic conditions).
- ⚠ Use only if ice, snow, wet leaves and/or other debris (that may decrease traction and increase the risk of slipping) have been removed from ramp.
- ⚠ Use extreme caution when wet.
- ⚠ If angle or traction conditions are deemed unsafe, DO NOT USE ramp!
- ⚠ Inspect ramp regularly for any damage, including bending and cracked or broken welds. If any part of the ramp is unstable, damaged, or otherwise defective, DO NOT USE!
- ⚠ This ramp will conduct electricity. Do not use or touch around live wiring or during electrical storms.
- ⚠ This ramp is intended for people and mobility equipment only. Do not use to transport freight.
- ⚠ Ramp is for residential use only. Do not use in commercial applications.
- ⚠ Use ramp only with a qualified helper.
- ⚠ Always use your lap belt.
- ⚠ Do not run, jump, or play on or around ramp, including climbing on or between the handrails.
- ⚠ Do not use handrails or ramp to support planter's decorations, lights, etc.
- ⚠ An incline chart is provided at the end of this document but is intended as a guideline only. It is important you refer to your equipment's (wheelchair or scooter) Owner Guide for the proper degree of incline/decline and chair direction before using ramp. Never exceed its recommendations.
- ⚠ If any part of the ramp is damaged or loose, DO NOT USE UNTIL REPAIRS CAN BE MADE!
- ⚠ Read and follow all safety and operating instructions provided by the manufacturer of the equipment that the ramp will be used with.

## HANDRAIL PARTS DIAGRAM / EXPLODED VIEW

---



KEY	DESCRIPTION	QTY
(1)	HANDRAIL	2
(2)	END BRACKET	4
(3)	WASHER	16
(4)	STUDS IN END BRACKET	8
(5)	LOCK NUT IN END BRACKET	8
(6)	LONG HEX BOLT	8

### ASSEMBLY INSTRUCTIONS

---

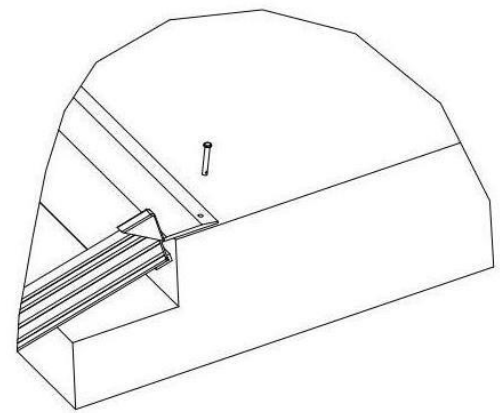
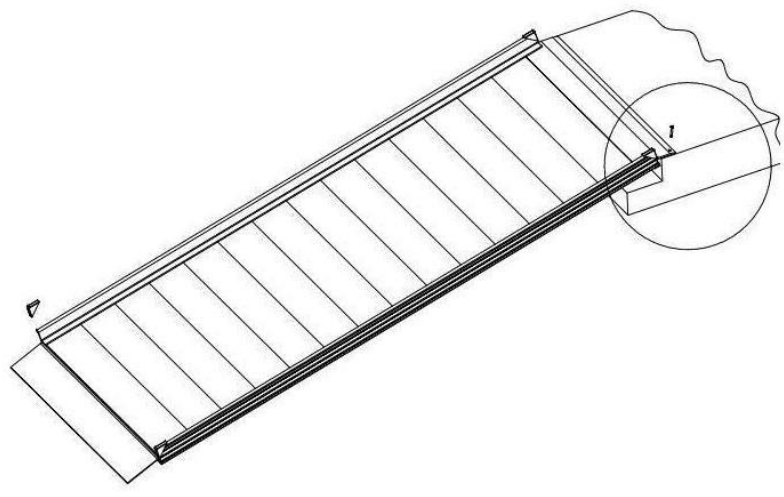
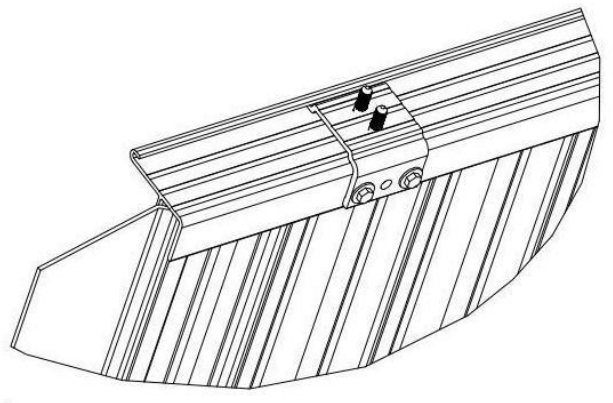
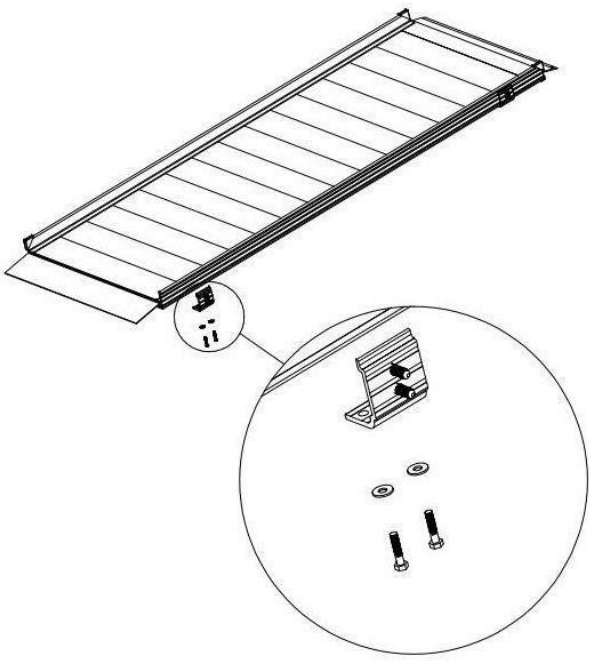
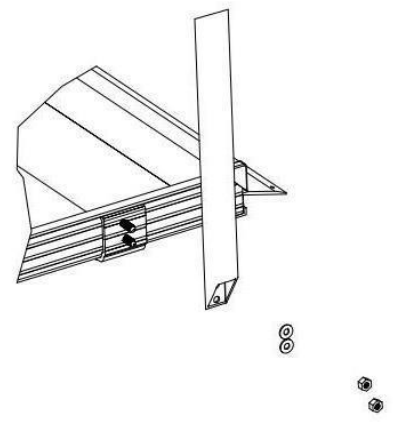
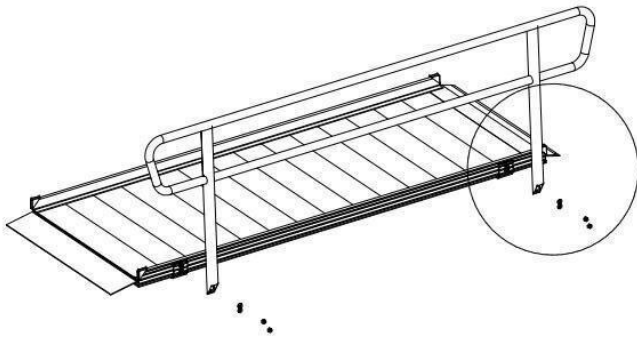
#### ATTENTION INSTALLER & END USER:

For residential use only!

- **RATED LOAD: 850 LB | NEVER EXCEED RATED LOAD.**
- Read all instructions, including MAINTENANCE AND SAFETY, prior to ramp assembly.
- Please keep this ASSEMBLY MANUAL for future reference.

#### TOOLS TYPICALLY REQUIRED:

- 1/2\* socket or 1/2\* wrench
- 1/4\* drill bit (1/4 masonry drill bit when installing to concrete porch, step, etc.)
- Rubber mallet
- Power drill
- Digging tools (if an obstacle needs to be removed)

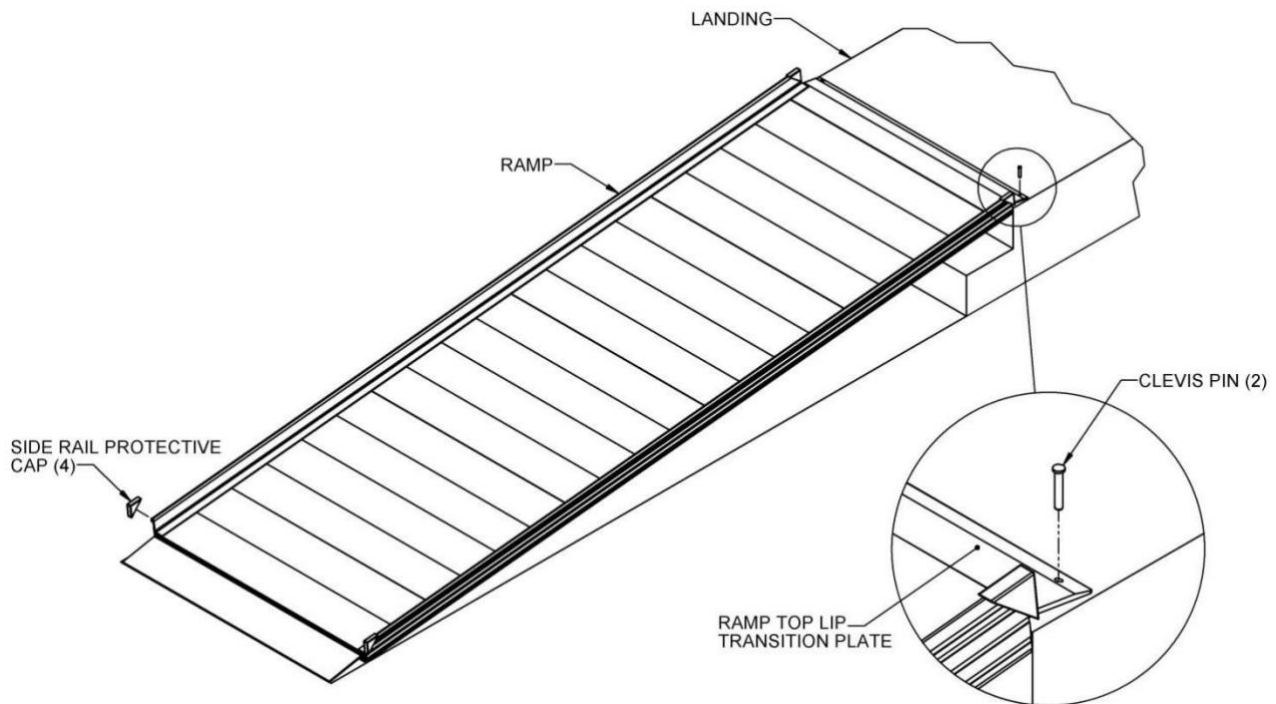


## 1. FASTENING THE RAMP TO THE LANDING.

\*\*\*The gateway ramp's top lip transition plate must be fastened to the landing before use.

\*\*\*If your ramp includes handrails, it is necessary to install the end brackets on the ramp before fastening the ramp to the landing (refer to SECTION 4).

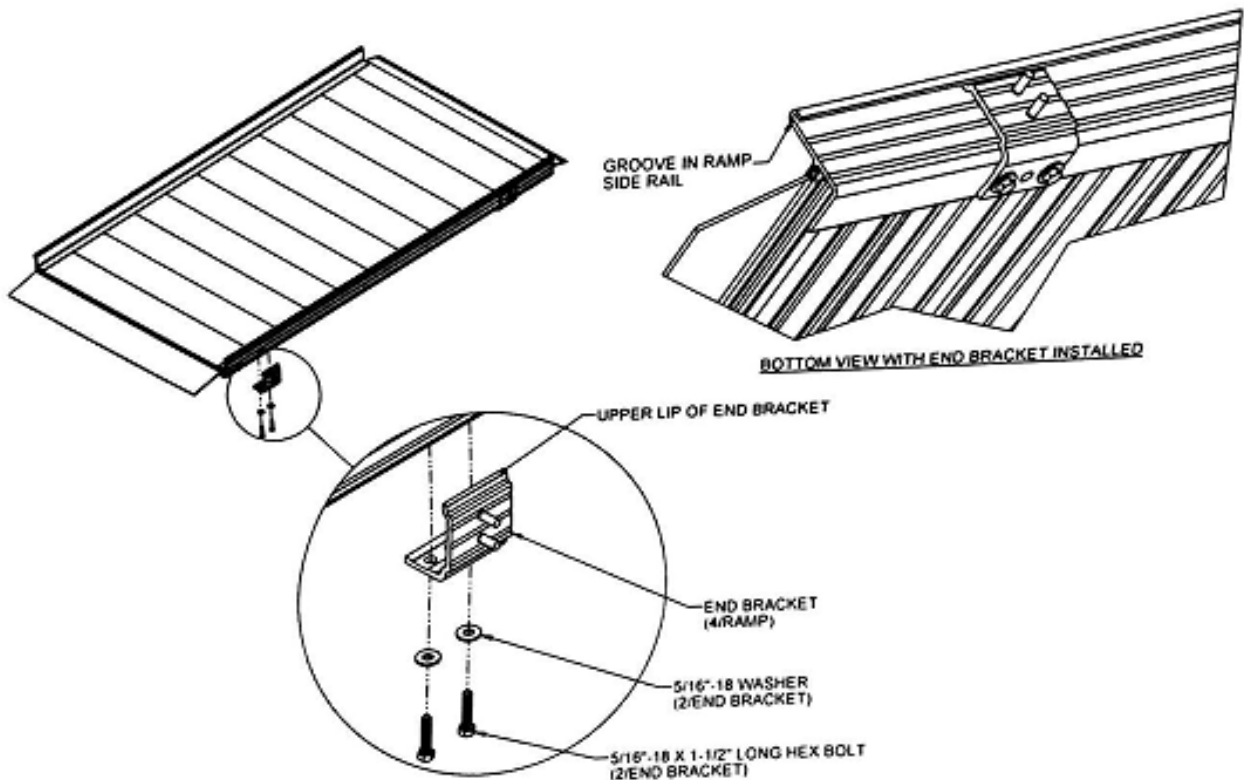
- A. Place the ramp's top lip transition plate so it extends onto the landing as far as possible.
- B. **IF RESTING ON A WOODEN LANDING:**
  - i. Fasten top lip transition plate by installing one  $\frac{1}{4}$ "x1" long self-drilling, stainless steel wood screw (not supplied) through each hole.
- C. **IF RESTING ON CONCRETE LANDING:**
  - i. Use the two pre-drilled holes in the top lip transition plate as a template to mark the positions to drill.
  - ii. Using a  $\frac{1}{4}$ " masonry bit, drill two holes at the marked locations. Drill to a depth specified by the pin drive anchor manufacturer's instructions.
  - iii. Align the top lip transition plate over the drilled holes
  - iv. Install  $\frac{1}{4}$ "x1 $\frac{1}{2}$ " pin drive concrete anchors (not supplied) into the holes of the upper transition per the pin drive concrete anchor manufacturer's instructions.
- D. **TEMPORARY INSTALLATION:**
  - i. Use the two pre-drilled holes in the top lip transition plate as a template to mark the positions and drill two  $\frac{1}{4}$ " holes at least 1-1/2" deep.
  - ii. After drilling, make sure that the holes are free of any residue and/or debris.
  - iii. Insert the supplied clevis pins through the holes in the top lip transition plate and extending into the holes drilled in the previous step. (FIG.3)
- E. Install protective caps over side rail corners by placing one cap on each side at both the top and bottom of the ramp. If necessary, use construction adhesive to bond the cap to the ramp. (FIG.3)



## 2. INSTALLING RAMP HANDRAILS

- A. Turn the ramp section upside down on a flat surface. Do this on cardboard or a lawn so that the ramp is not damaged (scratched or dented).
- B. Locate the two Ramp Handrail End Bracket Pairs (MRHBPR) and install one end bracket at each outside corner of the ramp using two hex bolts and washers into the two threaded inserts at the end of the ramp. As shown in FIG.4, the upper lip of the end bracket should extend into the groove under the ramp side rail.
- C. Turn the ramp over to the upright position.

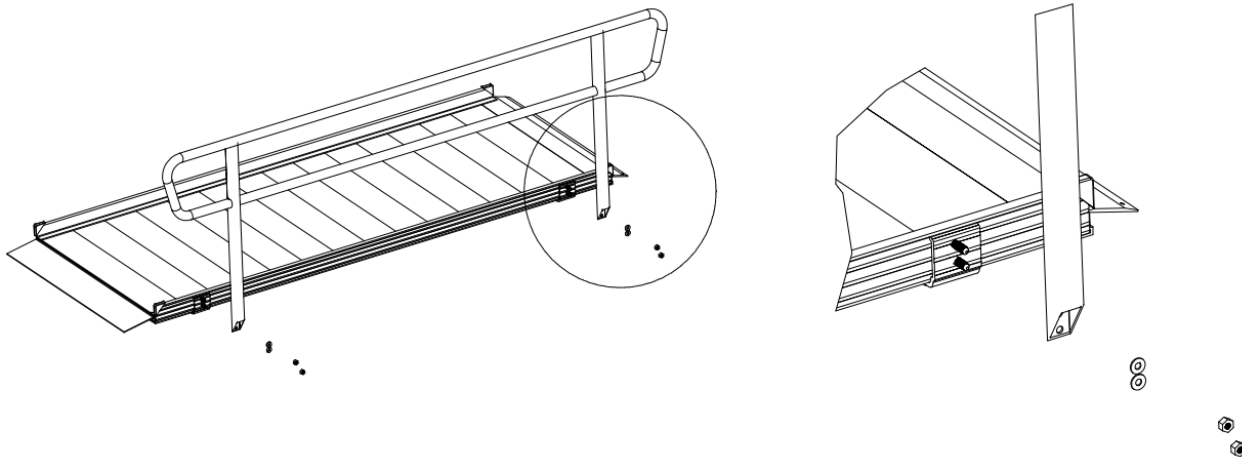
\*\*\*It is recommended you proceed with fastening the ramp to the landing (refer to SECTION 3) before continuing to install the ramp handrails.



**FIG. 4**

- D. The vertical posts of the handrails each have two holes that correspond with the studs on end brackets (installed in previous steps). The side including the holes is installed adjacent to the end brackets.
- E. Attach handrails to these studs using two washers and locknuts per handrail post (FIG.5).
- F. Use the plastic end caps provided on all open ends on the handrails (FIG. 6). Push them on by hand or use a rubber mallet. If necessary, use construction adhesive to bond the end cap to the ramp handrail.

**FIG.5**



### **3. FINAL STEPS**

#### **A. TOUCH-UP ARCHITECTURALLY FINISHED HANDRAILS:**

- i. Use sandpaper (180 grit or equivalent) for touching up scratches on architecturally finished handrails.
- ii. Sand in direction of the grain as shown (FIG.7).

\*\*\*Do not use on painted or powder coated surfaces.

#### **B. FINAL CHECKS:**

- i. Ensure that all fasteners are in place and secure.
- ii. Walk on the installed ramp checking for any undue movement.
- iii. Remove any debris and metal chips.
- iv. Check that all handrail ends are covered with end caps.

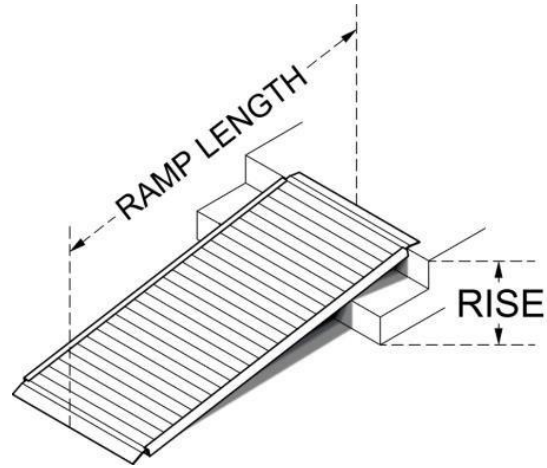
#### **C. MAINTENANCE AND SAFETY**

- i. Proper maintenance and upkeep to the ramp is vital to the safety of people using the ramp and the longevity of the product.
- ii. Periodically check the ramp for damage and tighten any loose fasteners to ensure safety.
- iii. At all times, keep the ramp clear of dirt, leaves, and other debris which may accumulate on the surface. Remove accumulations and sweep ramp surface clean prior to use. If needed, use a damp cloth or soft brush with non-alkaline detergent and water. Rinse well and use extra caution when the ramp surface is wet.
- iv. If ramp surface is covered with ice and/or snow, remove before use. Snow accumulation should be shoveled, and the tread surface swept clean. Magnesium chloride salt substitute may be used to melt snow or ice accumulation on the ramp; however, after the snow and/or ice threat has cleared, be sure to clean the ramp surface with non-alkaline detergent and water to remove Magnesium Chloride residue. Rinse well and use extra caution when the ramp surface is wet.

## DETERMINING PROPER RAMP LENGTH

### TO ESTABLISH THE PROPER RAMP LENGTH:

1. Determine the incline that your chair is designed to climb.
2. Measure the rise (distance from the top step, porch, van, etc. to the ground).
3. Refer to Incline Chart to find proper ramp length.
4. At any incline, use ramp only with a qualified helper.



**IMPORTANT:** Refer to your equipment's (wheelchair or scooter) Owner Guide for the proper degree of incline/decline and chair direction before attempting ramp use. Never exceed its recommendations.

		RAMP LENGTH								
		2'	3'	4'	5'	6'	7'	8'	9'	10'
RISE	3"	7.2°	4.8°	3.6°	2.9°	2.4°	2.0°	1.8°	1.6°	1.4°
	4"	9.6°	6.4°	4.8°	3.8°	3.2°	2.7°	2.4°	2.1°	1.9°
	5"	12°	8.0°	6.0°	4.8°	4.0°	3.7°	3.0°	2.7°	2.4°
	6"	14.5°	9.6°	7.2°	5.7°	4.8°	4.1°	3.6°	3.2°	2.9°
	7"		11.2°	8.4°	6.7°	5.6°	4.8°	4.2°	3.7°	3.3°
	8"		12.8°	9.6°	7.7°	6.4°	5.5°	4.8°	4.2°	3.8°
	9"		14.5°	10.8°	8.6°	7.2°	6.2°	5.4°	4.8°	4.3°
	10"			12.0°	9.6°	8.0°	6.8°	6.0°	5.3°	4.8°
	12"			14.5°	11.5°	9.6°	8.2°	7.2°	6.4°	5.7°
	14"				13.5°	11.2°	9.6°	8.4°	7.4°	6.7°
	16"					12.8°	11.0°	9.6°	8.5°	7.7°
	18"					14.5°	12.4°	10.8°	9.6°	8.6°
	20"						13.8°	12.0°	10.7°	9.6°
	22"							13.2°	11.8°	10.6°
	24"							14.5°	12.8°	11.5°
	26"								13.9°	12.5°
28"								15.0°	13.5°	
30"									14.5°	



## ACKNOWLEDGEMENT OF RISK AND RELEASE OF LIABILITY

---

The use of any equipment, including this one, involves the potential risk of injury. Apart from any warranty claim that might be presented for a claimed defect in material or workmanship of the product, you accept and assume full responsibility for any and all injuries, damages (both economic and non-economic), and losses of any type, which may occur, and you fully and forever release and discharge Titan, its insurers, employees, officers, directors, associates, and agents from any and all claims, demands, damages, rights of action, or causes of action, present or future, whether the same be known or unknown, anticipated, or unanticipated, resulting from or arising out of the use of said equipment.

This equipment must be used with care by capable and competent individuals under supervision, if necessary.

## WARNING

---



Heavy object. Use lifting aids and proper lifting techniques when moving.



Choking hazard. Small parts – Please exercise caution if small children or pets are present.



Sharp objects may be involved. Use precaution and protection.

## TITAN LIMITED WARRANTY: TERMS, EXCLUSIONS AND LIMITATIONS OF REMEDIES

---

This product comes with a one (1) year limited warranty that can be found at [www.titanramps.com/warranty.html](http://www.titanramps.com/warranty.html). Please review the same for all details regarding the Titan Limited Warranty.

**THE TITAN LIMITED WARRANTY FOUND AT [WWW.TITANRAMPS.COM/WARRANTY.HTML](http://WWW.TITANRAMPS.COM/WARRANTY.HTML) IS EXCLUSIVE AND IS IN LIEU OF ALL OTHER WARRANTIES, EXPRESS OR IMPLIED, INCLUDING ANY IMPLIED WARRANTY OF MERCHANTABILITY AND/OR FITNESS FOR A PARTICULAR PURPOSE, EACH OF WHICH IS HEREBY DISCLAIMED.**



**NEED HELP? CONTACT US FIRST.**

**1-800-605-7555**

[info@titanramps.com](mailto:info@titanramps.com)

[www.titanramps.com](http://www.titanramps.com)

© 2023 Titan Brands