

# HITCH MOUNTED MOBILITY CARRIER

---

MC400, MC500

332100, 332200



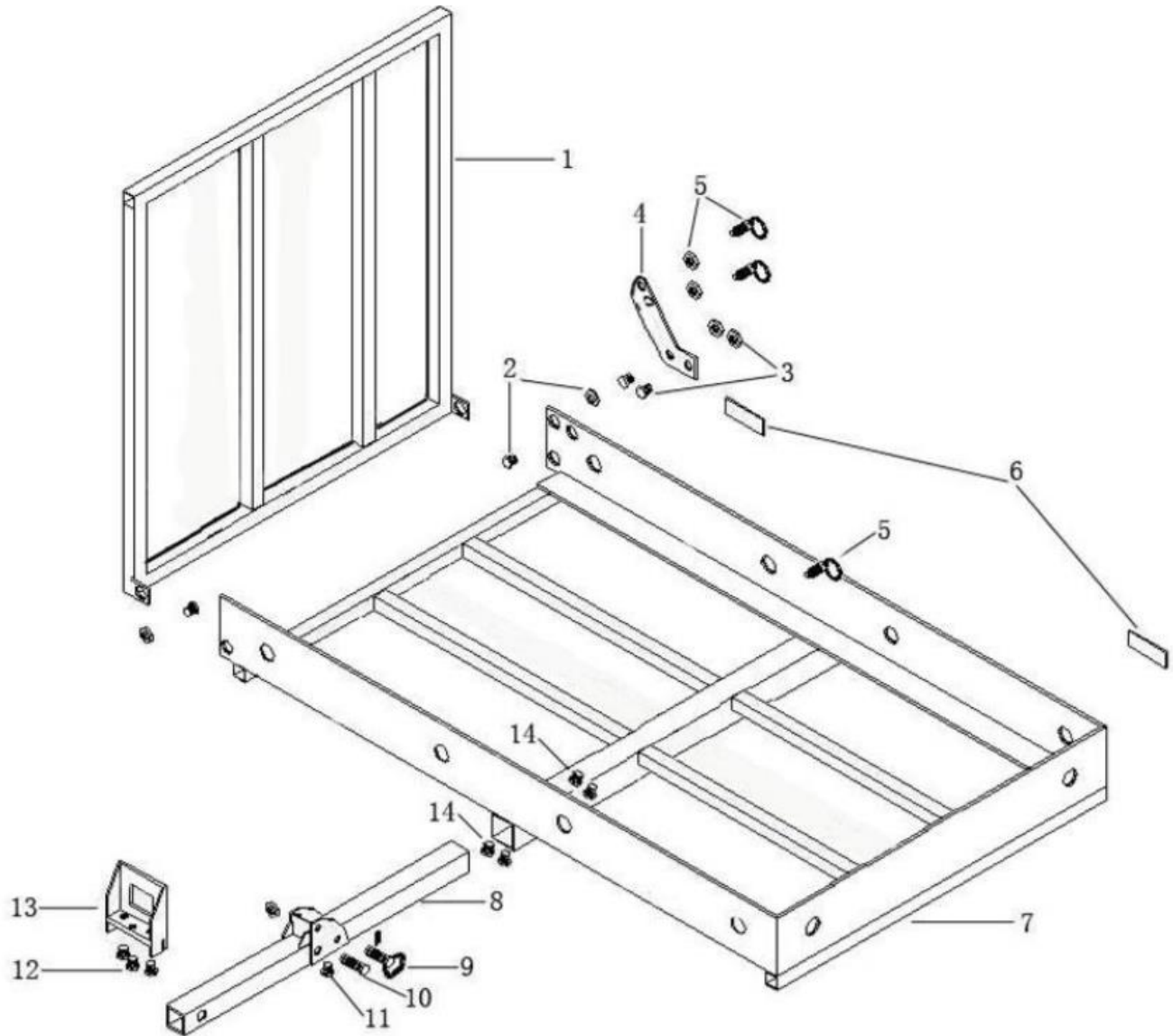
## Operator's Manual



Read the Operator's Manual entirely. When you see this symbol, the subsequent instructions and warnings are serious follow without exception. Your life and the lives of others depend on it!

**PARTS DIAGRAM / EXPLODED VIEW – MC400**

---



**SPECIFICATIONS:**

- Weight Capacity: 400 lb.
- Not for use with 1.25-inch hitches
- Maximum Loading Height - Height suggests to 1 meter

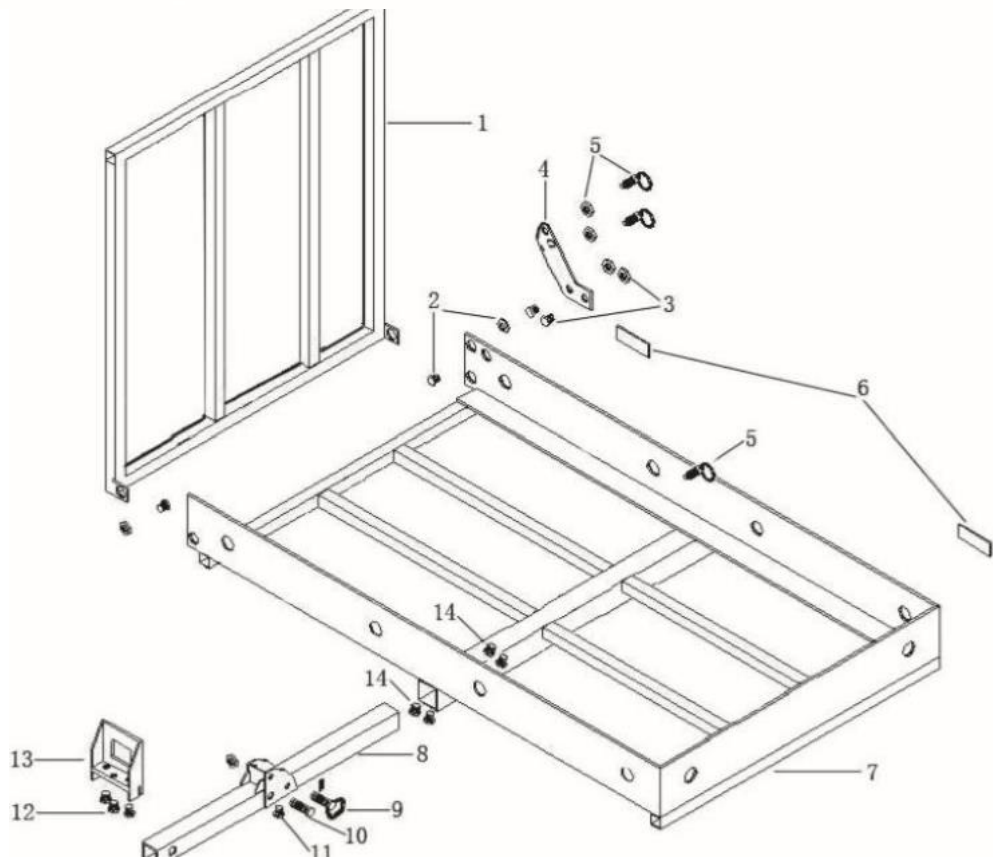
**PARTS DIAGRAM / EXPLODED VIEW – MC400**

---

<b>KEY</b>	<b>BOX</b>	<b>DESCRIPTION</b>	<b>QTY</b>
(1)	1	RAMP	1
(2)	1	RAMP BOLT SETS	2
(3)	1	CARRIAGE BOLT SETS	2
(4)	1	RAMP BRACKET	1
(5)	1	SPRING PULL PIN	3
(6)	1	REFLECTOR	2
(7)	1	CARRIER TRAY	1
(8)	1	HITCH	1
(9)	1	HITCH PIN	2
(10)	1	BOLT M12x70	1
(11)	1	ADJUSTMENT BOLT	1
(12)	1	BOLT M10x30	3
(13)	1	ANTI-TILT LOCK BRACKET	1
(14)	1	LOCK BOLT	4

# PARTS DIAGRAM/EXPLODED VIEW – MC500

---



**PARTS DIAGRAM / EXPLODED VIEW – MC500**

---

<b>KEY</b>	<b>BOX</b>	<b>DESCRIPTION</b>	<b>QTY</b>
(1)	1	RAMP	1
(2)	1	RAMP BOLT ASSEMBLY	2
(3)	1	CARRIAGE BOLT SETS	2
(4)	1	RAMP BRACKET	1
(5)	1	SPRING PULL PIN	3
(6)	1	REFLECTOR	2
(7)	1	CARRIER TRAY	1
(8)	1	RECEIVER BAR (GEAR)	1
(9)	1	HITCH PIN	2
(10)	1	BOLT M12x70	1
(11)	1	ADJUSTMENT BOLT	1
(12)	1	BOLT M10x30	3
(13)	1	ANTI-TILT LOCK BRACKET	1
(14)	1	LOCK BOLT	4

## WARNING!

**A warning indicates a potentially dangerous situation, which if not avoided, could result in death or serious injury.**

1. Read all instructions and save them for future reference.
2. Follow all warnings and instructions marked on the product.
3. Do not ride any vehicle while loading onto the carrier.
4. Do not stand on the carrier.
5. Never exceed vehicle tongue weight ratings
6. Always store the carrier in a safe place.
7. Improper use, storage or installation of carrier could result in death or serious injury.
8. Do not put the product on any kinds of trailers
9. Carrying capacity is limited to 500lbs max.

## SPECIFICATIONS

- Weight Capacity: 500 lb.
- Receiver Size – 2"
- Maximum Loading Height - **Height suggest to 1 meter**

## UNPACKING

---

When unpacking, make sure that item is intact and undamaged. If any parts are missing or broken, please call the distributor as soon as possible.

## ACKNOWLEDGEMENT OF RISK AND RELEASE OF LIABILITY

---

The use of any equipment, including this one, involves the potential risk of injury. Apart from any warranty claim that might be presented for a claimed defect in material or workmanship of the product, you accept and assume full responsibility for any and all injuries, damages (both economic and non-economic), and losses of any type, which may occur, and you fully and forever release and discharge Titan, its insurers, employees, officers, directors, associates, and agents from any and all claims, demands, damages, rights of action, or causes of action, present or future, whether the same be known or unknown, anticipated, or unanticipated, resulting from or arising out of the use of said equipment.

This equipment must be used with care by capable and competent individuals under supervision, if necessary.

## TITAN LIMITED WARRANTY: TERMS, EXCLUSIONS AND LIMITATIONS OF REMEDIES

---

This product comes with a one (1) year limited warranty that can be found at [www.titanramps.com/warranty.html](http://www.titanramps.com/warranty.html). Please review the same for all details regarding the Titan Limited Warranty.

**THE TITAN LIMITED WARRANTY FOUND AT [WWW.TITANRAMPS.COM/WARRANTY.HTML](http://WWW.TITANRAMPS.COM/WARRANTY.HTML) IS EXCLUSIVE AND IS IN LIEU OF ALL OTHER WARRANTIES, EXPRESS OR IMPLIED, INCLUDING ANY IMPLIED WARRANTY OF MERCHANTABILITY AND/OR FITNESS FOR A PARTICULAR PURPOSE, EACH OF WHICH IS HEREBY DISCLAIMED.**



**NEED HELP? CONTACT US FIRST.**

**1-800-605-7555**

[info@titanramps.com](mailto:info@titanramps.com)

[www.titanramps.com](http://www.titanramps.com)

© 2023 Titan Brands