

ADJUSTABLE HOIST FORKLIFT JIB BOOM CRANE

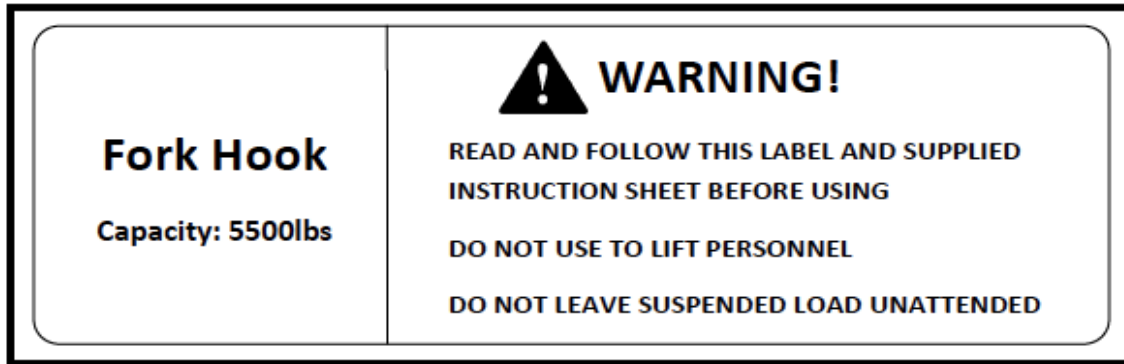
6000 LB LIFT CAPACITY

FMJ3
194118



Operator's Manual

Read the Operator's Manual entirely. When you see this symbol, the subsequent instructions and warnings are serious follow without exception. Your life and the lives of others depend on it!



The Titan Forklift Jib is installed on the forklift by inserting both forks fully into the fork pockets so that the rear of the Jib is against the back of the fork. If equipped with "Fork Pin Tabs", insert locking pins behind the heel of each fork and secure with hair pins. If equipped with a "safety chain", wrap chain around a strong part of the forklift carriage keeping chain as level as possible. Chain angle must not exceed 45°. Take as many wraps as needed to take up the slack, then hook the chain back onto itself making sure the open part of the grab hook is pointing down.

GENERAL PRECAUTIONS

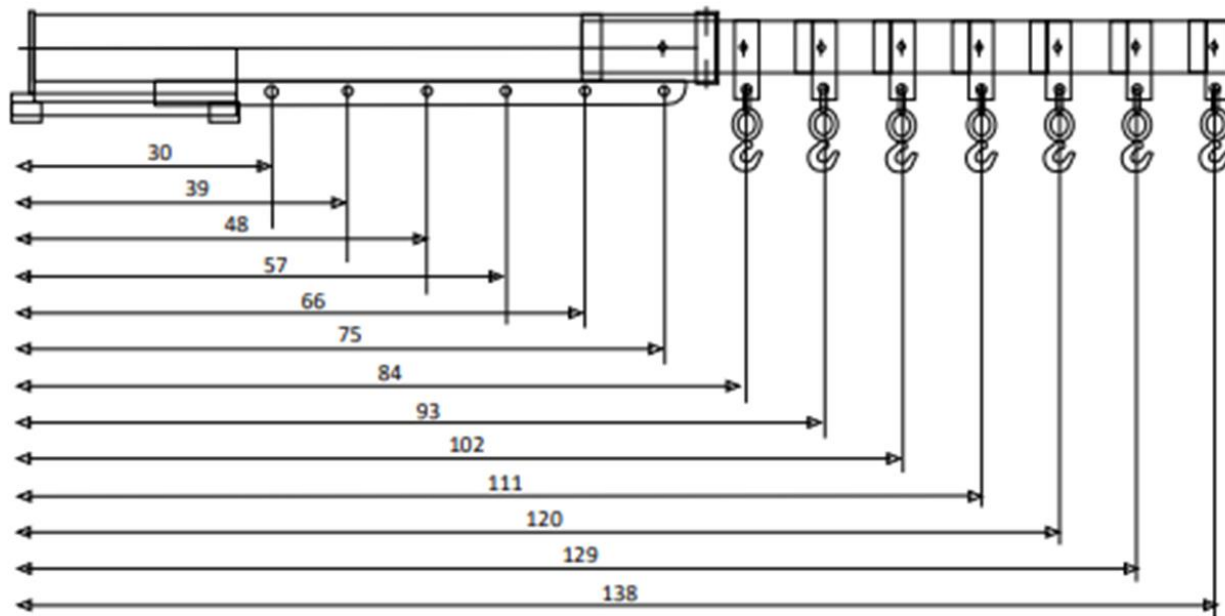
1. Forklift operator must be properly trained and have required certifications.
2. Before using the Jib check to see that it is properly secured to the forklift as described above and that the shackles and hooks are properly secured to the Jib and screw pins are tight.
3. Determine that the loads to be handled are within the capabilities of the forklift. Keep in mind that rated capacities will likely decrease when the boom is in a raised position, or when the mast is tilted forward, or in the case of telehandlers, when the boom is extended.
4. Forks should be level or tipped upward (never down below level) when using the jib.
5. Do not pull loads. Booms designed for vertical lift only.
6. The load should always be carried low and kept from swinging using tag lines as necessary. When a load is raised; extreme caution should be exercised as the forklift is far more vulnerable to tipping with a raised load.
7. Any time the load is raised make sure the forklift is on level, firm footing.
8. Check Jib boom extension lock pin to make sure it is functioning properly. Make sure spring has proper tension to keep pin engaged.
9. Refer to the forklift operator's manual for more information on handling elevated loads as well as information for safe and proper forklift operation.
10. Each time before use check all shackles and hooks, make sure cotter pins are installed properly. And shackle screw pins are tight.
11. Always comply with all local, state, and federal Safety regulations.
12. **DO NOT USE JIB IN ANY WAY TO CARRY OR ELEVATE PERSONNEL!**

FORKLIFT LOAD CAPACITIES

Care must be taken not to exceed the capacity of the forklift. When handling a load with the jib, the load center is moved out away from the standard forklift load center (typically 24") which significantly reduces the lift capacity of the forklift. In addition, the weight of the jib has been added which also further reduces forklift capacity.

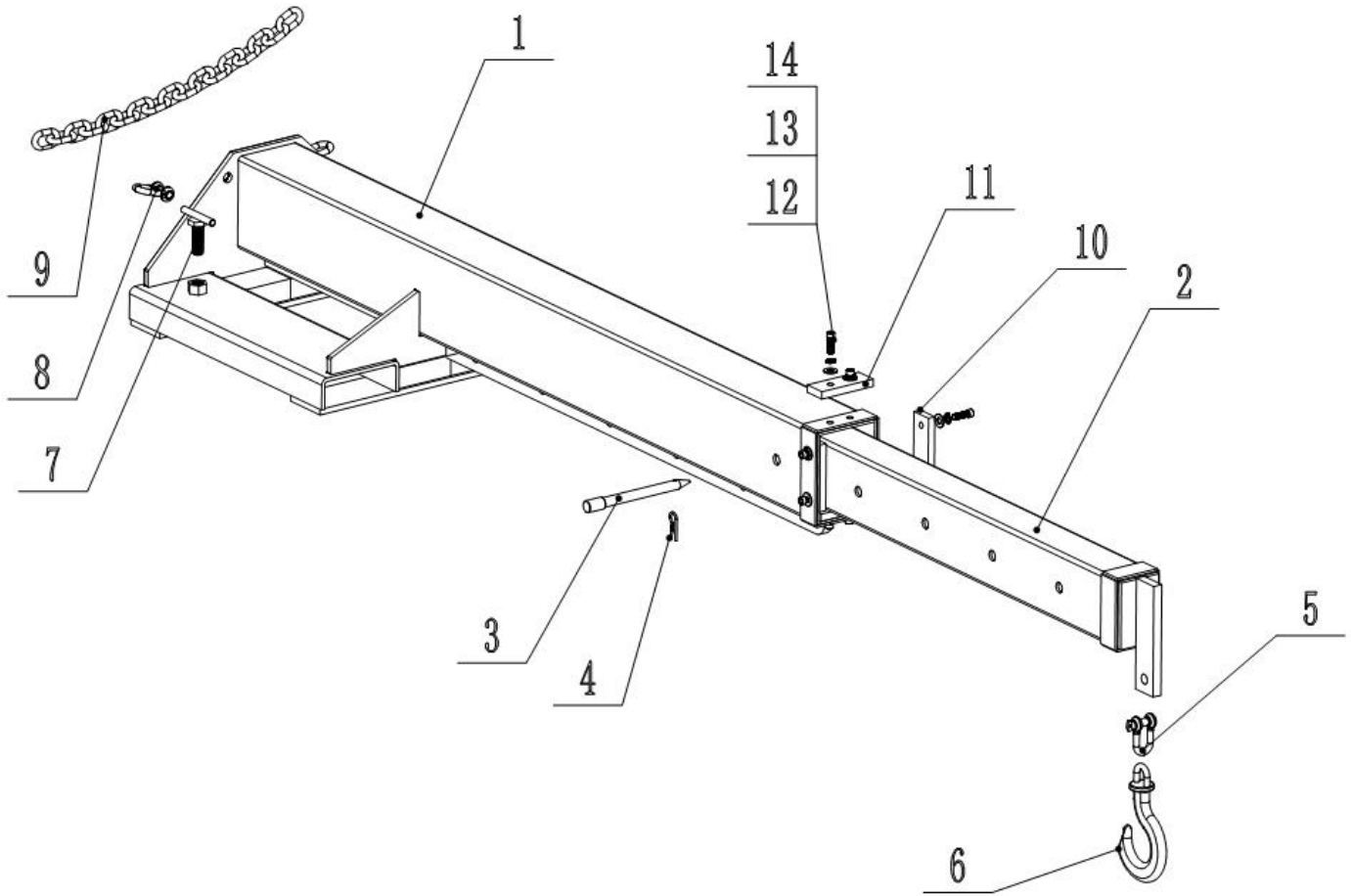
There are two ways to determine the reduced lift capacities when using the Titan Forklift Crane. The most preferable and most accurate is to contact the forklift manufacturer or certified professional engineer for a de-rated load capacity chart. If this is not available, simple foot pound calculations can be made to estimate the reduced load capacities. For example, a forklift that is rated in the desired lift position at 8000 LB (at a 2 ft load center) has a lift capacity of 16000 foot LB. (2 ft X 8000 LB.) To calculate the forklift de-rated capacity when using our Titan Forklift Crane at its maximum extension of 12'3", simply deduct the 2093 foot LB for the weight of the jib (cg of 4.63 ft x 452 LB weight of jib = 2093 ft LB) from the 16000 ft LB and then divide the remainder by the new 12.25 foot load center, which gives us 1135 LB de-rated lift capacity for an 8,000 lb Forklift with the Titan Forklift Crane extended. The chart below shows these reduced capacity calculations for several forklift capacities.

Hook Position	Distance	Horz. CG Inches	<ol style="list-style-type: none"> Determine Forklift Capacity (@ 24" load center) from your forklift's load chart for applicable fork & mast position. Bold figures at top of columns represent your forklift's capacity at the relevant fork & mast position. Read de-rated capacity when using Jib in respective column. 							
			2,000	3,000	4,000	5,000	6,000	8,000	10,000	12,000
1	2'6"	36.31	1057	1857	2657	3457	4257	5857	7457	9057
2	3'3"	36.31	813	1428	2044	2659	3275	4505	5736	6967
3	4'0"	36.31	661	1161	1661	2161	2661	3661	4661	5661
4	4'9"	36.31	556	977	1398	1819	2240	3082	3925	4767
5	5'6"	36.31	480	844	1208	1571	1935	2662	3389	4117
6	6'3"	36.31	423	743	1063	1383	1703	2343	2983	3623
7	7'0"	36.31	377	663	949	1234	1520	2092	2663	3234
8	7'9"	40.20	341	599	857	1115	1373	1889	2405	2921
9	8'6"	42.25	311	546	781	1016	1252	1722	2193	2664
10	9'3"	45.00	285	502	718	934	1150	1583	2015	2448
11	10'0"	48.65	219	419	619	819	1019	1419	1819	2219
12	10'9"	50.00	203	389	576	762	948	1320	1692	2064
13	11'6"	52.17	190	364	538	712	886	1234	1581	1929



Length Positions (Inches)	30	39	48	57	66	75	84	93	102	111	120	129	138
Capacity (lbs)	6614	5070	4112	3457	2983	2624	2339	2112	1927	1770	1638	1523	1429

PARTS DIAGRAM / EXPLODED VIEW



KEY	DESCRIPTION	QTY	KEY	DESCRIPTION	QTY
(1)	BOOM	1	(8)	D- SHACKLE	2
(2)	INNER EXTENSION TUBE	1	(9)	CHAIN	1
(3)	ROD $\Phi 20$	1	(10)	STOP DOG (LONG)	2
(4)	HAIR PIN $\Phi 3*60$	1	(11)	STOP DOG (SHORT)	2
(5)	SHACKLE	2	(12)	BOLT M12*30	8
(6)	HOOK	2	(13)	SPRING WASHER	8
(7)	T-SCREW	2	(14)	FLAT WASHER	8

ASSEMBLY INSTRUCTIONS

- No assembly required. This product is shipped fully assembled.

ACKNOWLEDGEMENT OF RISK AND RELEASE OF LIABILITY

The use of any equipment, including this one, involves the potential risk of injury. Apart from any warranty claim that might be presented for a claimed defect in material or workmanship of the product, you accept and assume full responsibility for any and all injuries, damages (both economic and non-economic), and losses of any type, which may occur, and you fully and forever release and discharge Titan, its insurers, employees, officers, directors, associates, and agents from any and all claims, demands, damages, rights of action, or causes of action, present or future, whether the same be known or unknown, anticipated, or unanticipated, resulting from or arising out of the use of said equipment.

This equipment must be used with care by capable and competent individuals under supervision, if necessary.

WARNING



Do not overfill! Mower should be level when checking oil in gear box.



some activities might be able to cause electric shock



Sharp objects may be involved.
Use protective cover during maintenance.

TITAN LIMITED WARRANTY: TERMS, EXCLUSIONS AND LIMITATIONS OF REMEDIES

This product comes with a one (1) year limited warranty that can be found at www.palletforks.com/warranty.html. Please review the same for all details regarding the Titan Limited Warranty.

THE TITAN LIMITED WARRANTY FOUND AT WWW.PALLETFORKS.COM/WARRANTY.HTML IS EXCLUSIVE AND IS IN LIEU OF ALL OTHER WARRANTIES, EXPRESS OR IMPLIED, INCLUDING ANY IMPLIED WARRANTY OF MERCHANTABILITY AND/OR FITNESS FOR A PARTICULAR PURPOSE, EACH OF WHICH IS HEREBY DISCLAIMED.



NEED HELP? CONTACT US FIRST.

1-800-605-7595

info@palletworks.com
www.palletforks.com

© 2023 Titan Brands