

PERFORMANCE SERIES ADJUSTABLE BENCH

PSADJBENCH

401865

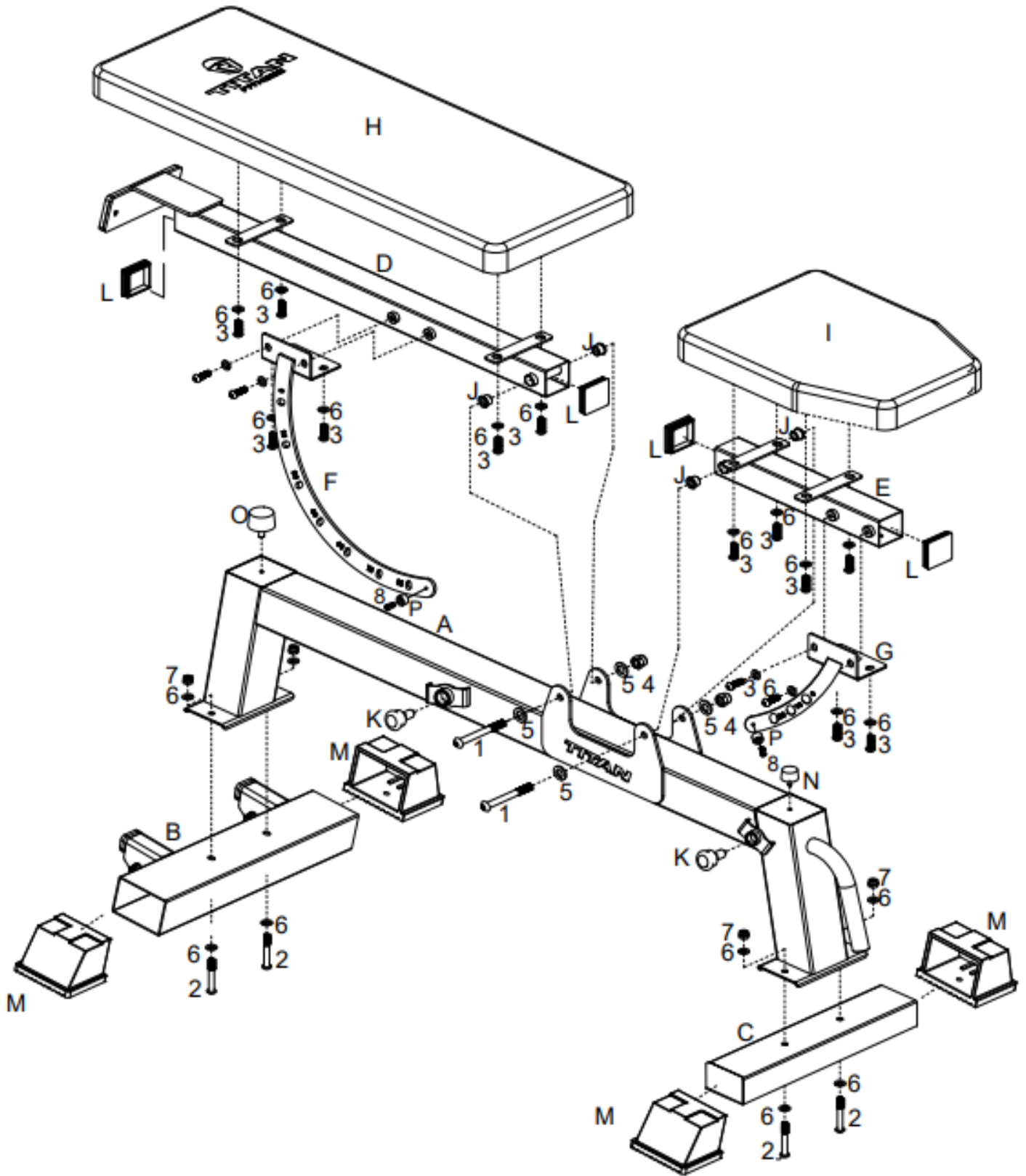


Operator's Manual



















Read the Operator's Manual entirely. When you see this symbol, the subsequent instructions and warnings are serious follow without exception. Your life and the lives of others depend on it!









PARTS DIAGRAM / EXPLODED VIEW



PARTS DIAGRAM / EXPLODED VIEW

<p>A Main Frame 1PC</p> 	<p>B Rear Stabilizer 1PC</p> 	<p>C Front Stabilizer 1PC</p> 	<p>D Back Frame 1PC</p> 
<p>E Seat Frame 1PC</p> 	<p>F Back Pivot Bracket 1PC</p> 	<p>G Seat Pivot Bracket 1PC</p> 	<p>H Back Pad 1PC</p> 
<p>I Seat Pad 1PC</p> 	<p>J Metal Bush #10.5 4PCS</p> 	<p>K Pop Pin 2PCS</p> 	<p>L 50mm Square Inner CAP 4PCS</p> 
<p>M Rubber Feet 4PCS</p> 	<p>N M6 Small Bumper 1PC</p> 	<p>O M8 Large Bumper 1PC</p> 	<p>P Rubber Ring 2PCS</p> 

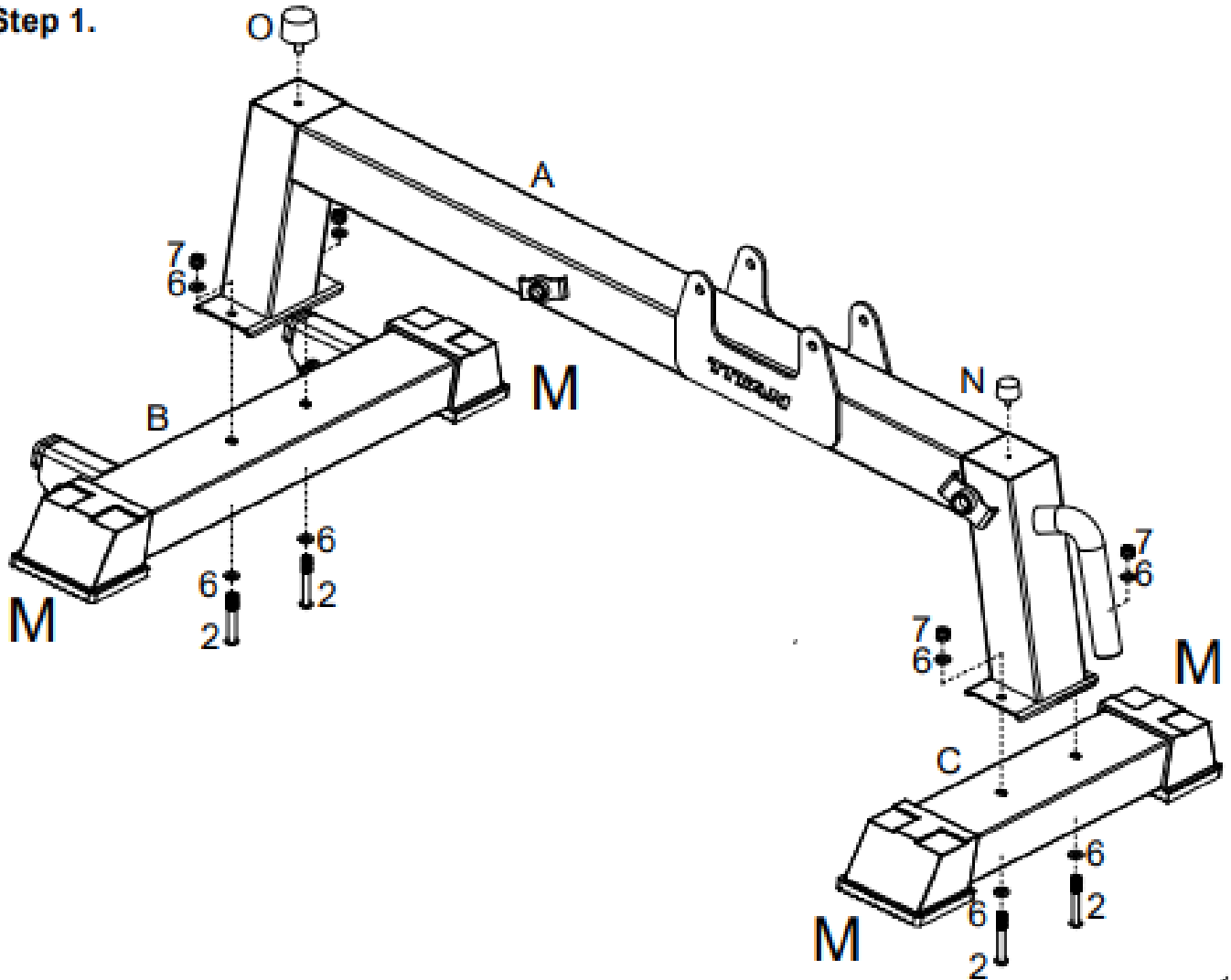
HARDWARE LIST

<p>1 M10x100mm Bolt 2PCS</p> 	<p>2 M8x65mm Bolt 4PCS</p> 	<p>3 M8x15mm Bolt 16PCS</p> 	<p>4 M10 Nylon Locknut 2PCS</p> 
<p>5 M10 Washer 4PCS</p> 	<p>6 M8 Washer 24PCS</p> 	<p>7 M8 Nylon Locknut 4PCS</p> 	<p>8 M6x10mm Bolt 2PCS</p> 

KEY	BOX	DESCRIPTION	QTY
(A)	1	MAIN FRAME	1
(B)	1	REAR STABILIZER	1
(C)	1	FRONT STABILIZER	1
(D)	1	BACK FRAME	1
(E)	1	SEAT FRAME	1
(F)	1	BACK PIVOT BRACKET	1
(G)	1	SEAT PIVOT BRACKET	1
(H)	1	BACK PAD	1
(I)	1	SEAT PAD	1
(J)	1	METAL BUSH #10.5	4
(K)	1	M20 KNOB	2
(L)	1	50MM SQUARE INNER CAP	4
(M)	1	RUBBER FEET	4
(N)	1	M6 SMALL BUMPER	1
(O)	1	M8 LARGE BUMPER	1
(P)	1	RUBBER RING	2
(1)	1	M10*100MM BOLT	2
(2)	1	M8*65MM BOLT	4
(3)	1	M8*15MM BOLT	16
(4)	1	M10 NYLON LOCKNUT	2
(5)	1	M10 WASHER	4
(6)	1	M8 WASHER	24
(7)	1	M8 NYLON LOCKNUT	4
(8)	1	M6*10MM BOLT	2

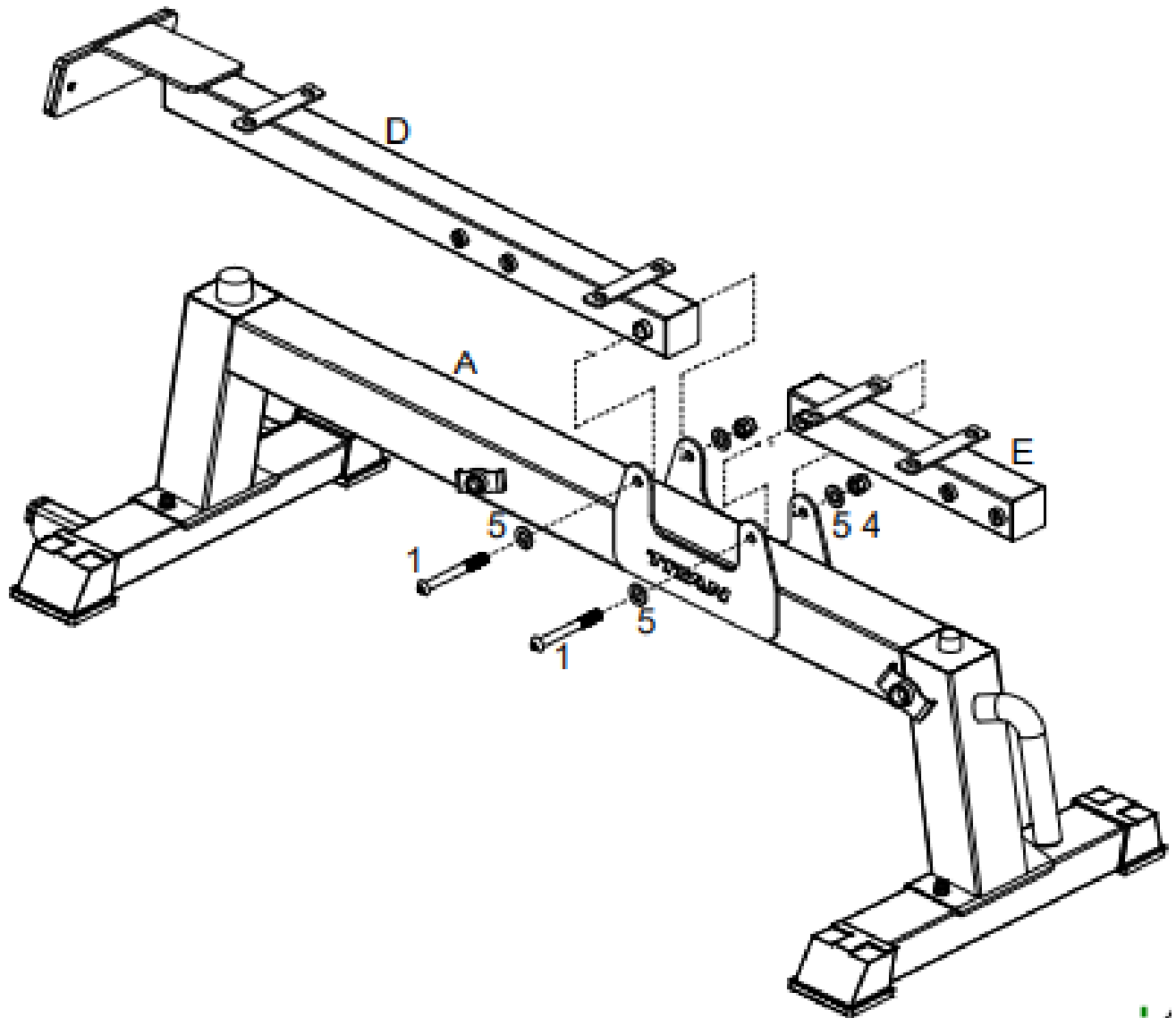
ASSEMBLY INSTRUCTIONS

Step 1.



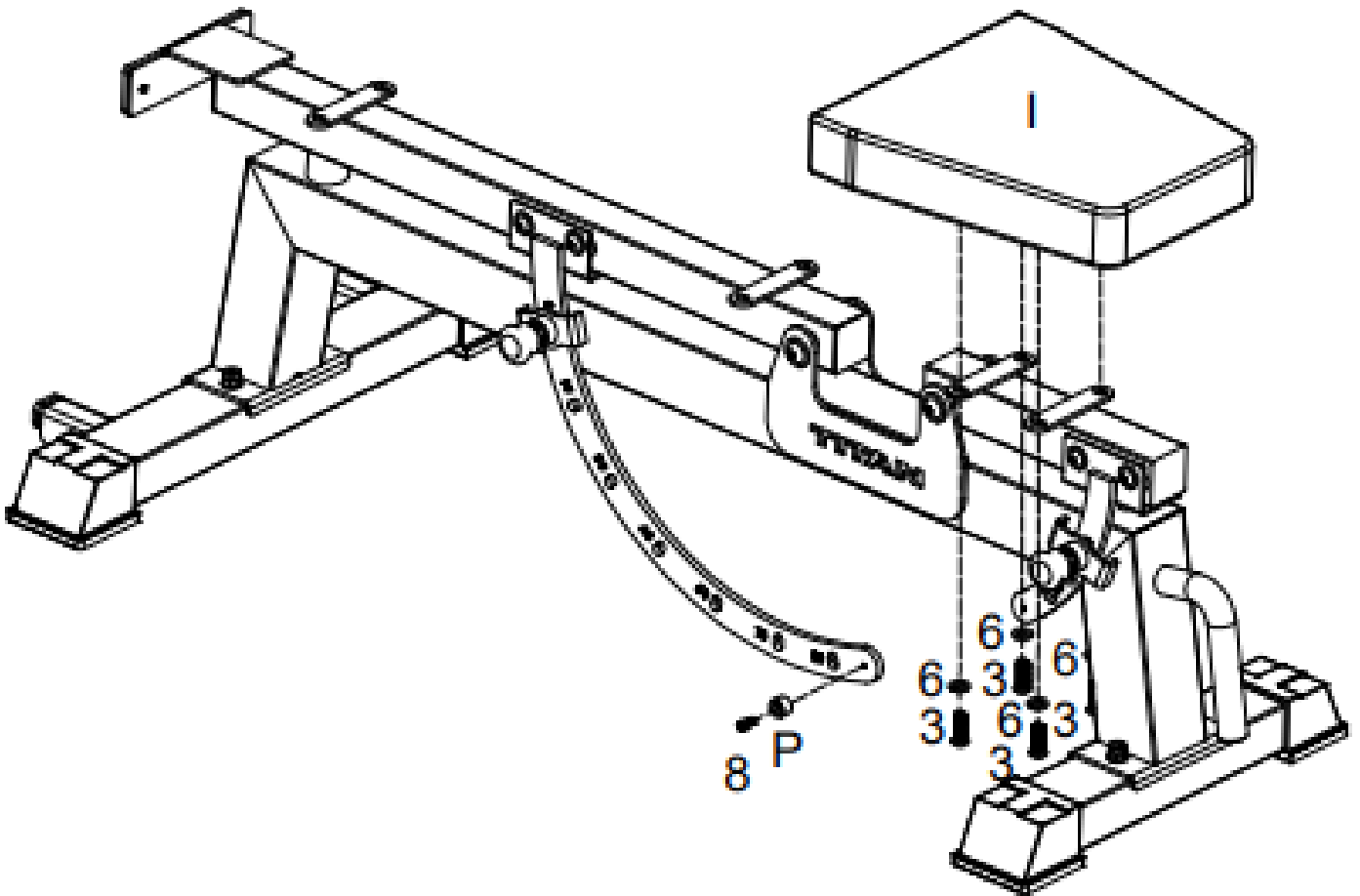
1. Attach (B)REAR STABILIZER to (A)MAIN FRAME using 2 (2)M*65 BOLTS, 4 (6)M8 WASHERS, and 2 (7)M8 NYLON LOCKNUTS.
2. Attach (C)FRONT STABILIZER to (A)MAIN FRAME using 2 (2)M*65 BOLTS, 4 (6)M8 WASHERS, and 2 (7)M8 NYLON LOCKNUTS.
3. Screw in (O)M8 LARGE BUMPER to rear of (A)MAIN FRAME. Screw in (N)M6 SMALL BUMPER to front of (A)MAIN FRAME. You will adjust once height of the Bumper after Back and Seat Frames are installed in Step.

Step 2.



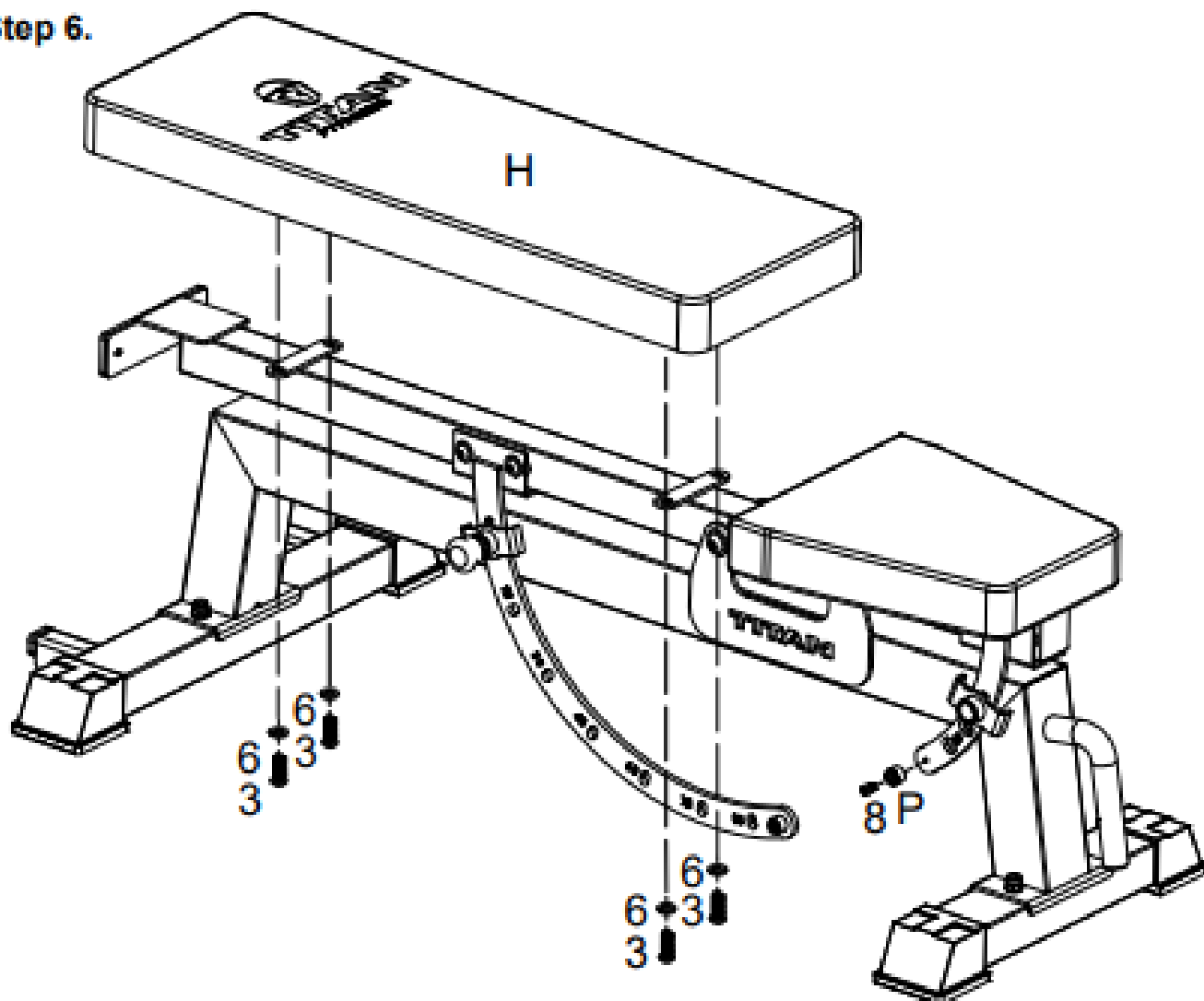
1. Attach (D)BACK Frame to (A)MAIN FRAME with 1 (1)M10*100 BOLT, 2 (5)M10 WASHERS, and 1 (4)M10NYLON LOCKNUTS.
2. Attach (E)SEAT FRAME to (A)MAIN FRAME with 1 (1)M10*100 BOLT, 2 (5)M10 WASHERS, and 1 (4)M10 NYLON LOCKNUTS.
3. Screw (O)M8 LARGE BUMPER up until touches (D)BACK FRAME. 4. Screw (N)M6 SMALL BUMPER up until touches (E)SEAT FRAME.

Step 5.



1. Attach (I)SEAT PAD to (E)SEAT FRAME with 4 (3)M8*15 BOLTS and 4 (6)M8 WASHERS.
2. Attach (P)RUBBER RING to (F)BACK PIVOT BRACKET with 1 (8)M6*10 BOLTS.

Step 6.



1. Attach (H)BACK PAD to (D)BACKREST FRAME with 4 (3) M8*15 BOLTS and 4 (6)M8 WASHERS.
2. Attach (P)RUBBER RING to (G)SEAT PIVOT BRACKET with 1 (8)M6*10 BOLTS.

ACKNOWLEDGEMENT OF RISK AND RELEASE OF LIABILITY

The use of any equipment, including this one, involves the potential risk of injury. Apart from any warranty claim that might be presented for a claimed defect in material or workmanship of the product, you accept and assume full responsibility for any and all injuries, damages (both economic and non-economic), and losses of any type, which may occur, and you fully and forever release and discharge Titan, its insurers, employees, officers, directors, associates, and agents from any and all claims, demands, damages, rights of action, or causes of action, present or future, whether the same be known or unknown, anticipated, or unanticipated, resulting from or arising out of the use of said equipment.

This equipment must be used with care by capable and competent individuals under supervision,

WARNING



Heavy object. Use lifting aids and proper lifting techniques when moving.



Choking hazard. Small parts – Please exercise caution if small children or pets are present.



Sharp objects may be involved. Use precaution and protection.

TITAN LIMITED WARRANTY: TERMS, EXCLUSIONS AND LIMITATIONS OF REMEDIES

This product comes with a one (1) year limited warranty that can be found at www.titan.fitness/warranty.html Please review the same for all details regarding the Titan Limited Warranty.

THE TITAN LIMITED WARRANTY FOUND AT WWW.TITAN.FITNESS/WARRANTY IS EXCLUSIVE AND IS IN LIEU OF ALL OTHER WARRANTIES, EXPRESS OR IMPLIED, INCLUDING ANY IMPLIED WARRANTY OF MERCHANTABILITY AND/OR FITNESS FOR A PARTICULAR PURPOSE, EACH OF WHICH IS HEREBY DISCLAIMED.



NEED HELP? CONTACT US FIRST.

1-888-410-1503

info@titan.fitness

www.titan.fitness

© 2023 Titan Brands