

MASS STORAGE SYSTEM WITH ROTATING SHELVES

MFTS45UPv2-(2)MFTSRTSHLF42, MFTS45UPv2-(2)MFTSRTSHLF70,
MFTS74UPv2-(2)MFTSRTSHLF42, MFTS74UPv2-(2)MFTSRTSHLF70
401902, 401903, 401904, 401905

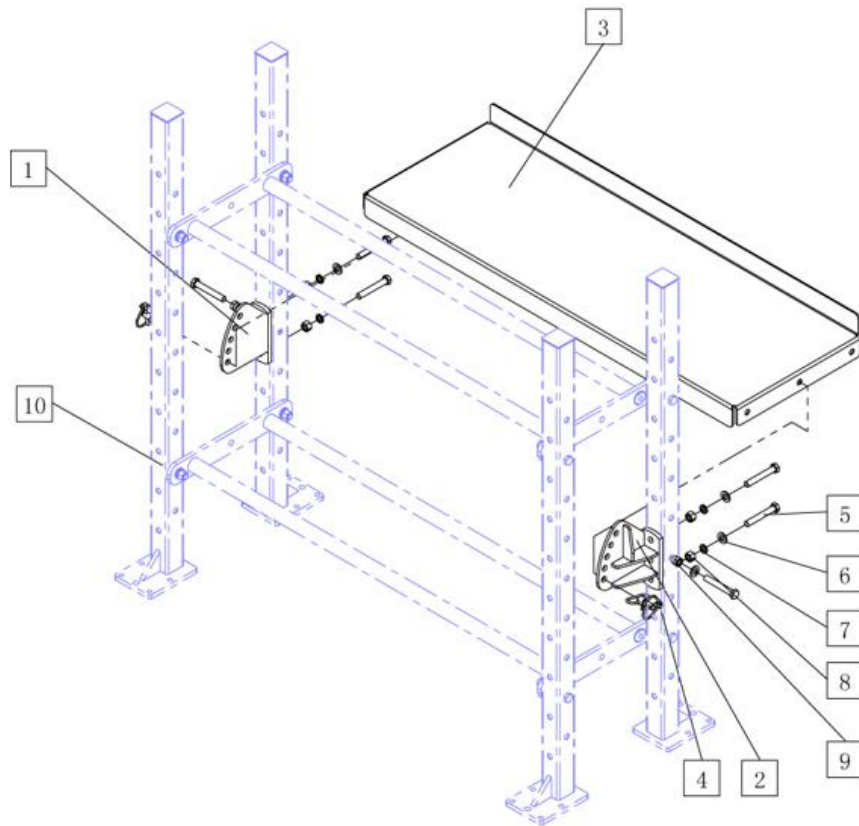


Operator's Manual



Read the Operator's Manual entirely. When you see this symbol, the subsequent instructions and warnings are serious follow without exception. Your life and the lives of others depend on it!

PARTS DIAGRAM / EXPLODED VIEW

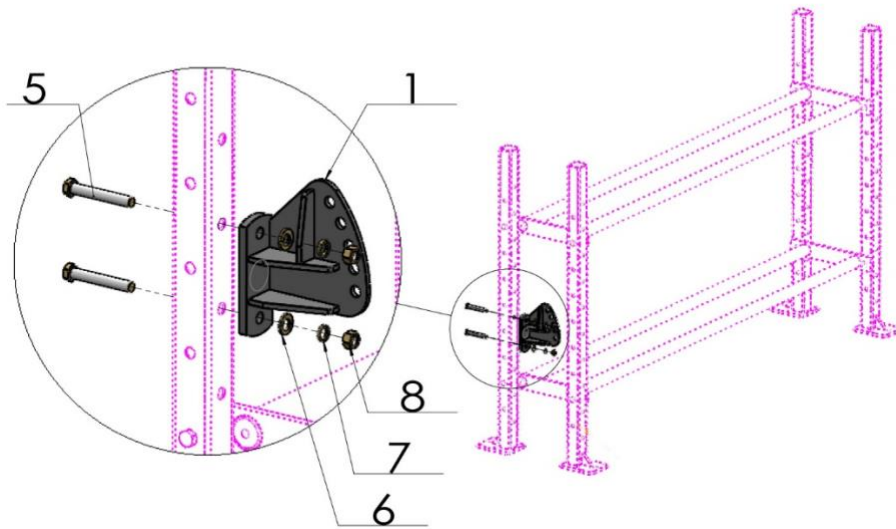


KEY	DESCRIPTION	QTY	KEY	DESCRIPTION	QTY
(1)	ROTARY MOUNTING BRACKET-L	4/6	(6)	FLAT WASHER M12	24/36
(2)	ROTARY MOUNTING BRACKET-R	4/6	(7)	SPRING WASHER M12	24/36
(3)	OPTIONAL 42" or 70" DUMBBELL TRAY	2/3	(8)	HEX NUT M12	16/24
(4)	LOCK PIN	4/6	(9)	HEX LOCK NUT M12	8/16
(5)	HEX BOLT M12x80	24/36	(10)	OPTIONAL 45" or 72" MASS STORAGE SYSTEM	1

STORAGE SYSTEMS ARE AVAILABLE AS FOLLOWED:

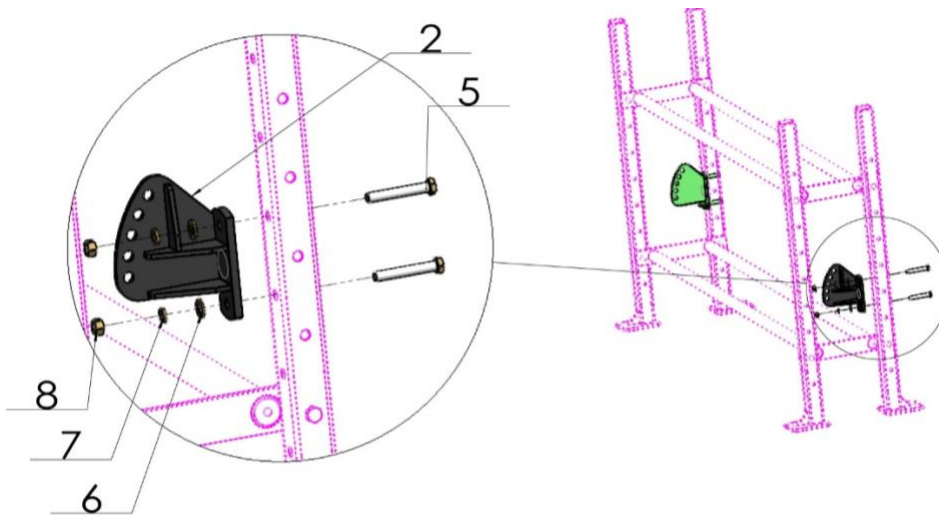
- 45" TALL UNIT WITH (2) 42" ROTATING SHELVES
- 45" TALL UNIT WITH (2) 70" ROTATING SHELVES
- 74" TALL UNIT WITH (3) 42" ROTATING SHELVES
- 74" TALL UNIT WITH (3) 70" ROTATING SHELVES

STEP 1



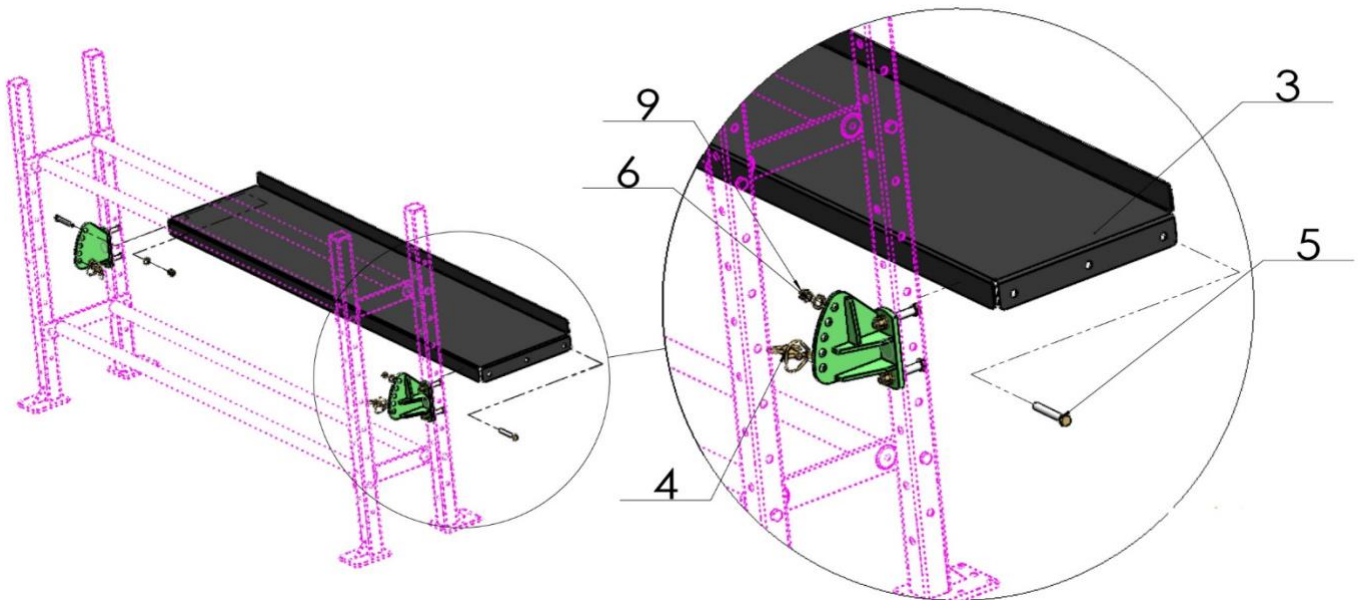
- Attach **ROTARY MOUNTING BRACKET-L (1)** onto **MASS FITNESS STORAGE SYSTEM (10)** using **HEX BOLT M12x80 (5)**, **FLAT WASHER M12 (6)**, **SPRING WASHER M12 (7)** and **HEX NUT M12 (8)**. The order of assembling is to push **HEX BOLT M12x80 (5)** through these parts, and then place **FLAT WASHER M12 (6)**, **SPRING WASHER M12 (7)** and **HEX NUT M12 (8)** onto the end of the bolt.
- Fasten the hardware, but do not tighten until the whole assembly is fully assembled.

STEP 2



- Repeat the above procedures to attach **ROTARY MOUNTING BRACKET-R (2)** onto the right side.

Step 3



- Place **DUMBBELL TRAY (3)** between the upright post of **MASS FITNESS STORAGE SYSTEM (10)** and attach the tray from the sides of the upright post using **HEX BOLT M12x80 (5)**, **FLAT WASHER M12 (6)** and **HEX LOCK NUT M12 (9)**.
- Align the middle hole at the side of **DUMBBELL TRAY (3)** with the holes of at a desired tilt angle **ROTARY MOUNTING BRACKET-L (1)** and **ROTARY MOUNTING BRACKET-R (2)** at each side using **LOCK PIN (4)**.
- Tighten all hardware.

ACKNOWLEDGEMENT OF RISK AND RELEASE OF LIABILITY

The use of any equipment, including this one, involves the potential risk of injury. Apart from any warranty claim that might be presented for a claimed defect in material or workmanship of the product, you accept and assume full responsibility for any and all injuries, damages (both economic and non-economic), and losses of any type, which may occur, and you fully and forever release and discharge Titan, its insurers, employees, officers, directors, associates, and agents from any and all claims, demands, damages, rights of action, or causes of action, present or future, whether the same be known or unknown, anticipated, or unanticipated, resulting from or arising out of the use of said equipment.

This equipment must be used with care by capable and competent individuals under supervision,

WARNING



Heavy object. Use lifting aids and proper lifting techniques when moving.



Choking hazard. Small parts – Please exercise caution if small children or pets are present.



Sharp objects may be involved. Use precaution and protection.

TITAN LIMITED WARRANTY: TERMS, EXCLUSIONS AND LIMITATIONS OF REMEDIES

This product comes with a one (1) year limited warranty that can be found at www.titan.fitness/warranty.html Please review the same for all details regarding the Titan Limited Warranty.

THE TITAN LIMITED WARRANTY FOUND AT WWW.TITAN.FITNESS/WARRANTY IS EXCLUSIVE AND IS IN LIEU OF ALL OTHER WARRANTIES, EXPRESS OR IMPLIED, INCLUDING ANY IMPLIED WARRANTY OF MERCHANTABILITY AND/OR FITNESS FOR A PARTICULAR PURPOSE, EACH OF WHICH IS HEREBY DISCLAIMED.



NEED HELP? CONTACT US FIRST.

1-888-410-1503

info@titan.fitness

www.titan.fitness

© 2023 Titan Brands