

# X-3 SERIES RACK-MOUNTED PULLEY SYSTEM

---

TRIPLLYX3-LOWPLLYX3, TRIPLLYX3, LOWPLLYX3

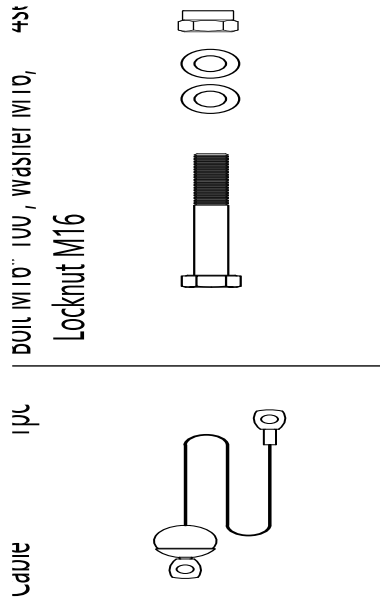
400654, 400383, 400384



## Operator's Manual



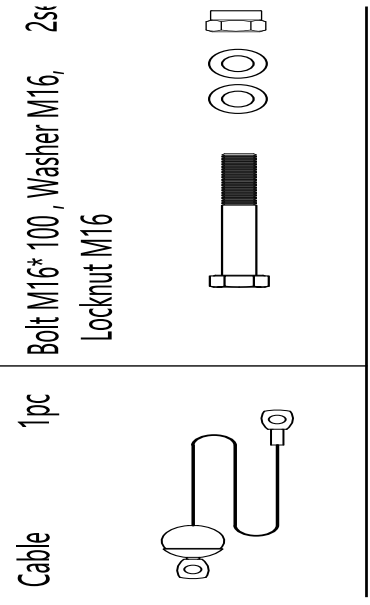
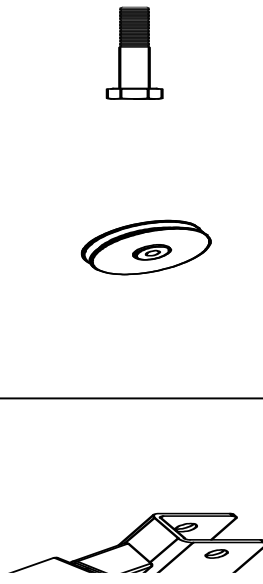
Read the Operator's Manual entirely. When you see this symbol, the subsequent instructions and warnings are serious follow without exception. Your life and the lives of others depend on it!



## PARTS

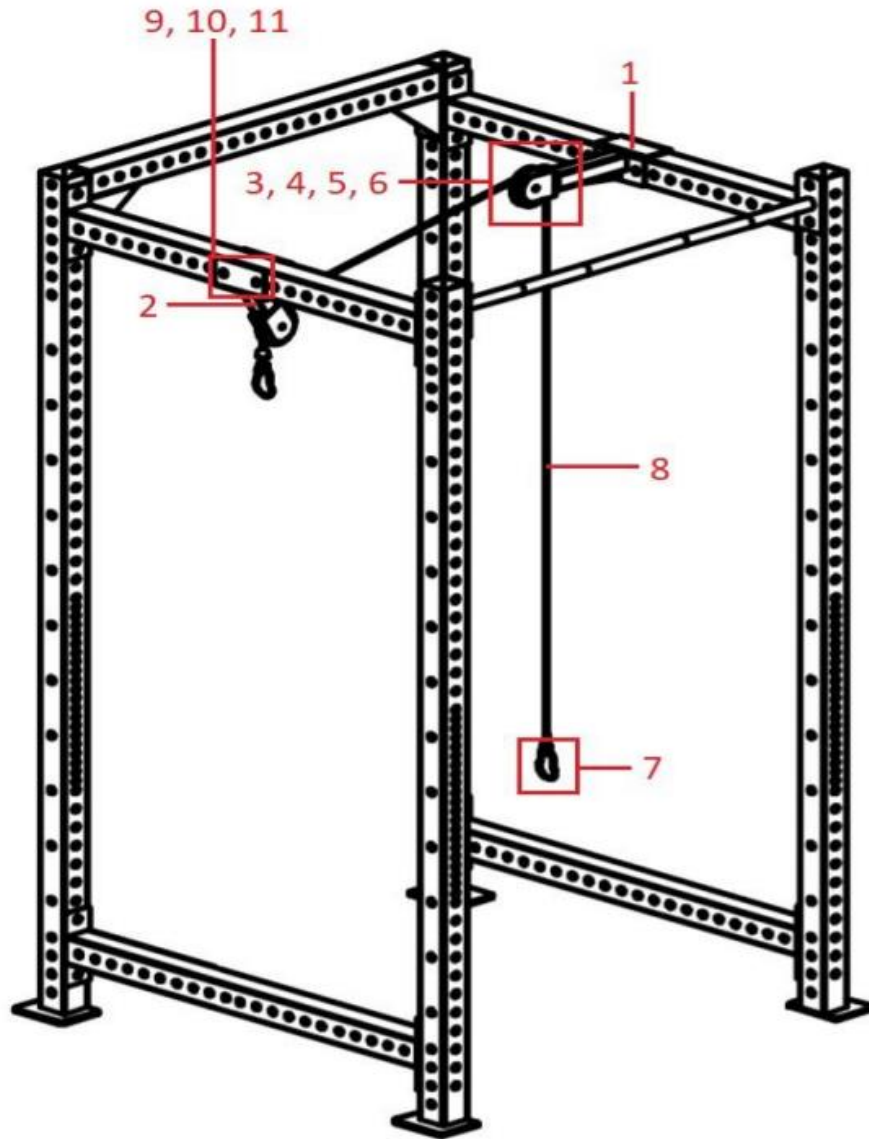
ket B 1pc  
Pulley, Bolt M10\* 50, Wash  
M10, Locknut M10

Pulley, Bolt M10\* 50, Washer  
M10, Locknut M10 1pc



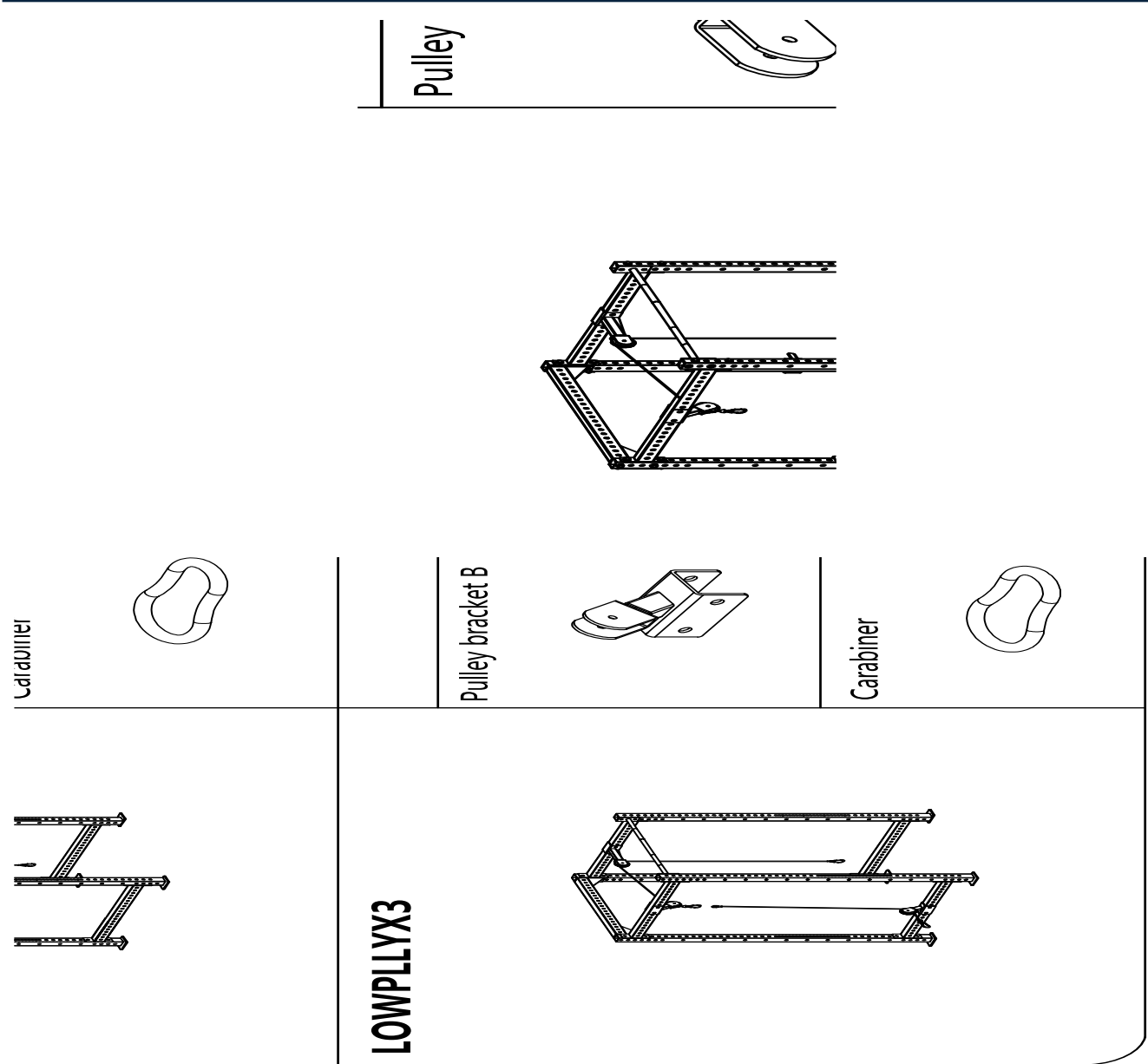
**LOWPLLYX3 ASSEMBLY INSTRUCTIONS**

---



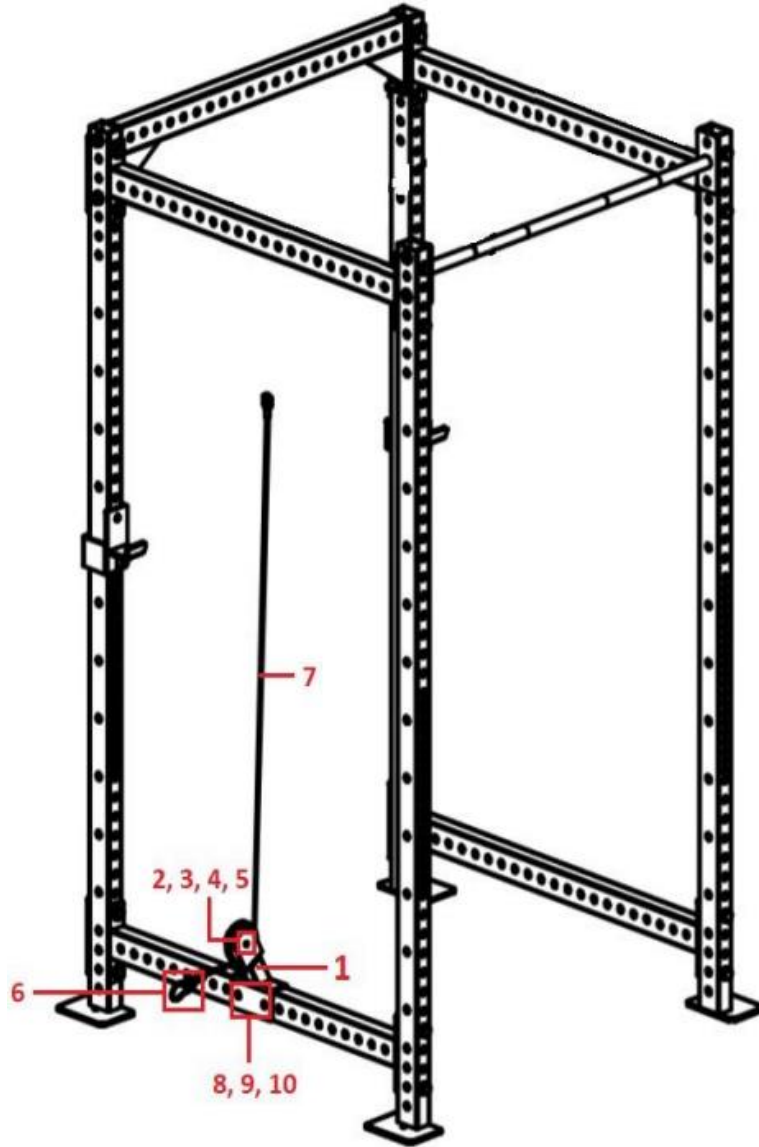
KEY	DESCRIPTION	QTY	KEY	DESCRIPTION	QTY
(1)	PULL BRACKET - A	1	(7)	CARABINER	2
(2)	PULLY BRACKET - B	1	(8)	CABLE	1
(3)	PULLEY	2	(9)	BOLT M16X100	4
(4)	BOLT M10X60	2	(10)	WASHER M16	4
(5)	WASHER M10	2	(11)	LOCKNUT M16	4
(6)	LOCKNUT M10	2			

**LOWPLLY PARTS DIAGRAM / EXPLODED VIEW**



**LOWPLLY ASSEMBLY INSTRUCTIONS**

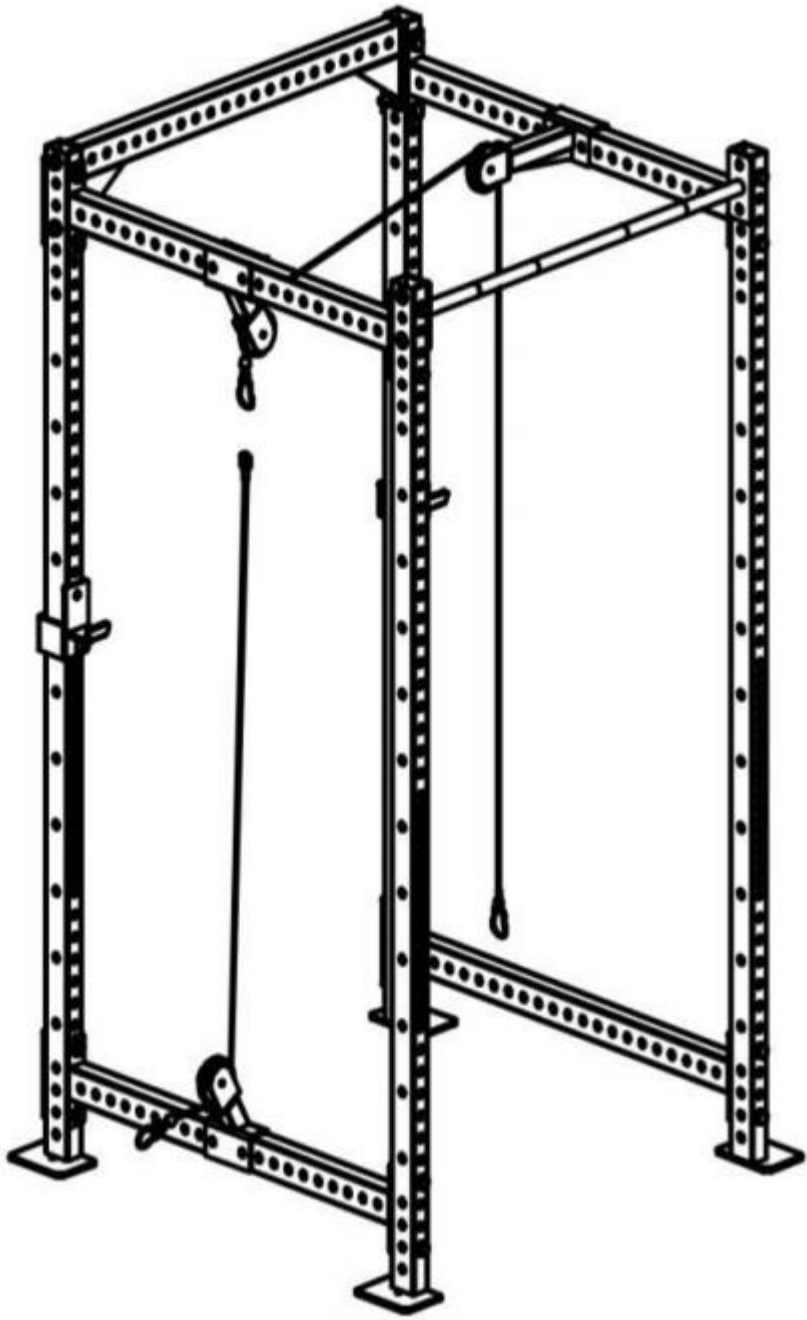
---



KEY	DESCRIPTION	QTY	KEY	DESCRIPTION	QTY
(1)	PULLY BRACKET - B	1	(6)	CARABINER	2
(2)	PULLEY	1	(7)	CABLE	1
(3)	BOLT M10X50	2	(8)	BOLT M16X100	4
(4)	WASHER M10	2	(9)	WASHER M16	4
(5)	LOCKNUT M10	2	(10)	LOCKNUT M16	4

TRIPLLYX3-LOWPLLYX3 COMBINE THE TWO PREVIOUS INSTRUCTIONS TOGETHER

---



## ACKNOWLEDGEMENT OF RISK AND RELEASE OF LIABILITY

---

The use of any equipment, including this one, involves the potential risk of injury. Apart from any warranty claim that might be presented for a claimed defect in material or workmanship of the product, you accept and assume full responsibility for any and all injuries, damages (both economic and non-economic), and losses of any type, which may occur, and you fully and forever release and discharge Titan, its insurers, employees, officers, directors, associates, and agents from any and all claims, demands, damages, rights of action, or causes of action, present or future, whether the same be known or unknown, anticipated, or unanticipated, resulting from or arising out of the use of said equipment.

This equipment must be used with care by capable and competent individuals under supervision,

## WARNING

---



Heavy object. Use lifting aids and proper lifting techniques when moving.



Choking hazard. Small parts – Please exercise caution if small children or pets are present.



Sharp objects may be involved. Use precaution and protection.

## TITAN LIMITED WARRANTY: TERMS, EXCLUSIONS AND LIMITATIONS OF REMEDIES

---

This product comes with a one (1) year limited warranty that can be found at [www.titan.fitness/warranty.html](http://www.titan.fitness/warranty.html) Please review the same for all details regarding the Titan Limited Warranty.

**THE TITAN LIMITED WARRANTY FOUND AT [WWW.TITAN.FITNESS/WARRANTY](http://WWW.TITAN.FITNESS/WARRANTY) IS EXCLUSIVE AND IS IN LIEU OF ALL OTHER WARRANTIES, EXPRESS OR IMPLIED, INCLUDING ANY IMPLIED WARRANTY OF MERCHANTABILITY AND/OR FITNESS FOR A PARTICULAR PURPOSE, EACH OF WHICH IS HEREBY DISCLAIMED.**



**NEED HELP? CONTACT US FIRST.**

**1-888-410-1503**

[info@titan.fitness](mailto:info@titan.fitness)

[www.titan.fitness](http://www.titan.fitness)

© 2023 Titan Brands