

15 FT HAY ELEVATOR + ADD-ONS

HAYELEVTR15, HAYEXT4, HAYEXT8, HAYCHUTE
191645, 191553, 191554, 191555

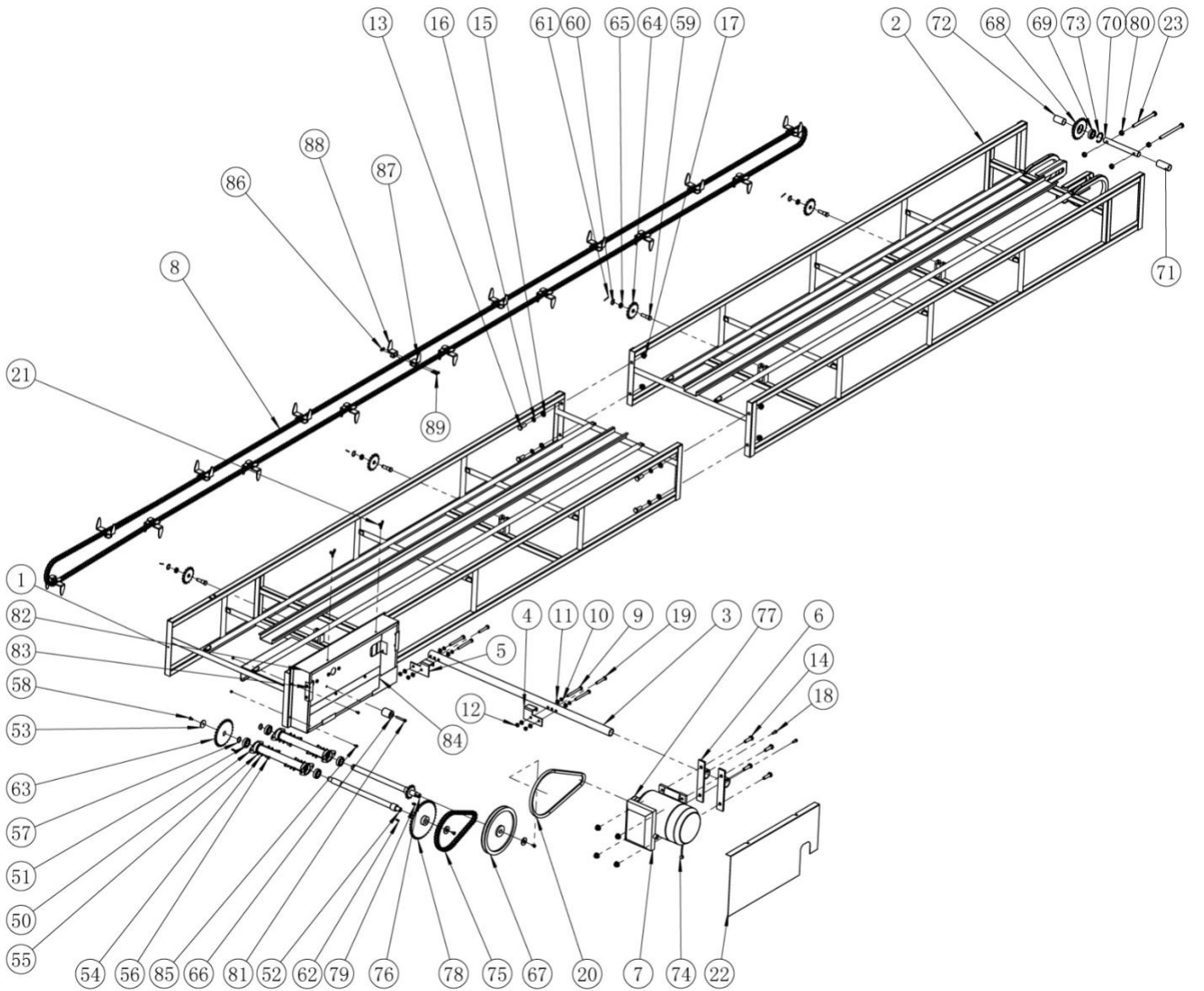


Operator's Manual



Read the Operator's Manual entirely. When you see this symbol, the subsequent instructions and warnings are serious follow without exception. Your life and the lives of others depend on it!

PARTS DIAGRAM / EXPLODED VIEW – HAYELEVATOR



PARTS DIAGRAM / EXPLODED VIEW – HAYELEVATOR

| KEY | DESCRIPTION | QTY |
|------------|------------------------------------|------------|
| (1) | FRAME A | 1 |
| (2) | FRAME B | 1 |
| (3) | MOTOR MOUNT PIPE | 1 |
| (4) | MOTOR MOUNT PIPE BRACKET-RIGHT | 1 |
| (5) | MOTOR MOUNT PIPE BRACKET-LEFT | 1 |
| (6) | MOTOR MOUNT BRACKET | 2 |
| (7) | MOTOR | 1 |
| (8) | CONVEYOR CHAIN | 1 |
| (9) | HEX BOLT M8x80 | 4 |
| (10) | SPRING WASHER M8 | 4 |
| (11) | FLAT WASHER M8 | 8 |
| (12) | HEX THIN NUT M8 | 4 |
| (13) | HEX BOLT M10x30 | 4 |
| (14) | HEX BOLT M10X35 | 4 |
| (15) | FLAT WASHER M10 | 8 |
| (16) | SPRING WASHER M10 | 8 |
| (17) | HEX FLANGED NUT M10 | 8 |
| (18) | COUNTERSUNK BUTTON HEAD BOLT M6x16 | 3 |
| (19) | HEX BOLT M8x50 | 2 |
| (20) | PULLEY V-BELT | 1 |
| (21) | BUTTERFLY BOLT M6x12 | 2 |
| (22) | GEAR BOX COVER | 1 |
| (23) | HEX BOLT M10x130 | 2 |
| (50) | BEARING/SHAFT HOUSING | 2 |
| (51) | BALL BEARING 61904 | 4 |
| (52) | SPROCKET SHAFT-1 | 1 |
| (53) | SPROCKET WASHER | 3 |
| (54) | FLAT WASHER M6 | 8 |
| (55) | SPRING WASHER M6 | 8 |

| | | |
|------|---------------------------|---|
| (56) | HEX BOLT M6x12 | 8 |
| (50) | BEARING/SHAFT HOUSING | 2 |
| (51) | BALL BEARING 61904 | 4 |
| (52) | SPROCKET SHAFT-1 | 1 |
| (53) | SPROCKET WASHER | 3 |
| (54) | FLAT WASHER M6 | 8 |
| (55) | SPRING WASHER M6 | 8 |
| (56) | HEX BOLT M6x12 | 8 |
| (57) | CIRCLIP-1 | 2 |
| (58) | COUNTERSUNK HEX BOLTM6x12 | 3 |
| (59) | SPROCKET BOLT SHAFT | 4 |
| (60) | CIRCLIP-2 | 4 |
| (61) | COTTER PIN 2x20 | 4 |
| (62) | FLAT KEY 5x14 | 2 |
| (63) | SPROCKET-B | 1 |
| (64) | SPROCKET-D | 4 |
| (65) | BALL BEARING 61800 | 4 |
| (66) | NYLON ROD TENSIONER | 1 |
| (67) | BIG PULLEY | 1 |
| (68) | SPROCKET-C | 1 |
| (69) | BALL BEARING 61904 | 1 |
| (70) | SPROCKET SHAFT-2 | 1 |
| (71) | SHAFT SLEEVE SPACER-1 | 1 |
| (72) | SHAFT SLEEVE SPACER-2 | 1 |
| (73) | CIRCLIP-3 | 1 |
| (74) | POWER SUPPLY SOCKET | 1 |
| (75) | SPROCKET CHAIN-A | 1 |
| (76) | SPROCKET SHAFT-A | 1 |
| (77) | MOTOR BELT PULLEY | 1 |
| (78) | SPROCKET-A | 1 |
| (79) | FLAT KEY 6x6x14 | 1 |
| (80) | HEX NUT M10 | 4 |

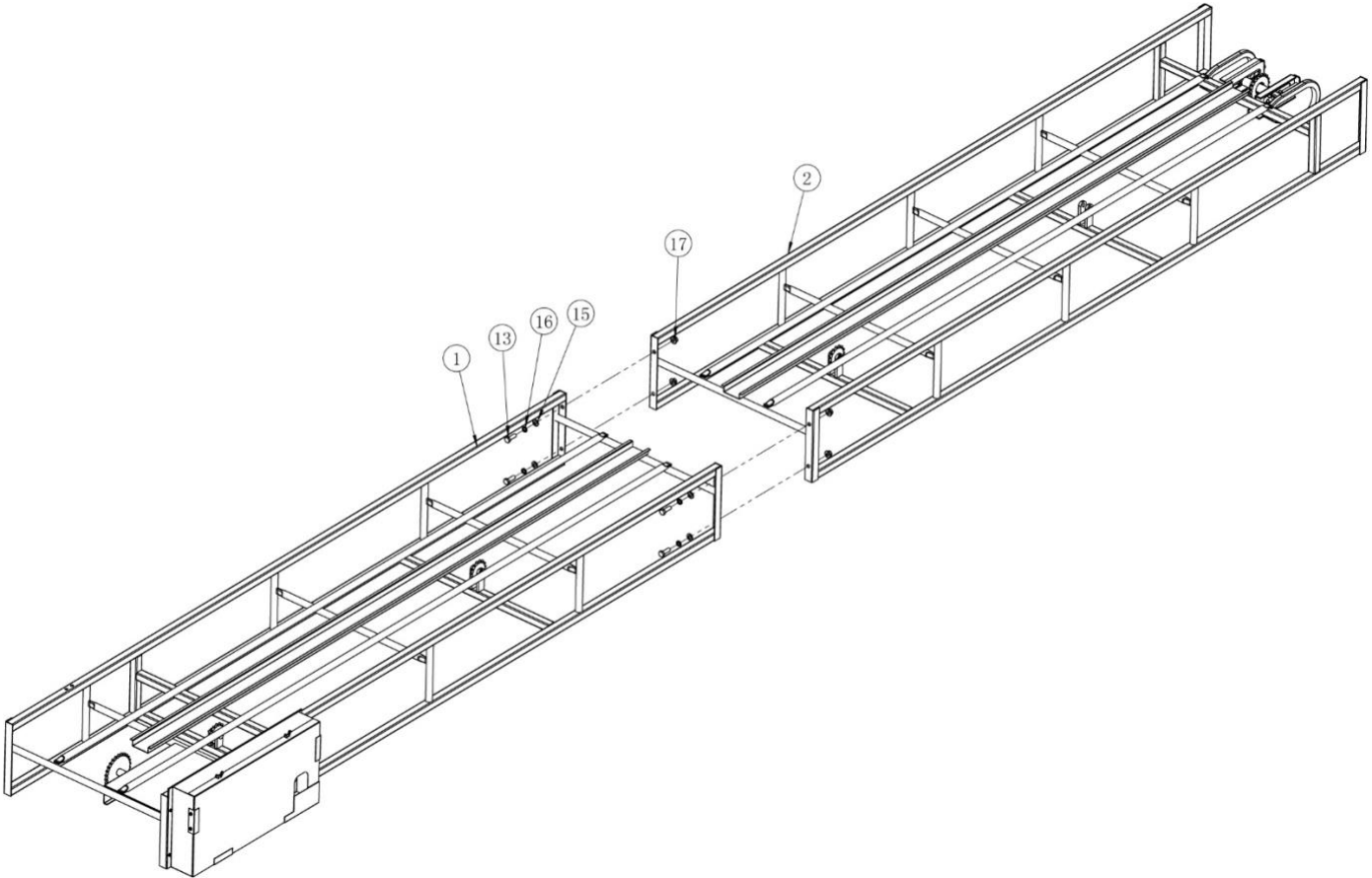
| | | |
|-------------|---|-----------|
| (81) | COUNTERSUNK BUTTON HEAD BOLT M6x80 | 1 |
| (82) | GEAR BOX CASE | 1 |
| (83) | GEAR BOX CASE EDGE PLATE | 3 |
| (84) | GEAR BOX CASE CORNER PLATE | 1 |
| (85) | CROSS HEAD BOLT M4x12 | 18 |
| (86) | HEX NUT M4 | 50 |
| (87) | CONVEYING HOOK-RIGHT | 16 |
| (88) | CONVEYING HOOK-LEFT | 16 |
| (89) | CROSS HEAD BOLT M4x25 | 32 |

ASSEMBLY INSTRUCTIONS

SPECIAL NOTES:

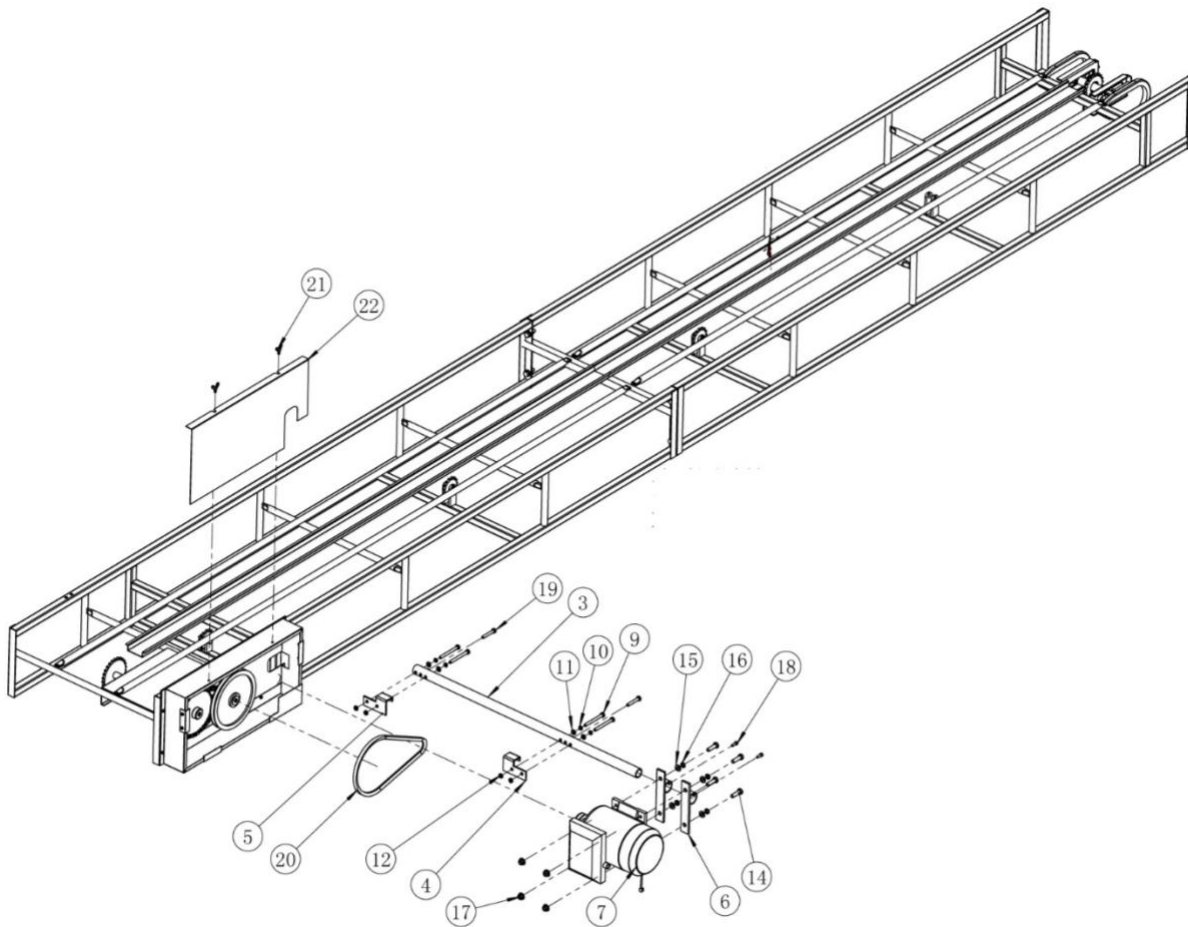
- Parts highlighted yellow in above Part List are pre-assembled on the unit shipped to you.
- Build on flat and level ground
- Left/Right and Front/Back sides stated in this manual are reference to operator facing the motor.

STEP 1 - PUTTING FRAME A AND FRAME B TOGETHER



- Move **FRAME A (1)** and **FRAME B (2)** together. Attach these two frames using **HEX BOLT M10x30 (13)**, **SPRING WASHER M10 (16)**, **FLAT WASHER M10 (15)** and **HEX FLANGED NUT M10 (17)**. The order of assembling is to place **SPRING WASHER M10 (16)** and **FLAT WASHER M10 (15)** on **FRAME A** side and push **HEX BOLT M10x30 (13)** through the holes, and then place **HEX BOLT M10x30 (13)** onto the end of the bolt coming out from **FRAME B** side. Fasten the hardware on, but do not tighten.
- There are four places to apply this hardware, namely, top left, bottom left, top right and bottom right corners.
- Tighten all hardware after applying hardware to all four corners

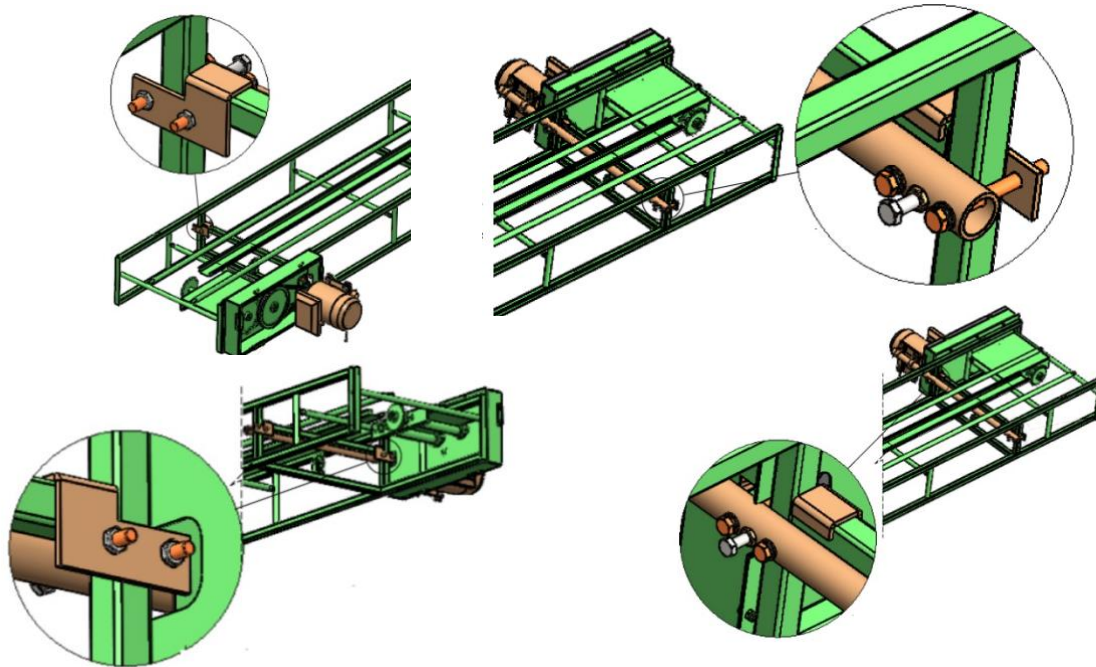
STEP 2 - INSTALL MOTOR



1. Set up MOTOR MOUNT PIPE

- Attach **MOTOR MOUNT PIPE BRACKET-RIGHT (4)** and **MOTOR MOUNT PIPE BRACKET-LEFT (5)** to **MOTOR MOUNT PIPE (3)** using **HEX BOLT M8x80 (9)**, **SPRING WASHER M8 (10)**, **FLAT WASHER M8 (11)**, **HEX THIN NUT M8 (12)** and **HEX BOLT M8x50 (19)**.
- The order of assembling is to place **SPRING WASHER M8 (10)** and **FLAT WASHER M8 (11)** on the back side of **MOTOR MOUNT PIPE (3)** and push **HEX BOLT M8x80 (9)** through the holes, and then place **HEX THIN NUT M8 (12)** onto the end of bolts front side coming out from the **MOTOR MOUNT PIPE BRACKET-RIGHT (4)** and **MOTOR MOUNT PIPE BRACKET-LEFT (5)**.
- Apply this hardware to the Motor Mount Pipe loosely to allow space in the brackets to hang on to the cross brace of Frame A.

2. Attach Motor Mount Pipe to cross brace of Frame A



- Hang the brackets onto the inner left and right corners of the cross brace of Frame A.
- Tighten **HEX BOLT M8x80 (9)**, **SPRING WASHER M8 (10)**, **FLAT WASHER M8 (11)** and **HEX THIN NUT M8 (12)** first, and then tighten **HEX BOLT M8x50 (19)**.

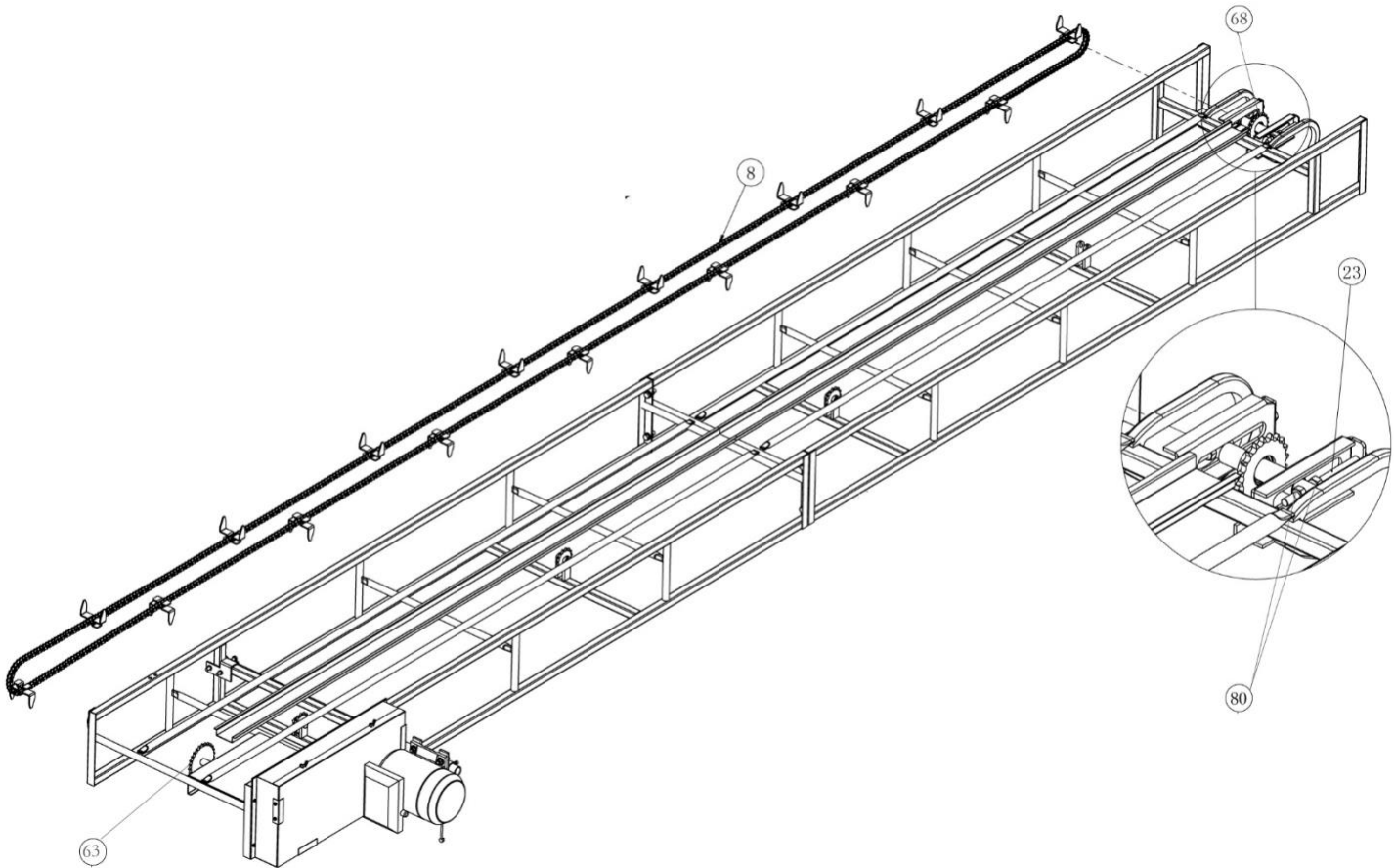
3. Put on MOTOR

- Insert **MOTOR MOUNT BRACKET (6)** into the **MOTOR MOUNT PIPE (3)** and attach the **MOTOR (7)** onto the **MOTOR MOUNT BRACKET (6)** using **HEX BOLT M10X35 (14)**, **SPRING WASHER M10 (16)**, **FLAT WASHER M10 (15)** and **HEX FLANGED NUT M10 (17)**.
- The order of assembling is to place **SPRING WASHER M10 (16)** and **FLAT WASHER M10 (15)** on the back side of **MOTOR MOUNT BRACKET (6)** and push **HEX BOLT M10X35 (14)** through the holes, and then place **HEX FLANGED NUT M10 (17)** onto the end of bolts front side coming out from the mounting plate of the **MOTOR (7)**. Tighten all hardware.
- Slide the **MOTOR (7)** to the position that its pulley is about flush to the big pulley in the gear box case. Mount **PULLEY V-BELT (20)** onto the big pulley and motor pulley, and fine adjust position of the motor until the 2 pulleys are flush.
- Bolt on **COUNTERSUNK BUTTON HEAD BOLT M6x16 (18)** onto the **MOTOR MOUNT BRACKET (6)** and tighten to avoid turning.

4. Put on GEAR BOX COVER

- Cover the Gear Box with **GEAR BOX COVER (22)** and bolt on **BUTTERFLY BOLT M6x12 (21)** from the top.

STEP 3 - MOUNT ON CONVEYOR CHAIN

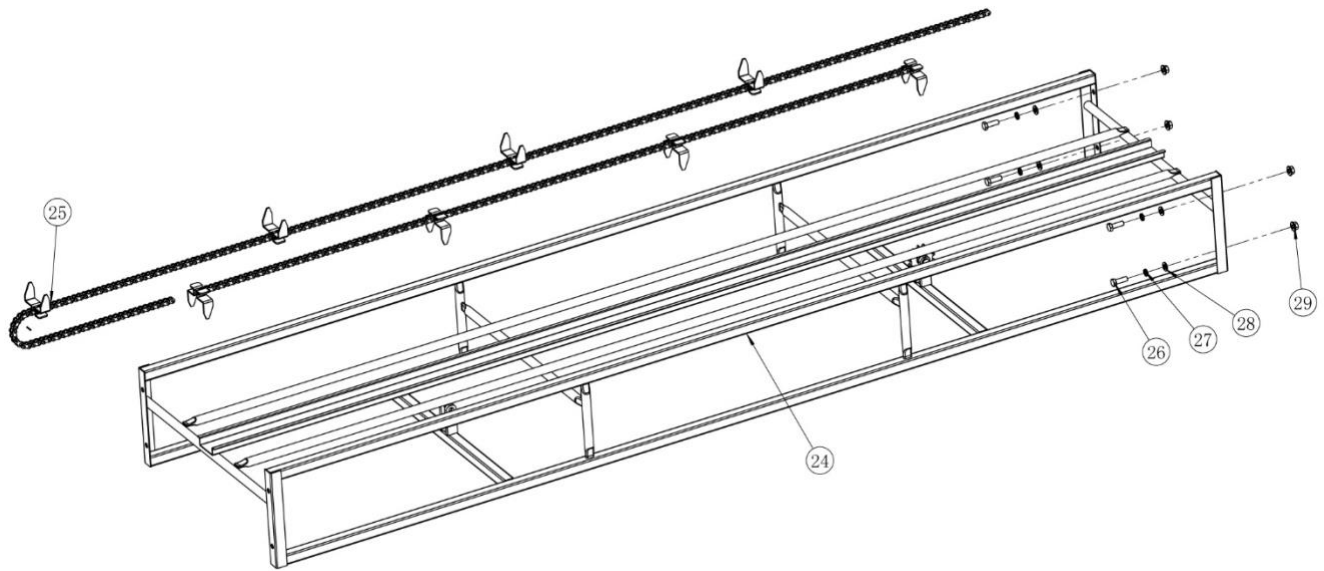


- Mount **CONVEYOR CHAIN (8)** on **SPROCKET-B (63)** in the front end and **SPROCKET-C (68)** at the far end.
- Adjust tension of the chain by turning **HEX BOLT M10x130 (23)** until the chain is tightened.
- Lock the position of **HEX BOLT M10x130 (23)** by tightening **HEX NUT M10 (80)**.

Assembling the Hay Elevator is completed. For customers who have purchased following optional items may refer to the manuals below for setting up the combination:

- **4' Frame Extension (HAYEXT4)**
- **8' Frame Extension (HAYEXT8)**
- **Hay Chute (HAYCHUTE)**

8 FT FRAME EXTENSION (HAYEXT8)

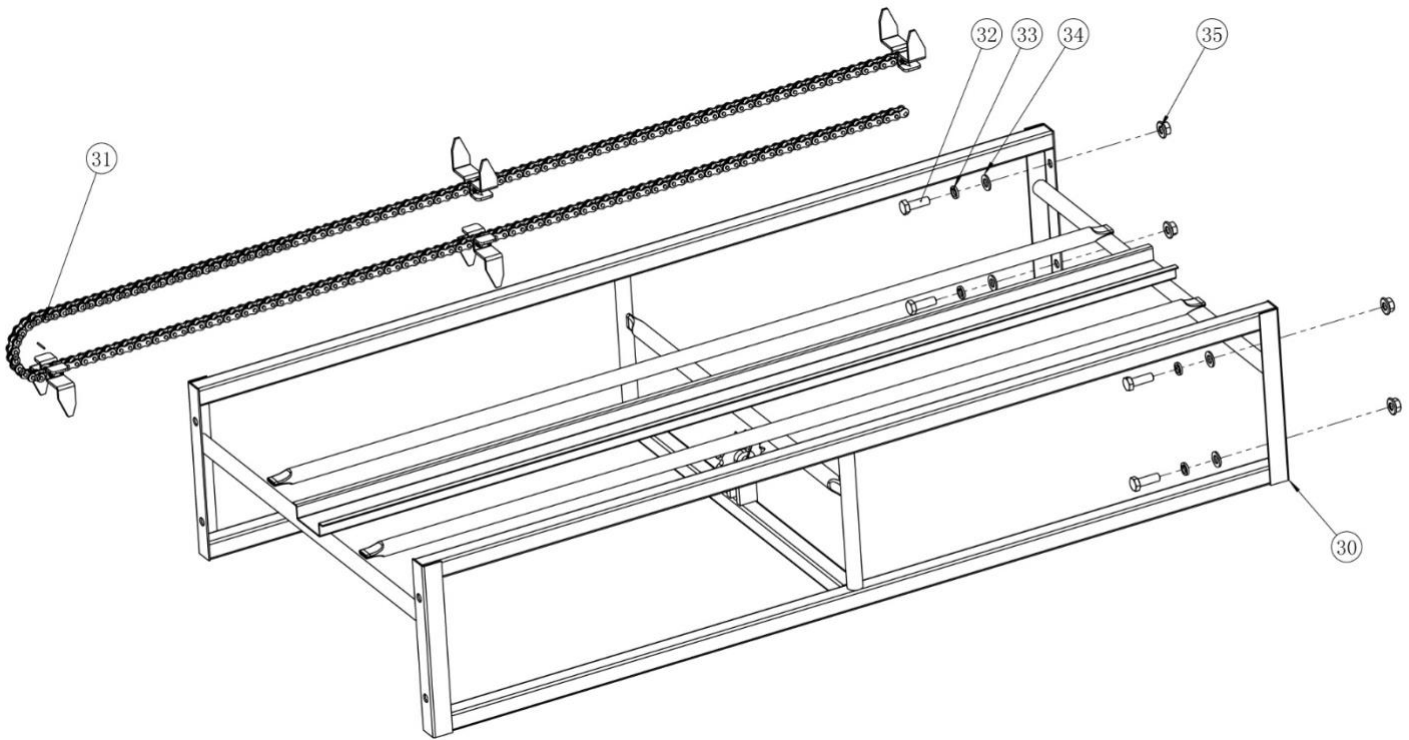


| KEY | DESCRIPTION | QTY |
|------|---------------------|-----|
| (24) | 8' FRAME EXTENSION | 1 |
| (25) | 8' EXTENSION CHAIN | 1 |
| (26) | HEX BOLT M10x30 | 4 |
| (27) | SPRING WASHER M10 | 4 |
| (28) | FLAT WASHER M10 | 4 |
| (29) | HEX FLANGED NUT M10 | 4 |

NOTE:

Follow the same steps as HAYEXT8 except using **4' FRAME EXTENSION (30)** and **4' EXTENSION CHAIN (31)**.

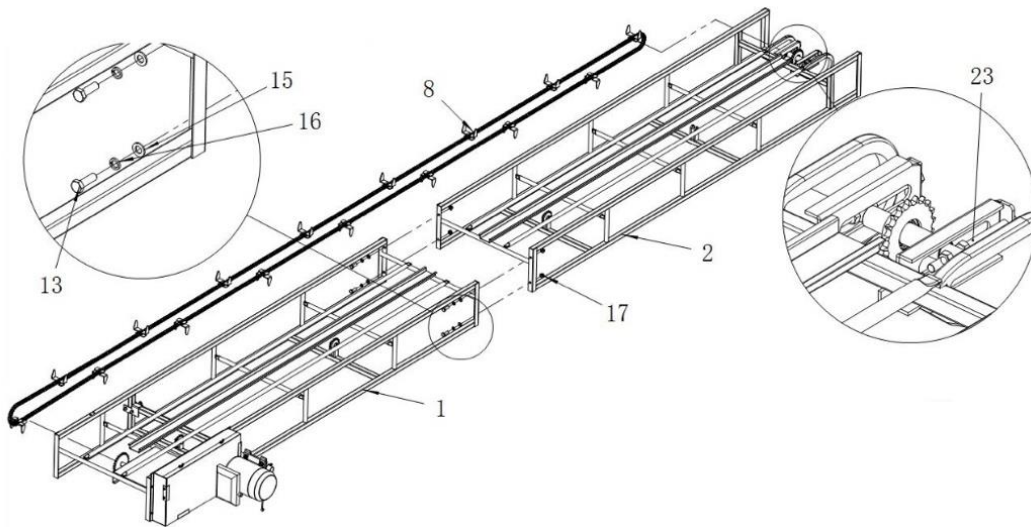
4 FT FRAME EXTENSION (HAYEXT4)



| KEY | DESCRIPTION | QTY |
|------|---------------------|-----|
| (30) | 4' FRAME EXTENSION | 1 |
| (31) | 4' EXTENSION CHAIN | 1 |
| (32) | HEX BOLT M10x30 | 4 |
| (33) | SPRING WASHER M10 | 4 |
| (34) | FLAT WASHER M10 | 4 |
| (35) | HEX FLANGED NUT M10 | 4 |

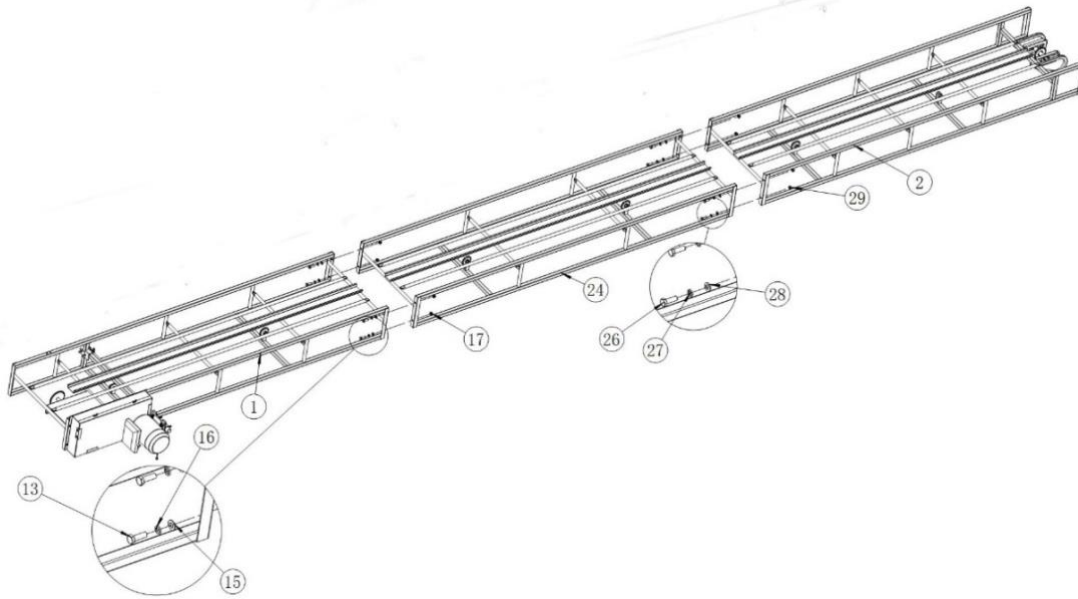
ASSEMBLY INSTRUCTIONS

STEP 1 - DISASSEMBLE FRAME A AND FRAME B OF YOUR HAY ELEVATOR



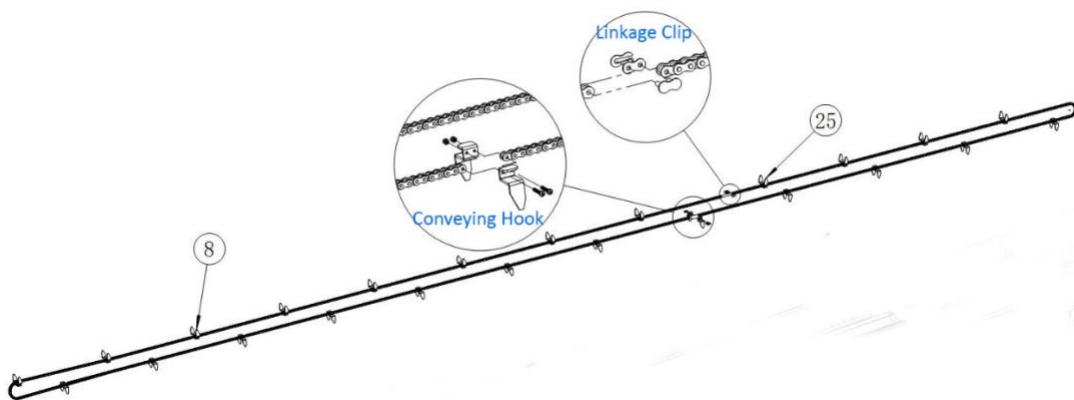
- Loosening **CONVEYOR CHAIN (8)** by adjusting **HEX BOLT M10x130 (23)**, and then take off the chain from your Hay Elevator.
- Take off the four sets of **HEX BOLT M10x30 (13)**, **SPRING WASHER M10 (16)**, **FLAT WASHER M10 (15)** and **HEX FLANGED NUT M10 (17)** that bolt **FRAME A (1)** and **FRAME B (2)** together.
- Move apart **FRAME A (1)** and **FRAME B (2)** of your Hay Elevator.

STEP 2 - PUT ON 8' FRAME EXTENSION



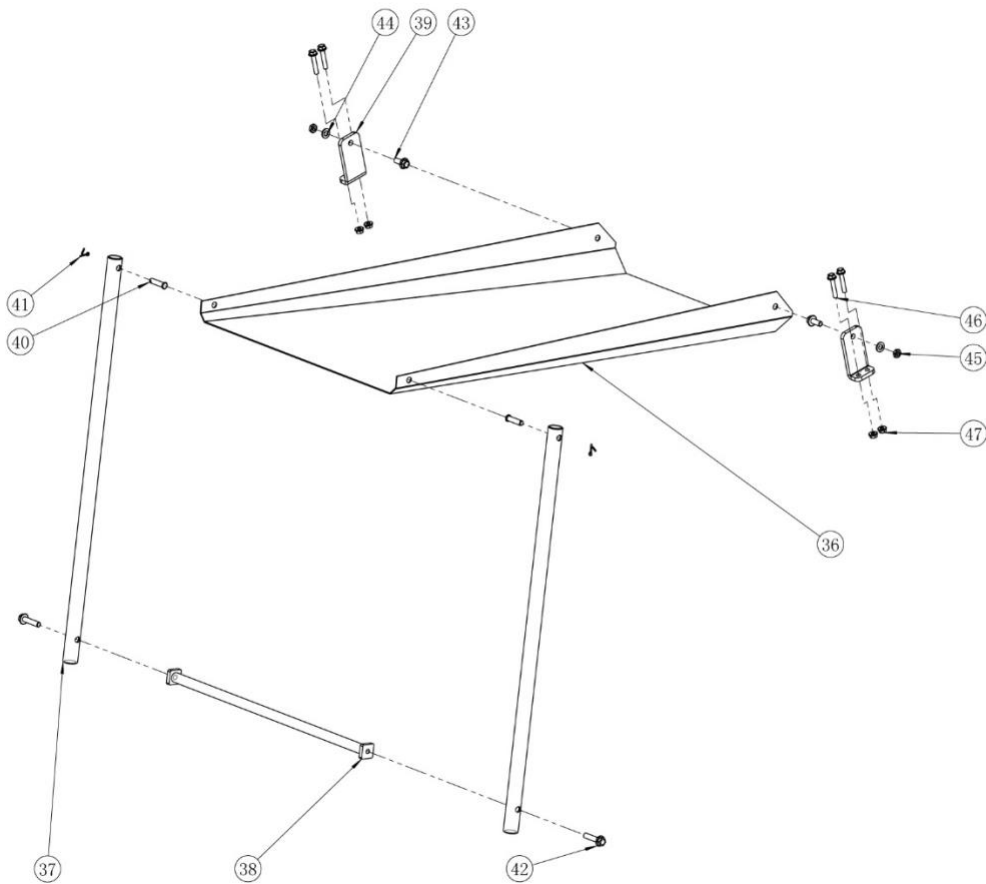
- Place the **8' FRAME EXTENSION (24)** between **FRAME A (1)** and **FRAME B (2)** and attach them together using **HEX BOLT M10x30 (13) / (26)**, **SPRING WASHER M10 (16)/ (28)**, **FLAT WASHER M10 (15)/ (27)** and **HEX FLANGED NUT M10 (17)/ (29)**. The order of assembling is to place **SPRING WASHER M10 (16)/ (28)** and **FLAT WASHER M10 (15)/ (27)** on the front side and push **HEX BOLT M10x30 (13)/(26)** through the holes, and then place **HEX BOLT M10x30 (13)/(26)** onto the end of the bolt coming out at the back side.
- Fasten the hardware on, but do not tighten until all hardware are fastened.

STEP 3 - MOUNT ON THE EXTENSION CHAIN



- Take off one linkage clip from the original **CONVEYOR CHAIN (8)** of your Hay Elevator and mount on the **8' EXTENSION CHAIN (25)** using the linkage clip at one end and Conveying Hooks on the other end.
- Mount the extended chain onto sprockets at both ends of the frames, and then tighten the chain by adjusting **HEX BOLT M10x130 (23)**.

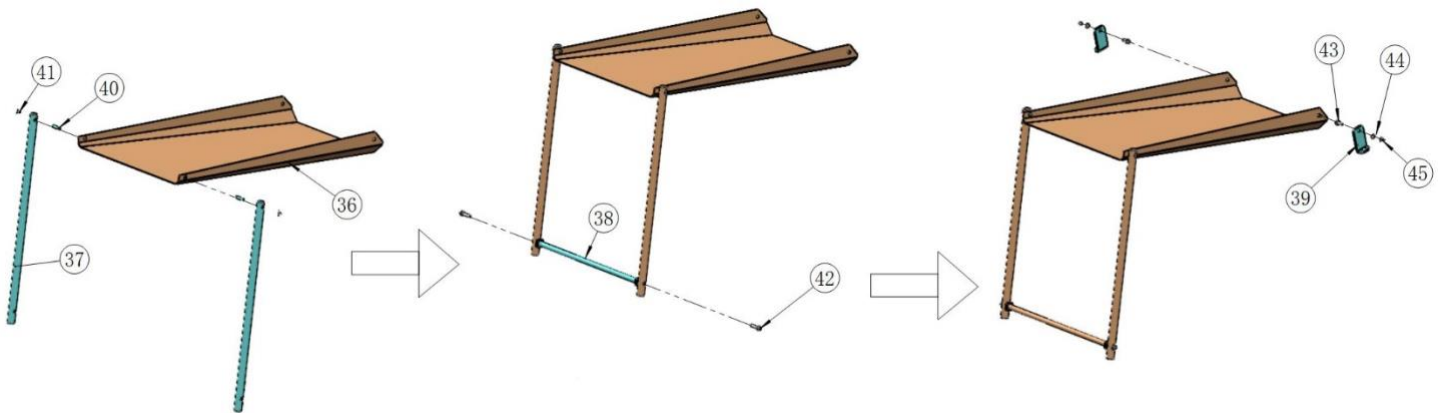
HAY ELEVATOR CHUTE (HAYCHUTE)



| KEY | DESCRIPTION | QTY |
|------|-------------------------|-----|
| (36) | CHUTE BOARD | 1 |
| (37) | LEG TUBE | 2 |
| (38) | CROSS BRACE | 1 |
| (39) | MOUNTING BRACKET | 2 |
| (40) | PIN (A10x30) | 2 |
| (41) | COTTER PIN (3.2x16) | 2 |
| (42) | HEX FLANGED BOLT M10x45 | 2 |
| (43) | HEX FLANGED BOLT M10x25 | 2 |
| (44) | FLAT WASHER M10 | 2 |
| (45) | HEX THIN NUT M10 | 2 |
| (46) | HEX FLANGED BOLT M8x45 | 4 |
| (47) | HEX FLANGED NUT M8 | 4 |

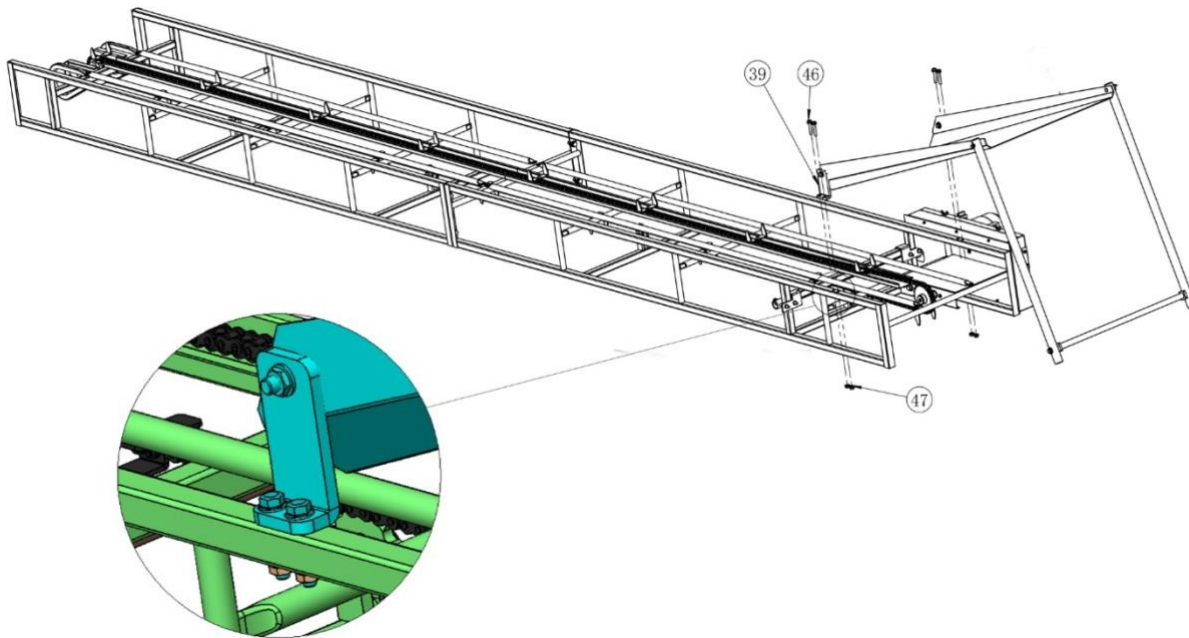
ASSEMBLY INSTRUCTIONS

STEP 1 - SET UP THE CHUTE



- Mount **LEG TUBE (37)** on both sides of **CHUTE BOARD (36)** using **PIN (40)** and **COTTER PIN (41)**.
- Attach **CROSS BRACE (38)** onto the bottom of **LEG TUBE (37)** by fastening on **HEX FLANGED BOLT M10x45 (42)** and tighten.
- Attach **MOUNTING BRACKET (39)** onto both sides of **CHUTE BOARD (36)** using **HEX FLANGED BOLT M10x25 (43)**, **FLAT WASHER M10 (44)** and **HEX THIN NUT M10 (45)**. The order of assembling is to push **HEX FLANGED BOLT M10x25 (43)** through the holes and place **FLAT WASHER M10 (44)** and **HEX THIN NUT M10 (45)** to the end of the bolt coming out from the outside of the **MOUNTING BRACKET (39)**.
- Fasten hardware, nut do not tighten.

STEP 2 - MOUNT THE CHUTE ONTO HAY ELEVATOR



- Align holes of **MOUNTING BRACKET (39)** with the predrilled holes on the frame of your Hay Elevator.
- Attach the **MOUNTING BRACKET (39)** to the frame using **HEX FLANGED BOLT M8x45 (46)** and **HEX FLANGED NUT M8 (47)**.
- Tighten all hardware attached.

ACKNOWLEDGEMENT OF RISK AND RELEASE OF LIABILITY

The use of any equipment, including this one, involves the potential risk of injury. Apart from any warranty claim that might be presented for a claimed defect in material or workmanship of the product, you accept and assume full responsibility for any and all injuries, damages (both economic and non-economic), and losses of any type, which may occur, and you fully and forever release and discharge Titan, its insurers, employees, officers, directors, associates, and agents from any and all claims, demands, damages, rights of action, or causes of action, present or future, whether the same be known or unknown, anticipated, or unanticipated, resulting from or arising out of the use of said equipment.

This equipment must be used with care by capable and competent individuals under supervision, if necessary.

TITAN LIMITED WARRANTY: TERMS, EXCLUSIONS AND LIMITATIONS OF REMEDIES

This product comes with a one (1) year limited warranty that can be found at www.palletforks.com/warranty.html. Please review the same for all details regarding the Titan Limited Warranty.

THE TITAN LIMITED WARRANTY FOUND AT WWW.PALLETFORKS.COM/WARRANTY.HTML IS EXCLUSIVE AND IS IN LIEU OF ALL OTHER WARRANTIES, EXPRESS OR IMPLIED, INCLUDING ANY IMPLIED WARRANTY OF MERCHANTABILITY AND/OR FITNESS FOR A PARTICULAR PURPOSE, EACH OF WHICH IS HEREBY DISCLAIMED.



NEED HELP? CONTACT US FIRST.

1-800-605-7595

info@palletworks.com
www.palletforks.com

© 2023 Titan Brands