

MOTORCYCLE LIFT

MOTOLIFT

840031



Operator's Manual



Read the Operator's Manual entirely. When you see this symbol, the subsequent instructions and warnings are serious follow without exception. Your life and the lives of others depend on it!

GENERAL COMMENTS AND WARNINGS

Congratulations on the purchase of your new TITAN product! This product was carefully designed and manufactured to give you many years of dependable service. Only minor maintenance (such as cleaning and lubricating) is required to keep it in top working condition. Be sure to observe all maintenance procedures and safety precautions in this manual and on any safety, decals located on the product and on any equipment that you use in conjunction with this product.

This manual is designed to help you do a better, safer job. Read this manual carefully and become familiar with its contents. **SAVE THIS MANUAL FOR FUTURE REFERENCE!**

UNPACKING

INSTRUCTIONS

- When unpacking the lift:
- Carefully remove the parts from the box.
- Make sure that all items listed in the packing list are included.
- Inspect the lift carefully to make sure no breakage or damage occurred during shipping.
- Do not discard the packing material until you have carefully inspected and successfully operated the tool.

WARNINGS

WARNING:

Safety, performance, and dependability have been given top priority in the design of this **TITAN** product making it easy to maintain and operate.

WARNING:

Do not attempt to use this product until you thoroughly read and completely understand the operator's manual. Pay close attention to the safety rules, including Dangers, Warnings, and Cautions. If you use your product properly and only as intended, you will enjoy years of safe, reliable service.

WARNING:

Before beginning operation, always wear ANSI-approved safety goggles and heavy-duty work gloves.

WARNING:

When using the lift basic safety precautions should always be followed to reduce the risk of personal injury and damage to equipment!

WARNING:

The warnings, cautions, and instructions discussed in this instruction manual cannot cover all possible conditions and situations that may occur. It must be understood by the operator that common sense and caution are factors which cannot be built into this product but must be supplied by the operator.

WARNING:

ALWAYS keep clear of load when lifting and lowering. **ALWAYS** check for obstructions prior to lifting and lowering. **ALWAYS** inspect before every use.

WARNING:

ALWAYS use on hard, level surface. **ALWAYS** secure load with an appropriate restraint device. **ALWAYS** apply parking brake and chock tires before lifting or lowering.

WARNING:

ALWAYS check your bottle jack to make sure it is working properly prior to actual use. If it does not appear to be working properly, troubleshoot prior to actual use. Bleeding the bottle jack is recommended when it does not appear to be working properly.

WARNING:

NEVER use if parts are loose or damaged. **NEVER** lift motorcycle with the rear wheel still on the ramp. **DO NOT ADJUST SAFETY VALVE.**

WARNING:

DO NOT EXCEED the stated limit or operate the jack beyond its rated capacity.

WARNING:

NEVER USE THIS LIFT IF ANY PART OF IT SEEMS TO BE DAMAGED OR MALFUNCTIONING! THIS CAN BE HIGHLY DANGEROUS!

GENERAL SAFETY RULES

WORK AREA CONDITIONS

Cluttered areas invite injuries.

ADDITIONAL WORK AREA CONDITIONS

Do not use machines or power tools in damp or wet locations. Do not expose to rain. Keep work area well lit.

KEEP CHILDREN AWAY

Children must never be allowed in the work area. Do not let them handle machines, tools, or extension cords.

STORE IDLE EQUIPMENT

When not in use tools must be stored in a dry location to inhibit rust. Always lock up tools and keep them out of the reach of children.

USE THE RIGHT TOOL FOR THE JOB.

Do not attempt to force a small tool or attachment to do the work of a larger industrial tool. There are certain applications for which this tool was designed. It will do the job better and safer at the rate for which it was intended. Do not modify this tool and do not use this tool for a purpose for which it was not intended.

DRESS PROPERLY.

Do not wear loose clothing or jewelry as they can get caught in moving parts. Protective, electrically non-conductive clothing and non-skid footwear are recommended when working. Wear restrictive hair covering to contain long hair

USE EYE PROTECTION

Always wear ANSI-approved impact safety glasses underneath a full-face shield during use. Also wear heavy duty work gloves.

DO NOT OVERREACH

Always keep proper footing and balance. Do not reach over or across running machines.

MAINTAIN TOOLS WITH CARE

Keep tools sharp and clean for better and safer performance. Follow instructions for lubricating and changing accessories. The handles must be kept clean, dry, and free from oil and grease at all times.

REMOVE ADJUSTING KEYS AND WRENCHES

Check that key and adjusting wrenches are removed from the tool or machine work surface before starting work.

STAY ALERT

Watch what you are doing. Use common sense. Do not operate any tool when you are tired.

CHECK FOR DAMAGED PARTS.

Before using any tool, any parts that appear damaged should be carefully checked to determine that it will operate properly and perform its intended function. Any part that is damaged should be replaced.

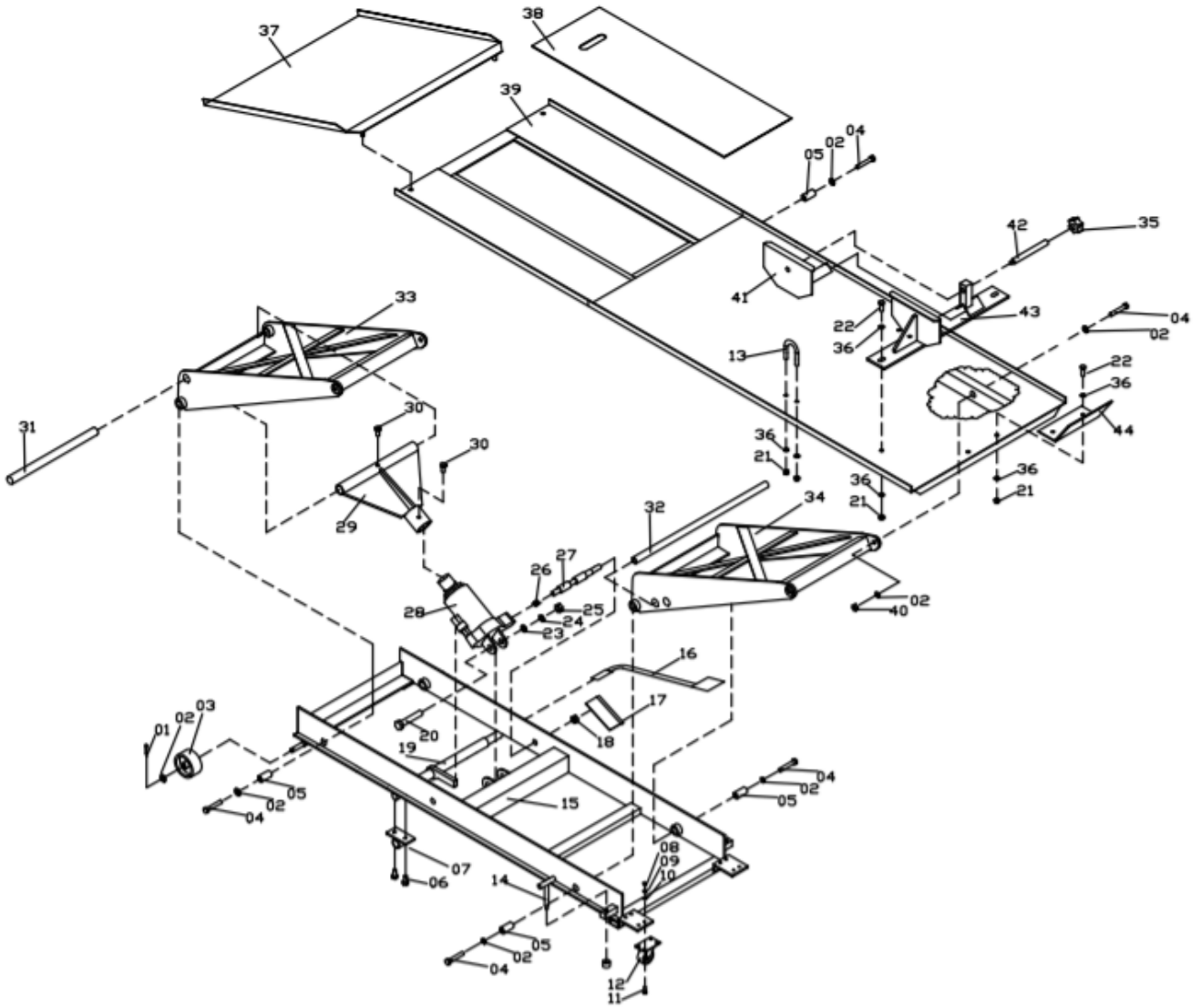
REPLACEMENT PARTS AND ACCESSORIES.

When servicing use only identical replacement parts. Use of any other parts will void the warranty. Only use accessories intended for use with this tool. Approved accessories are available from our company.

DO NOT OPERATE TOOLS IF UNDER THE INFLUENCE OF ALCOHOL OR DRUGS.

Read warning labels on prescriptions to determine if your judgment or reflexes are impaired while taking drugs.

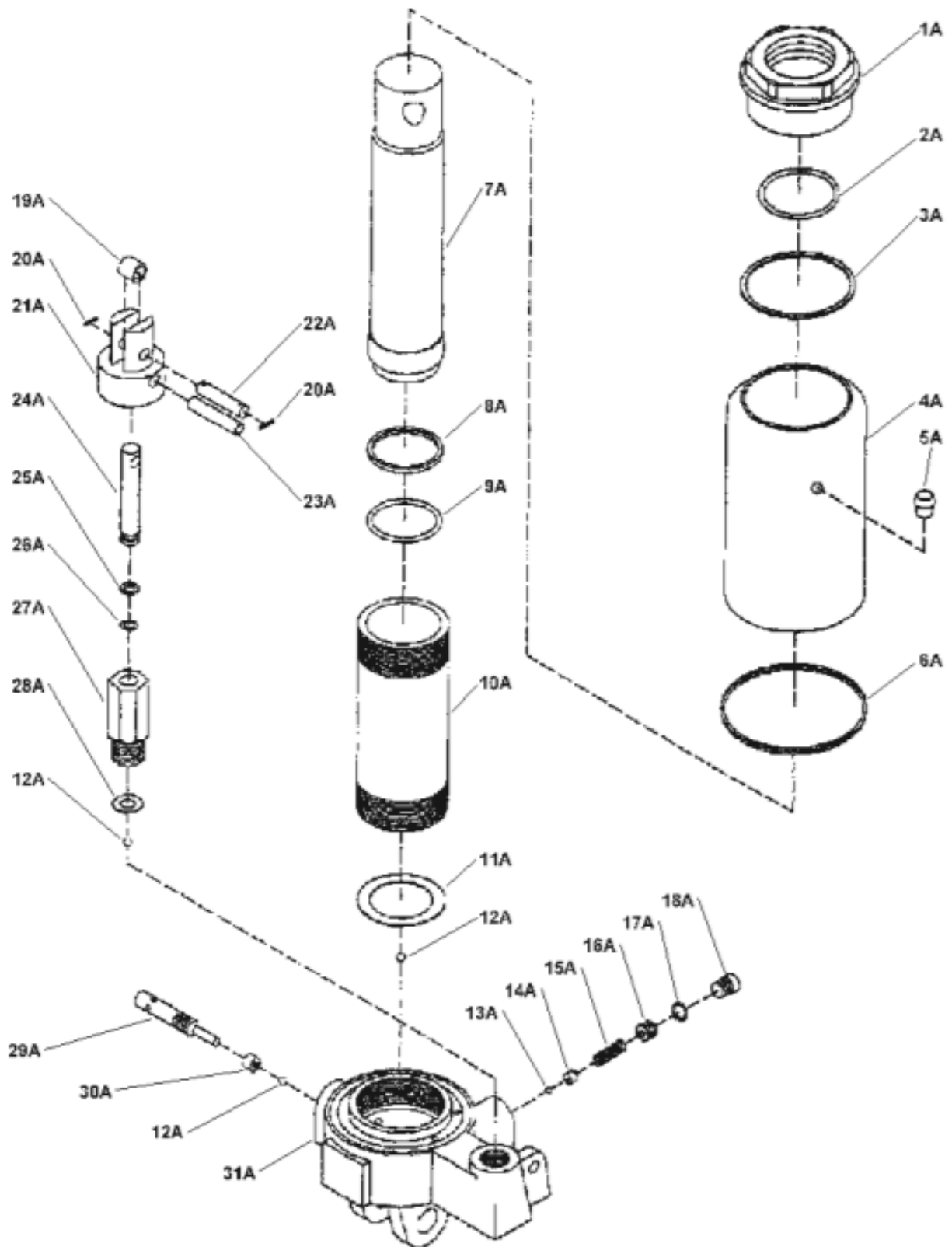
PARTS DIAGRAM / EXPLODED VIEW



PARTS LIST

KEY	BOX	DESCRIPTION	QTY	KEY	BOX	DESCRIPTION	QTY
(1)	1	PIN	2	(23)	1	φ16 WASHER	1
(2)	1	φ12 WASHER	18	(24)	1	φ16 SPRING WASHER	1
(3)	1	FRONT WHEEL	2	(25)	1	NUT M16	1
(4)	1	BOLT M12X60	8	(26)	1	SPRING	1
(5)	1	LINEAR TUBE	4	(27)	1	RELEASE VALVE SPINDLE	1
(6)	1	BOLT M8X20	2	(28)	1	HYDRAULIC PUMP	1
(7)	1	PLATE	1	(29)	1	JOCKEY	1
(8)	1	NUT M6	8	(30)	1	BOLT M10X16	2
(9)	1	φ6 WASHER	8	(31)	1	PIN	1
(10)	1	φ6 SPRING WASHER	8	(32)	1	LOCKING BAR	1
(11)	1	BOLT M6X16	8	(33)	1	LIFTING ARM	1
(12)	1	CASTER	2	(34)	1	LIFTING ARM	1
(13)	1	“U” BOLT	2	(35)	1	HANDLE	1
(14)	1	ADJUSTING SCREW	2	(36)	1	φ10 WASHER	12
(15)	1	BASE ASSEMBLY	1	(37)	1	RAMP	1
(16)	1	LIFT FOOT PEDAL	1	(38)	1	SIDING PLATE	1
(17)	1	FOOT PLATE	1	(39)	1	PLATFORM	1
(18)	1	NUT M16	1	(40)	1	NUT M12	4
(19)	1	CONTROLLER	1	(41)	1	LEFT SIDE VICE	1
(20)	1	BOLT M16X85	1	(42)	1	BOLT	1
(21)	1	NUT M10	4	(43)	1	RIGHT SIDE VICE	1
(22)	1	BOLT M10X25	4	(44)	1	BAFFLE PLATE	1

PUMP PARTS DIAGRAM / EXPLODED VIEW



PUMP PARTS LIST

KEY	BOX	DESCRIPTION	QTY	KEY	BOX	DESCRIPTION	QTY
(1A)	1	TOP NUT	1	(17A)	1	O-RING	1
(2A)	1	O-RING	1	(18A)	1	SCREW	1
(3A)	1	NYLON RING	1	(19A)	1	SET NUT	1
(4A)	1	RESERVOIR	1	(20A)	1	R-PIN	2
(5A)	1	OIL PLUG	1	(21A)	1	COVER	1
(6A)	1	NYLON RING	1	(22A)	1	SHORT AXLE	1
(7A)	1	PISTON ROD	1	(23A)	1	LONG AXLE	1
(8A)	1	NYLON RING	1	(24A)	1	PUMP PISTON	1
(9A)	1	O-RING	1	(25A)	1	SEALING RING	1
(10A)	1	CYLINDER	1	(26A)	1	O-RING	1
(11A)	1	NYLON RING	1	(27A)	1	REGULATING PLUG	1
(12A)	1	STEEL BALL	3	(28A)	1	COPPER WASHER	1
(13A)	1	STEEL BALL	1	(29A)	1	RELEASE VALVE	1
(14A)	1	RING	1	(30A)	1	RING	1
(15A)	1	ADJUSTABLE SPRING	1	(31A)	1	BASE	1
(16A)	1	ADJUSTABLE SCREW	1				

ASSEMBLY INSTRUCTIONS

USE THE PARTS DIAGRAM AND TABLE AS YOUR GUIDE FOR THIS ASSEMBLY. ASSEMBLY WITH TWO OR MORE PEOPLE IS MUCH SAFER AND EASIER THAN ASSEMBLING THIS PRESS ALONE!

1. Attach the casters to the frame assembly using the bolts, washers, and nuts shown in the parts diagram.
2. Screw in the adjustment screws and attach the base.
3. Attach the vise base to the front of the platform using the bolts, washers, and nuts as shown in the parts diagram.
4. Attach the stop plate to the platform using the bolts, washers, and nuts as shown in the parts diagram.
5. Attach the foot pedal to the pump input shaft. Then, attach the release pedal to the valve shaft as shown in the parts diagram.
6. Install the access panel so that it covers the opening in the platform.
7. Install the ramp to the back of the platform and insert both pins from the bottom up into the holes in the platform.

GENERAL OPERATING INSTRUCTIONS:

1. **Put the lift on a flat surface capable of supporting at least 1300 lbs.**
2. **Raise the casters off the ground using the adjustment screws.**
3. **Stabilize the motorcycle on the lift.**
 - a. First, use the motorcycle stand.
 - b. Then, clamp the vise to the front wheel.
 - c. Adjust the stop plate against the motorcycle tire and tighten the bolts to hold it in place.
 - d. Use tie-down straps to strap the motorcycle to the table.
4. **To lift:**
 - a. Pump the foot pedal to raise the lift.
 - b. Put the locking bar through the holes in the rear lifting arm so that it cannot be lowered unintentionally.
 - c. Once the locking bar is in place, gently use the release pedal to lower the platform until the load is fully resting on the locking bar (not on the jack).
5. **To lower:**
 - a. Check to make sure there are no tools, parts, etc. on or under the vehicle.
 - b. Pump the foot pedal slightly to bring the lift off of the locking bar.
 - c. Remove the locking bar.
 - d. Gently press the release pedal to lower to the ground.
 - e. Remove all safety straps and un-clamp from the vise to remove motorcycle.
 - f. Unscrew the adjustment screws to lower the lift back onto casters.

6. **Maintain this lift properly** – store and maintain in a protected environment; do not expose to excessive moisture; protect from corrosive materials; clean regularly with water or suitable detergent; check oil levels; check hydraulic fluid levels; keep lubricated; bleed the jack if it does not seem to be working properly.

ACKNOWLEDGEMENT OF RISK AND RELEASE OF LIABILITY

The use of any equipment, including this one, involves the potential risk of injury. Apart from any warranty claim that might be presented for a claimed defect in material or workmanship of the product, you accept and assume full responsibility for any and all injuries, damages (both economic and non-economic), and losses of any type, which may occur, and you fully and forever release and discharge Titan, its insurers, employees, officers, directors, associates, and agents from any and all claims, demands, damages, rights of action, or causes of action, present or future, whether the same be known or unknown, anticipated, or unanticipated, resulting from or arising out of the use of said equipment.

This equipment must be used with care by capable and competent individuals under supervision, if necessary.

TITAN LIMITED WARRANTY: TERMS, EXCLUSIONS AND LIMITATIONS OF REMEDIES

This product comes with a one (1) year limited warranty that can be found at www.palletforks.com/warranty.html. Please review the same for all details regarding the Titan Limited Warranty.

THE TITAN LIMITED WARRANTY FOUND AT WWW.PALLETFORKS.COM/WARRANTY.HTML IS EXCLUSIVE AND IS IN LIEU OF ALL OTHER WARRANTIES, EXPRESS OR IMPLIED, INCLUDING ANY IMPLIED WARRANTY OF MERCHANTABILITY AND/OR FITNESS FOR A PARTICULAR PURPOSE, EACH OF WHICH IS HEREBY DISCLAIMED.



NEED HELP? CONTACT US FIRST.

1-800-605-7595

info@palletworks.com

www.palletforks.com

© 2024 Titan Brands