

POST AND TREE PULLER

TTP13v2, TTP13-TTP13PB, TP13PB

198114, 198116, 198115



Operator's Manual

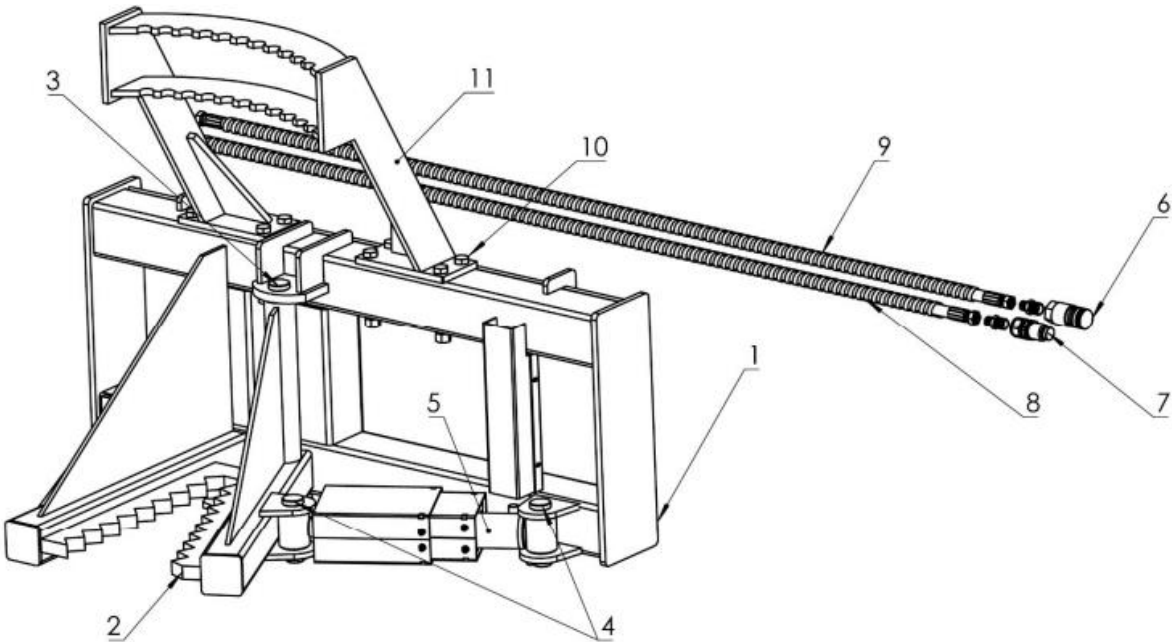


Read the Operator's Manual entirely. When you see this symbol, the subsequent instructions and warnings are serious follow without exception. Your life and the lives of others depend on it!

PARTS DIAGRAM / EXPLODED VIEW

<p>198114 - TTP13v2</p>	<p>Skid Steer Post and Tree Puller</p>	
<p>198115 - TTP13PB</p>	<p>Push Bar for Post and Tree Puller</p>	
<p>198116 - TTP13-TTP13PB</p>	<p>Post and Tree Puller with Push Bar</p>	

PARTS DIAGRAM / EXPLODED VIEW



KEY	PART NUMBER	DESCRIPTION	QTY
(1)	P198114 - 1	FRAME OF TREE PULLER	1
(2)	P198114 - 2	ARM	1
(3)	P198114 - 3	PIN FOR ARM	1
(4)	P198114 - 4	PIN FOR CYLINDER	2
(5)	P198114 - 5	TTP13v2 CYLINDER	1
(6)	FFC12M	Male Flat Face Coupler ½" Thread	1
(7)	FFC12F	Female Flat Face Coupler ½" Thread	1
(8)	P198114-6A	Feed Hose Straight Fitting	1
(9)	P198114-6B	Return Hose 90°	1
(10)	P198114-10	Bolt M16*130 & Nut M16	8&8
(11)	TTP13PB	198115	1

ASSEMBLY INSTRUCTIONS

- COMES FULLY ASSEMBLED.
 - o Minor assembly to install the Push Bar

ACKNOWLEDGEMENT OF RISK AND RELEASE OF LIABILITY

The use of any equipment, including this one, involves the potential risk of injury. Apart from any warranty claim that might be presented for a claimed defect in material or workmanship of the product, you accept and assume full responsibility for any and all injuries, damages (both economic and non-economic), and losses of any type, which may occur, and you fully and forever release and discharge Titan, its insurers, employees, officers, directors, associates, and agents from any and all claims, demands, damages, rights of action, or causes of action, present or future, whether the same be known or unknown, anticipated, or unanticipated, resulting from or arising out of the use of said equipment.

This equipment must be used with care by capable and competent individuals under supervision, if necessary.

WARNING



Do not overfill! Mower should be level when checking oil in gear box.



some activities might be able to cause electric shock



Sharp objects may be involved.
Use protective cover during maintenance.

TITAN LIMITED WARRANTY: TERMS, EXCLUSIONS AND LIMITATIONS OF REMEDIES

This product comes with a one (1) year limited warranty that can be found at www.palletforks.com/warranty.html. Please review the same for all details regarding the Titan Limited Warranty.

THE TITAN LIMITED WARRANTY FOUND AT WWW.PALLETFORKS.COM/WARRANTY.HTML IS EXCLUSIVE AND IS IN LIEU OF ALL OTHER WARRANTIES, EXPRESS OR IMPLIED, INCLUDING ANY IMPLIED WARRANTY OF MERCHANTABILITY AND/OR FITNESS FOR A PARTICULAR PURPOSE, EACH OF WHICH IS HEREBY DISCLAIMED.



NEED HELP? CONTACT US FIRST.

1-800-605-7595

info@palletworks.com
www.palletforks.com

© 2024 Titan Brands