

WALL MOUNTED PULLEY TOWER V3

SHPULTWRv3b, TLLPULTWRv3b

401866, 401867

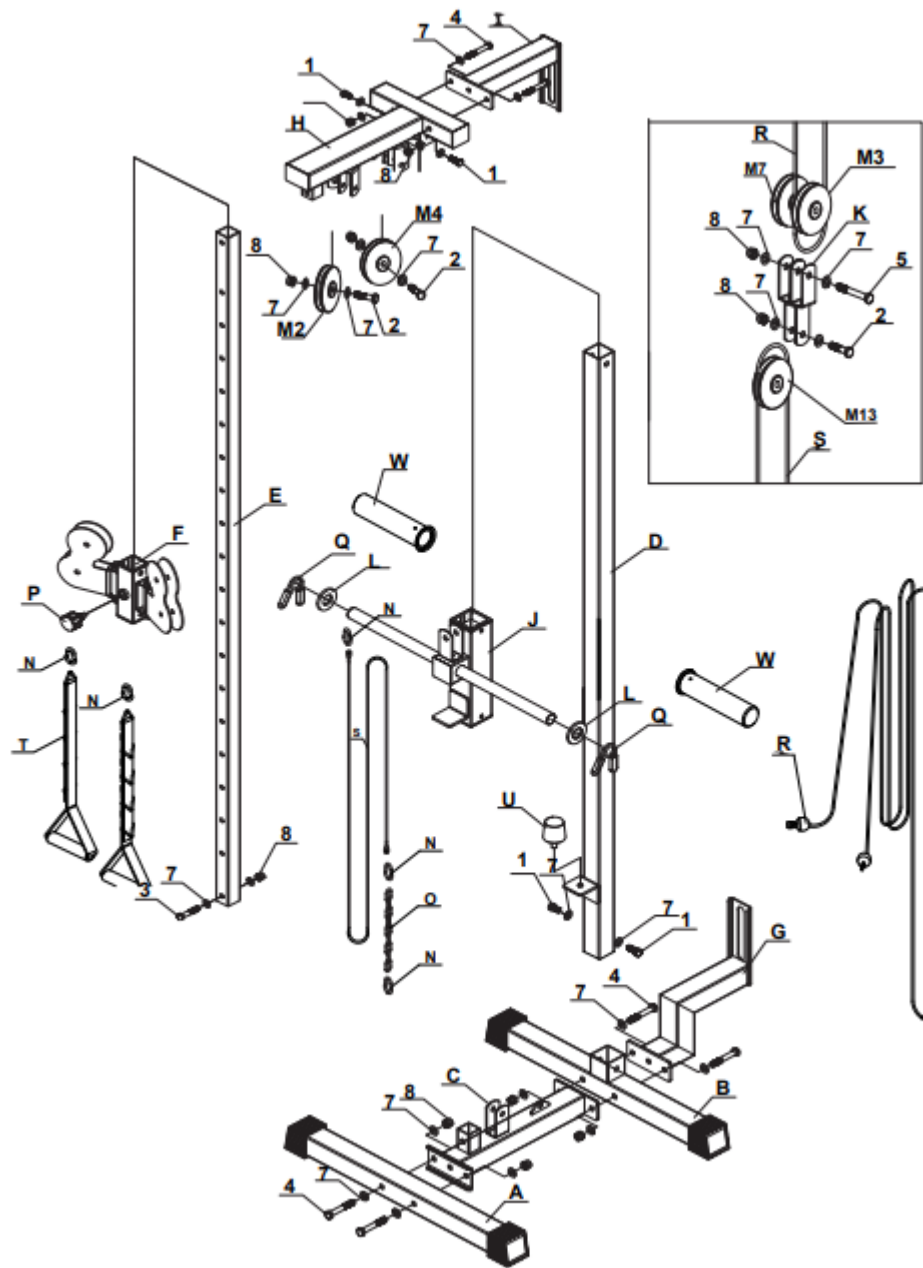


Operator's Manual




















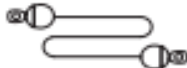
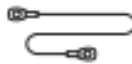




Read the Operator's Manual entirely. When you see this symbol, the subsequent instructions and warnings are serious follow without exception. Your life and the lives of others depend on it!

PARTS DIAGRAM / EXPLODED VIEW









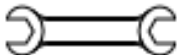


ASSEMBLY INSTRUCTIONS

PARTS LIST

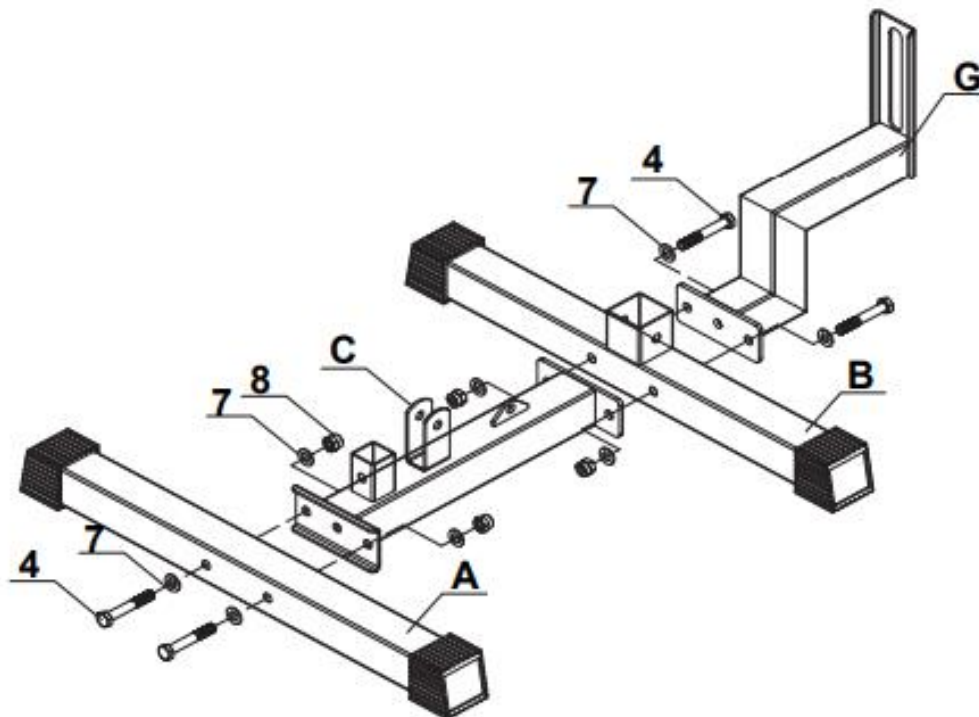
A Front Beam 1 PC 	B Rear Beam 1PC 	C Base Frame 1 PC 	D Guide Tube 1 PC 
E Front Upright 1 PC 	F Multi-Pulley Bracket 1PC 	G Lower Mounting Frame 1 PC 	H Upper Fixing Frame 1 PC 
I Upper Mounting Frame 1 PC 	J Weight Carriage(1") 1PC 	K Movable Pulley Bracket 1 PC 	L Rubber Cushion 2 PCS 
M Pulley 13 PCS 	N Safety Hook 5PCS 	O Chain 1 PC 	P Knob 1 PC 
Q Spring Clip 2 PCS 	R Cable(Long) 1PC 	S Cable(Short) 1 PC 	T Drawstring 2 PCS 
U Rubber Bumper 1 PC 	V END COVER 4 PCS 	W PLATE SLEEVE(2") 2 PCS 	

HARDWARE LIST

1 BOLT(M10*20)  4 PCS	2 BOLT(M10*40)  11 PCS	3 BOLT(M10*50)  2 PCS	4 BOLT(M10*70)  6 PCS
5 BOLT(M10*75)  1 PC	6 Allen Key  1 PC	7 WASHER(M10)  44 PCS	8 NYLON NUT(M10)  20 PCS
9 Wrench  2 PCS			

KEY	BOX	DESCRIPTION	QTY	KEY	BOX	DESCRIPTION	QTY
A	1	Front Beam	1	Q	1	Spring Clip	2
B	1	Rear Beam	1	R	1	Cable(Long)	1
C	1	Base Frame	1	S	1	Cable(short)	1
D	1	Guide Tube	1	T	1	Drawstring	2
E	1	Front Upright	1	U	1	Rubber Bumper	1
F	1	Multi-Pulley bracket	1	V	1	End Cover	4
G	1	Lower Mounting Frame	1	W	1	Plate Sleeve(2")	2
H	1	Upper Fixing Frame	1	1	1	M10x20mm Bolt	4
I	1	Upper Mounting Frame	1	2	1	M10 x 45mm Bolt	11
J	1	Weight Carriage(1")	1	3	1	M10 x 50mm Bolt	2
K	1	Movable Pulley Bracket	1	4	1	M10 x 70mm Bolt	6
L	1	Rubber Cushion	2	5	1	M10 x 75mm Bolt	1
M	1	Pulley	13	6	1	Hallen Key	1
N	1	Safety Hook	5	7	1	M10 Washer	44
O	1	Chain	1	8	1	M10 Nylon Locknut	20
P	1	Knob	1	9	1	Wrench	2

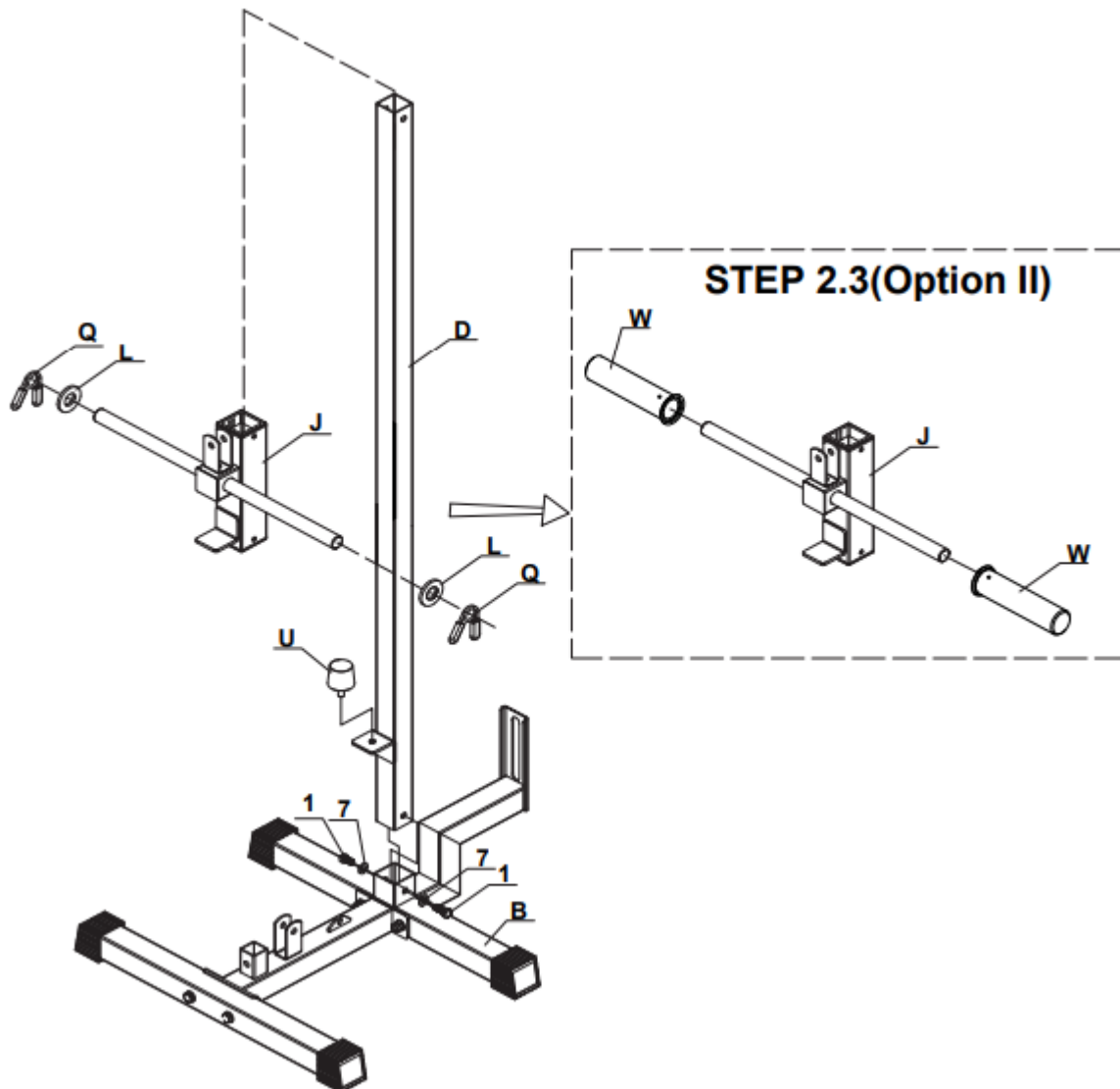
Step 1



1.1 Push the END COVER (V) onto the end of FRONT BEAM (A) and the end of REAR BEAM (B).

1.2 Assemble the BASE FRAME (C), FRONT BEAM(A), REAR BEAM(B) and LOWER MOUNTING FRAME(G) using BOLT M10x70(4), WASHER M10(7) and NYLON NUT M10(8)

STEP 2

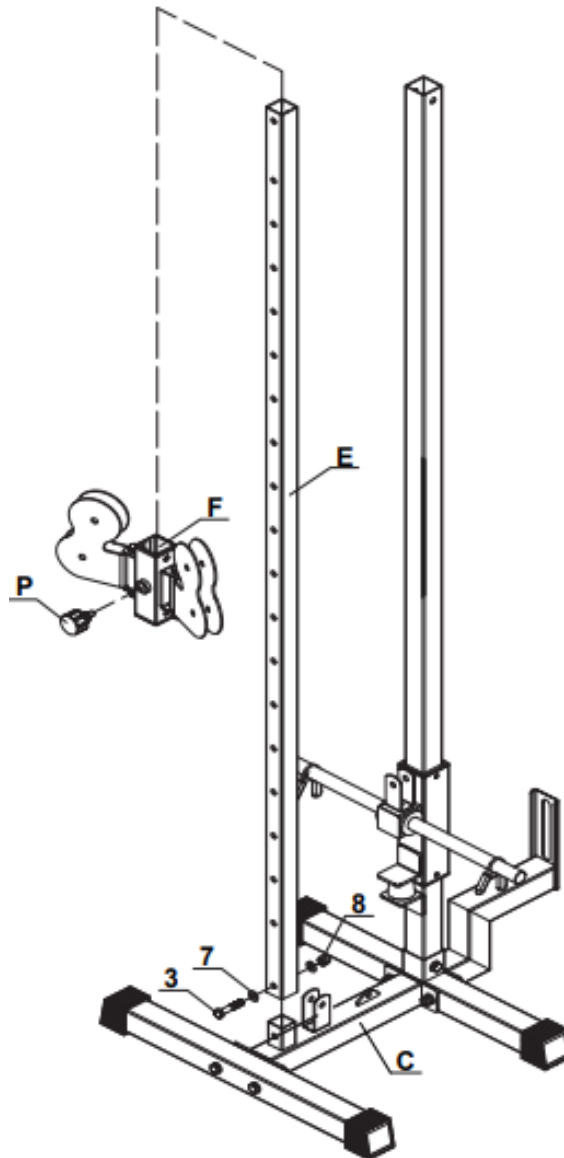


2.1 Attach the GUIDE TUBE(D) to the REAR BEAM(B) using BOLT M10x20 (1) and WASHER M10 (7).

2.2 Screw the RUBBER BUMPER (U) ON the GUIDE TUBE (D) Slide the WEIGHT CARRIAGE (J) on the GUIDE TUBE (D).

2.3 (Option I): Slide the RUBBER CUSHION(L) and SPRING CLIP(Q) onto the rod of WEIGHT CARRIAGE (1") (J). (Option II): Slide PLATE SLEEVE (2") (W) onto the rod of WEIGHT CARRIAGE (1") (J), then screw the nut of PLATE SLEEVE (2") (W).

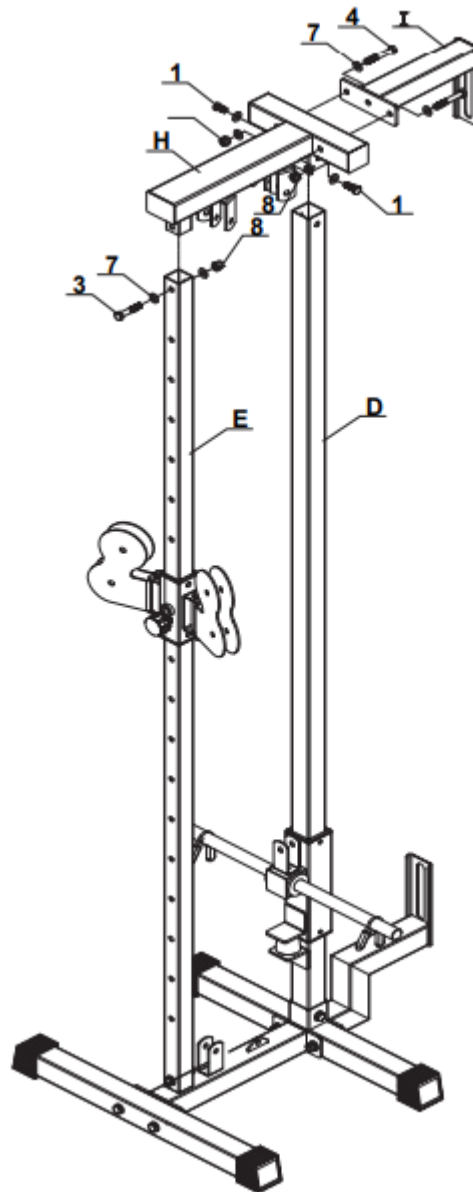
Step 3



3.1 Attach the FRONT UPRIGHT (E) to the BASE FRAME (C) using BOLT M10x50 (3), WASHER M10 (7) and NYLON NUT M10 (8).

3.2 Slide the MULTI-PULLEY BRACKET (F) onto FRONT UPRIGHT (E), screw the KNOB (P) into the MULTI-PULLEY BRACKET (F).

Step 4

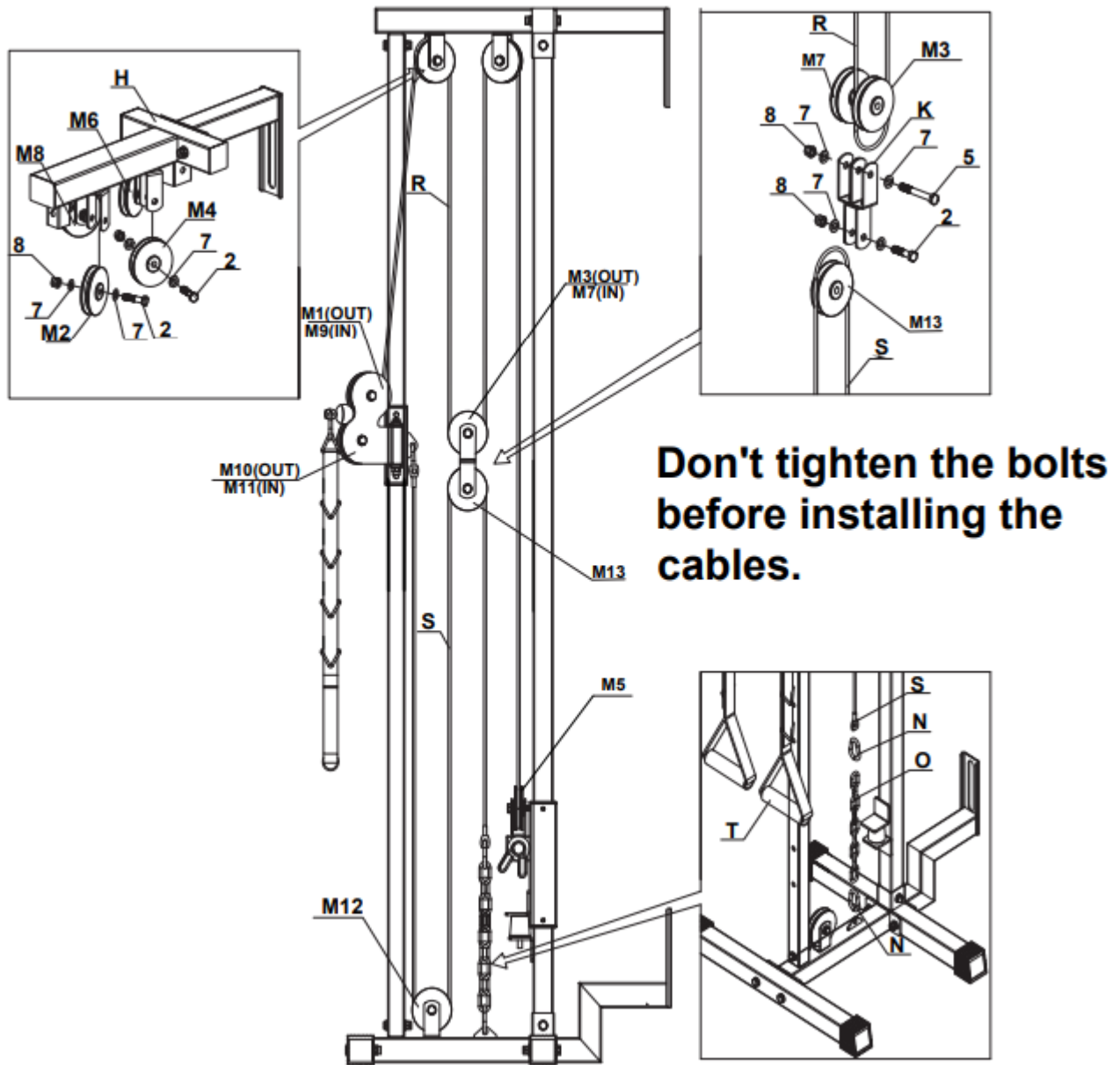


4.1 Assemble the UPPER FIXING FRAME (H) to the FRONT UPRIGHT (E) using BOLT M10x50 (3), WASHER M10 (7) and NYLON NUT M10 (8).

4.2 Assemble the UPPER FIXING FRAME (H) to the GUIDE TUBE (D) using BOLT M10x20 (1) and WASHER M10 (7).

4.3 Assemble the UPPER MOUNTING FRAME (I) to the UPPER FIXING FRAME (H) using BOLT M10x70 (4), WASHER M10 (7) and NYLON NUT M10 (8).

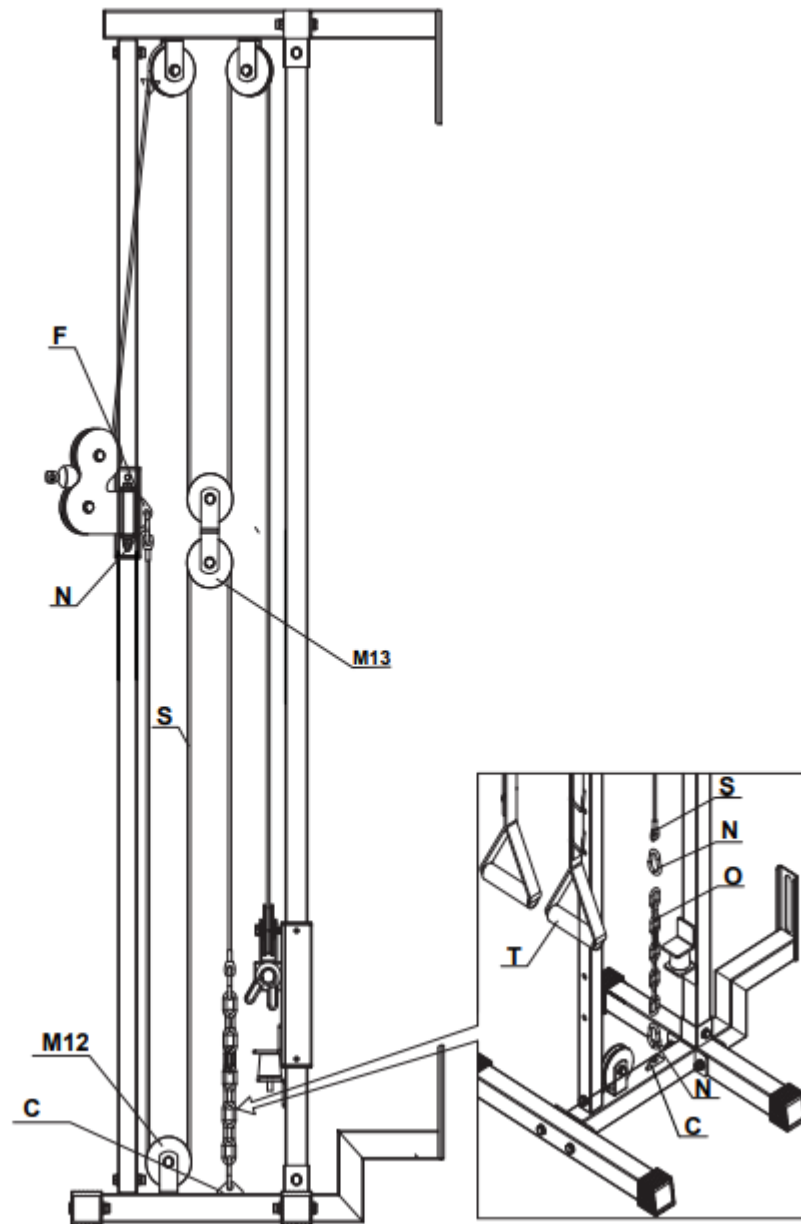
Step 5



5.1 Assemble two pcs PULLEY (M3/M7) to the MOVABLEPULLEY BRACKET (K) using BOLT M10x75 (5), WASHERM10 (7) and NYLON NUT M10 (8).

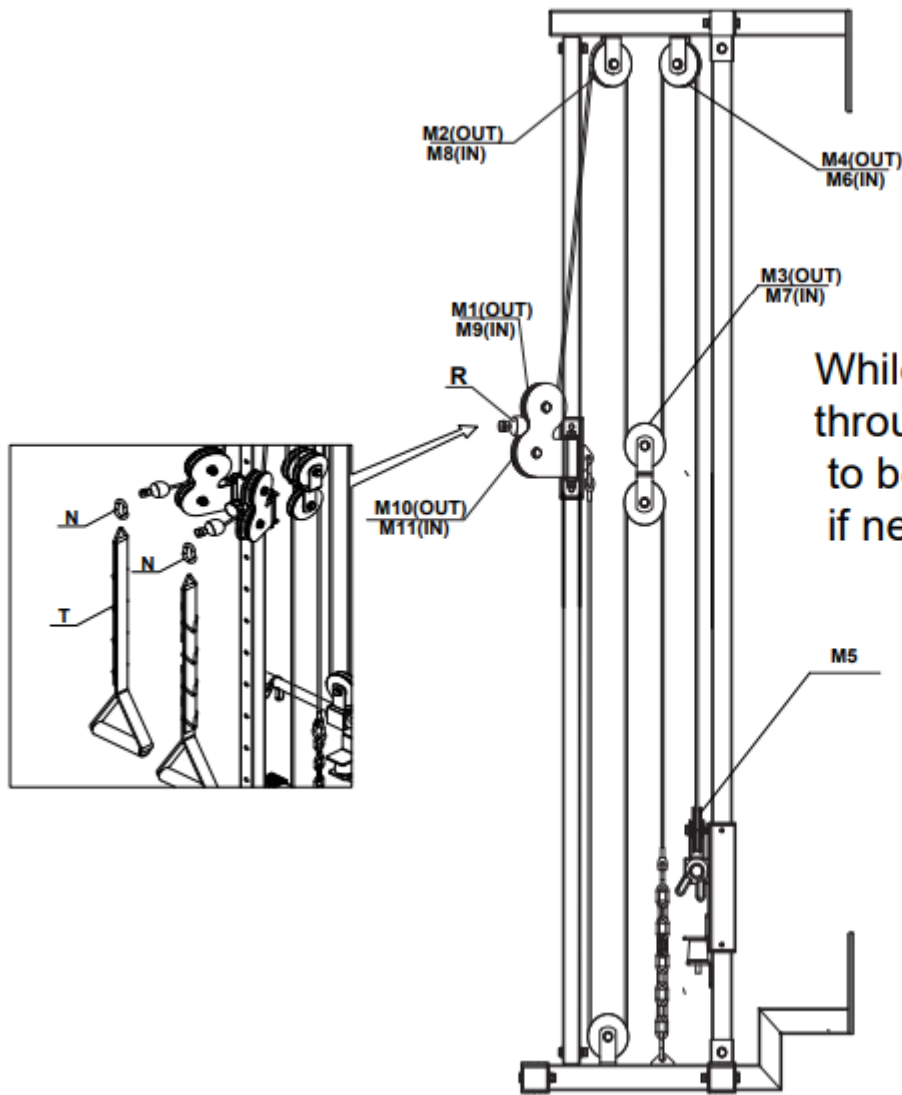
5.2 Assemble the other 11 pcs PULLEY (M1~M13, EXCEPTM3&M7) to its own BRACKET (K) using BOLTM10x45 (2), WASHER M10 (7) and NYLON NUT M10(8).
(Assembly position is shown in the figure above)

Step 6



6. Fix the CABLE (SHORT)(S) to the MULTI-PULLEY BRACKET (F) using SAFETY HOOK (N), insert it through the bottom of PULLEY (M12), through the above of PULLEY (M13), then fix the other end of CABLE (S) to the BASE FRAME (C) using the SAFETY HOOK (N) and the CHAIN (O).

Step 7



TIPS

While passing the CABLE(R) through each pulley, it needs to be removed and reinstalled if necessary.

7.1 Install the CABLE (LONG)(R) in the following route: Pass through the PULLEY (M1&M10), above M2, below M3, above M4, below M5 (from the same side), above M6, below M7, above M8, finally pass through M9 &M11.

7.2 Attach the DRAWSTRING(T) to the end of CABLE(LONG)(R) using the SAFETY HOOK(N)

Attention: Please make sure all the cables are put in the groove of pulley and tighten all nut-and-bolt combinations before use.

ACKNOWLEDGEMENT OF RISK AND RELEASE OF LIABILITY

The use of any equipment, including this one, involves the potential risk of injury. Apart from any warranty claim that might be presented for a claimed defect in material or workmanship of the product, you accept and assume full responsibility for any and all injuries, damages (both economic and non-economic), and losses of any type, which may occur, and you fully and forever release and discharge Titan, its insurers, employees, officers, directors, associates, and agents from any and all claims, demands, damages, rights of action, or causes of action, present or future, whether the same be known or unknown, anticipated, or unanticipated, resulting from or arising out of the use of said equipment.

This equipment must be used with care by capable and competent individuals under supervision,

WARNING



Heavy object. Use lifting aids and proper lifting techniques when moving.



Choking hazard. Small parts – Please exercise caution if small children or pets are present.



Sharp objects may be involved. Use precaution and protection.

TITAN LIMITED WARRANTY: TERMS, EXCLUSIONS AND LIMITATIONS OF REMEDIES

This product comes with a one (1) year limited warranty that can be found at www.titan.fitness/warranty.html Please review the same for all details regarding the Titan Limited Warranty.

THE TITAN LIMITED WARRANTY FOUND AT WWW.TITAN.FITNESS/WARRANTY IS EXCLUSIVE AND IS IN LIEU OF ALL OTHER WARRANTIES, EXPRESS OR IMPLIED, INCLUDING ANY IMPLIED WARRANTY OF MERCHANTABILITY AND/OR FITNESS FOR A PARTICULAR PURPOSE, EACH OF WHICH IS HEREBY DISCLAIMED.



NEED HELP? CONTACT US FIRST.

1-888-410-1503

info@titan.fitness

www.titan.fitness

© 2024 Titan Brands