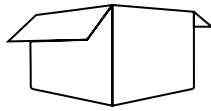




899511 - ParkGrillv2_AE, 899993 - ParkGrillv2-PGBDB

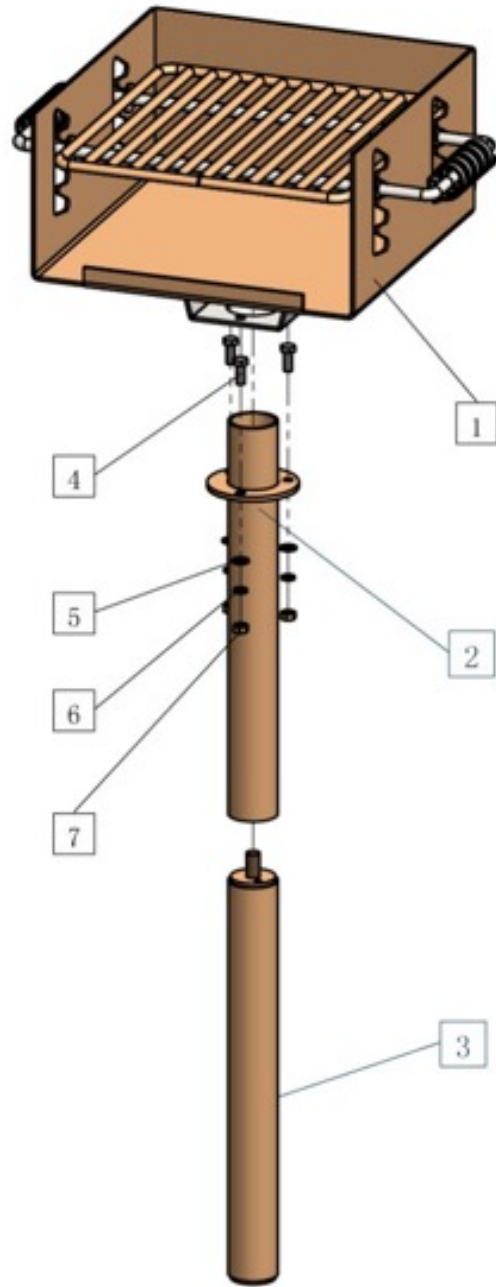
256 Sq. In. Park-Style Charcoal Grill





UNBOXING

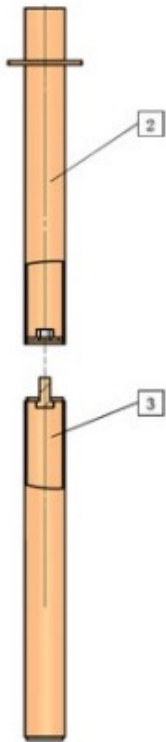
- 1.** GRILL Box (1 PC)
- 2.** UPPER POST (1 PC)
- 3.** LOWER POST (1 PC)
- 4.** HEX BOLT M10X25 (3 PC)
- 5.** FLAT WASHER 10 (3 PC)
- 6.** SPRING WASHER 10 (3 PC)
- 7.** HEX NUT M10 (3 PC)



STEP 1

1. CONNECT UPPER POST TO LOWER POST

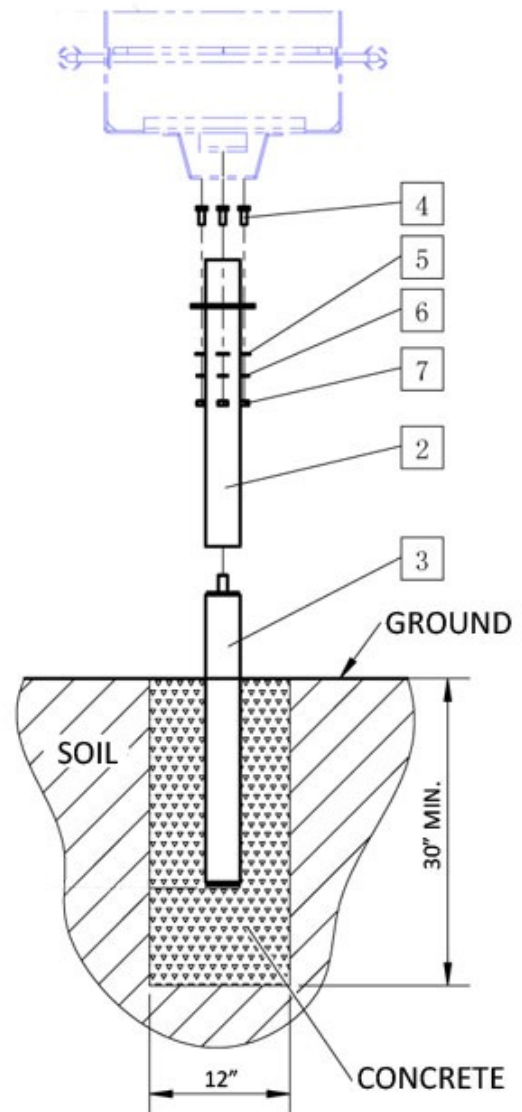
Screw Upper Post (2) onto Lower Post (3) and tighten.



2. FOUNDATION WORK

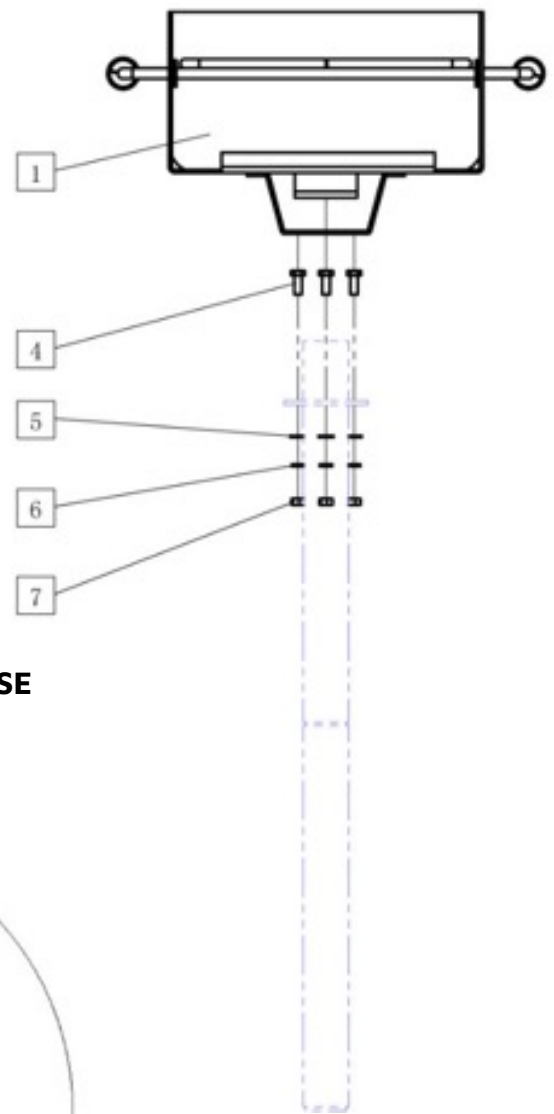
Use a post hole digger to dig a hole with minimum diameter of 12" by 30" deep and fill the hole with concrete.

Push the Post into concrete for minimum 10" deep, leaving about 30" above the ground. It is very important to make sure that the post is plumbed vertically. Do not install the Grill Box (1) on Post until concrete is fully cured.

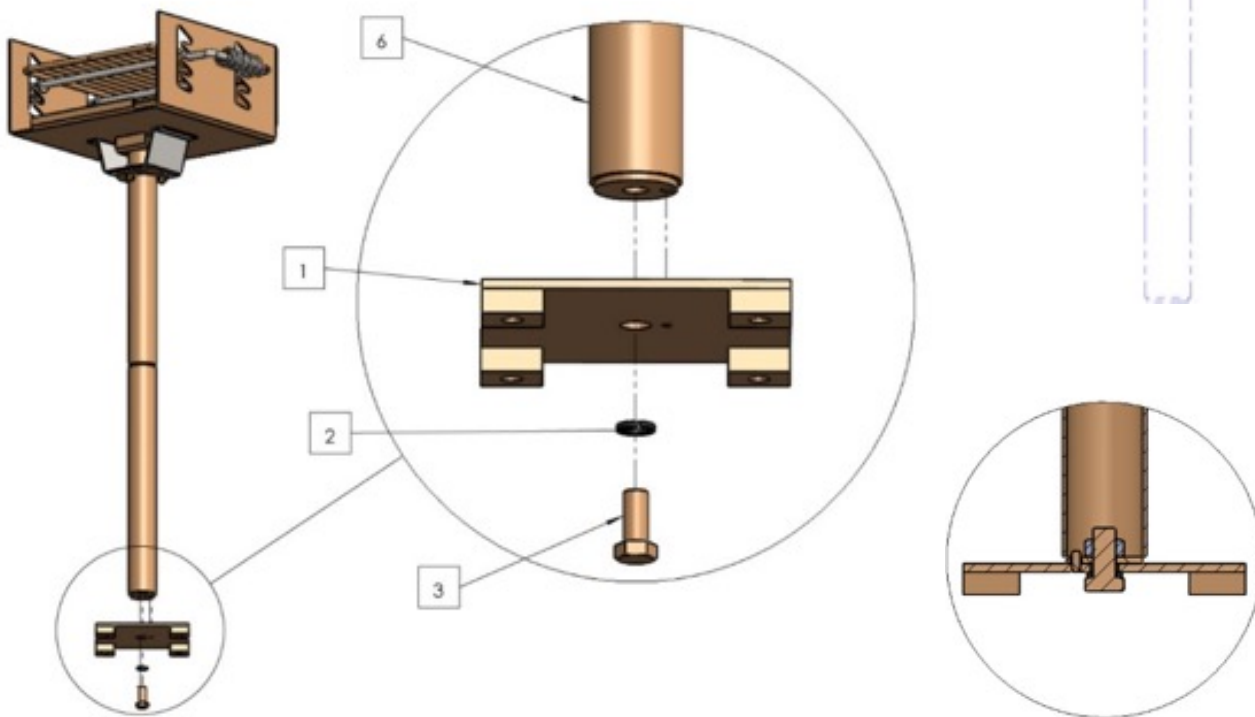


3. INSTALLING GRILL BOX ON POST

Make sure that the concrete holding the Post is fully cured. Align the bottom bracket holes of Grill Box (1) with flange holes of the Upper Post (2) at Post top. Lock the Grill Box (1) by using Hex Bolt M10x25 (4), Flat Washer 10 (5), Spring Washer 10 (6) and Hex Nut M10 (7). The order of assembling is to push Hex Bolt M10x25 (4) through the holes, and then and then place FLAT WASHER 10 (5), SPRING WASHER 10 (6) and HEXA NUT M10 (7) onto the end of the bolt. Fasten all hardware.

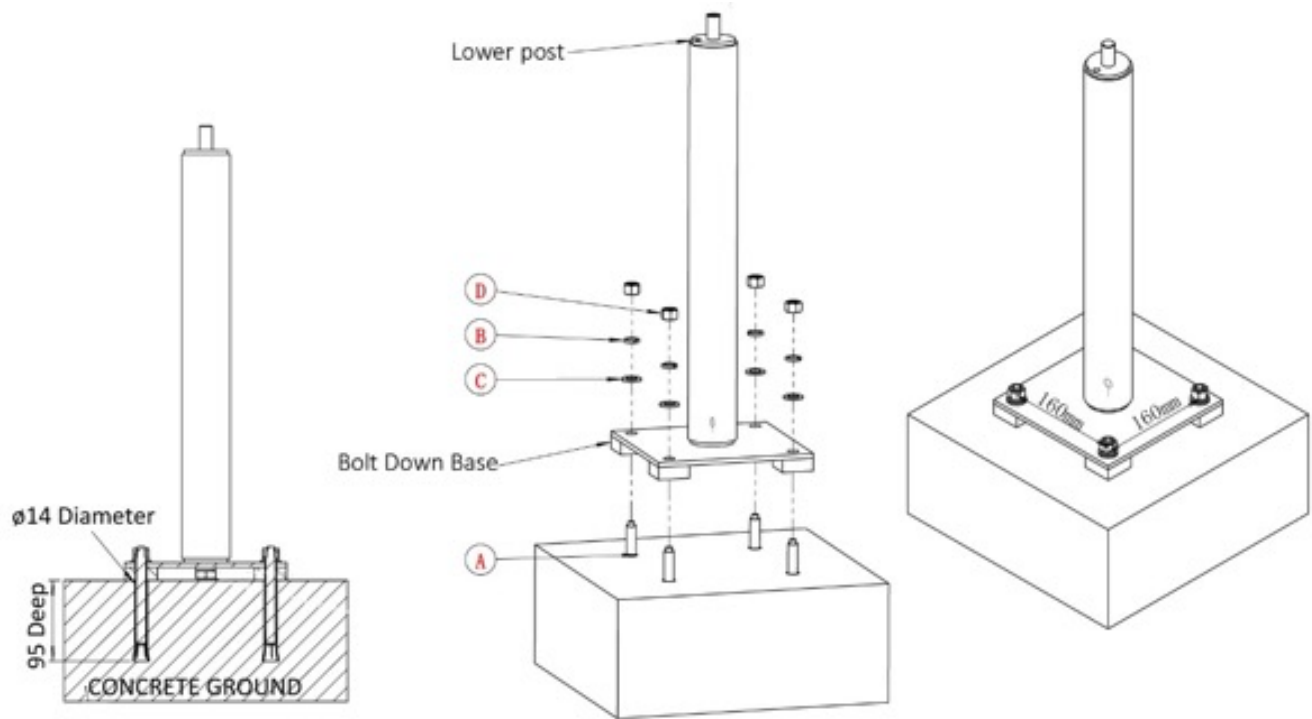


STEP 1 - INSTALLING LOWER POST ONTO BOLT DOWN BASE



1. Align pin on Bolt Down Base (1) with the pin hole at the bottom of the ParkGrillv2 Lower Post (6).
2. Align Hex Bolt M16x35 (3) and Spring Washer M16 (2) with the center hole on Bolt Down Base (1) from bottom.
3. Fasten and tighten all hardware.

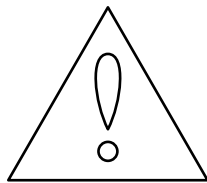
STEP 2 – INSTALLING BOLT DOWN BASE TO GROUND



Concrete Anchor (not supplied):

| | | |
|----------|--------------------------------|----------|
| A | CONCRETE ANCHOR M12X120 | 4 |
| B | FLAT WASHER M12 | 4 |
| C | SPRING WASHER M12 | 4 |
| D | HEX NUT M12 | 4 |

1. Please note that bolting down the base requires customer to buy 4 Concrete Anchors (A). We recommend buying
 - M12x120 concrete anchor kit with spring washer, flat washer, and hex nut.
2. Drill 4 holes on concrete ground as follows:
 - Hole Diameter: 14 mm
 - Hole Depth: 95 mm
 - Holes center to center distance: 160 mm
3. Insert the Concrete Anchor (A) onto Bolt Down Base/Lower Post assembly from bottom, and put on Spring Washer M12 (C), Flat Washer M12 (B) and Hex Nut M12 (D) on top. Do not tighten.
4. Align the concrete anchors with the predrilled holes on the concrete ground and push them inside the holes.
5. Slowly tighten the hardware to expand the outer shell of the concrete anchors until they are firmly anchored inside the holes.



WARNINGS



Heavy object. Use lifting aids and proper lifting techniques when moving.



Sharp objects may be involved. Use precaution and protection.



Choking hazard. Small parts - Please exercise caution if small children or pets are present.

Acknowledgement of Risk & Release of Liability

The use of any equipment, including this one, involves the potential risk of injury. Apart from any warranty claim that might be presented for a claimed defect in material or workmanship of the product, you accept and assume full responsibility for any and all injuries, damages (both economic and non-economic), and losses of any type, which may occur, and you fully and forever release and discharge Titan, its insurers, employees, officers, directors, associates, and agents from any and all claims, demands, damages, rights of action, or causes of action, present or future, whether the same be known or unknown, anticipated, or unanticipated, resulting from or arising out of the use of said equipment. This equipment must be used with care by capable and competent individuals under supervision, if necessary.

Time Limited Warranty: Terms, Exclusions & Limitations of Remedies

This product comes with a one (1) year limited warranty that can be found at www.ashandemberoutdoors.com/warranty.html. Please review the same for all details regarding the Titan Limited Warranty.

THE TITAN LIMITED WARRANTY FOUND AT WWW.TITANGREATOUTDOORS.COM/WARRANTY.HTML IS EXCLUSIVE AND IS IN LIEU OF ALL OTHER WARRANTIES, EXPRESS OR IMPLIED, INCLUDING ANY IMPLIED WARRANTY OF MERCHANTABILITY AND/OR FITNESS FOR A PARTICULAR PURPOSE, EACH OF WHICH IS HEREBY DISCLAIMED.

ASH & EMBER

Need help? Contact us first.

PHONE

1-888-794-1455

EMAIL

info@ashandemberoutdoors.com

ASH & EMBER

www.ashandemberoutdoors.com