

T-3 SERIES POWER RACK

(2)T3UP91-T3SB24, (2)T3UP91-T3SB36, (2)T3UP82-T3SB24, (2)T3UP82-T3SB36,
(2)T3UP91-T3SB24-FWHOLD, (2)T3UP91-T3SB36-FWHOLD, (2)T3UP82-T3SB24-FWHOLD,
(2)T3UP82-T3SB36-FWHOLD, (2)T3UP91_RED-T3SB24, (2)T3UP91_RED-T3SB36,
(2)T3UP82_RED-T3SB24, (2)T3UP82_RED-T3SB36, (2)T3UP91_RED-T3SB24-FWHOLD,
(2)T3UP91_RED-T3SB36-FWHOLD, (2)T3UP82_RED-T3SB24-FWHOLD,
(2)T3UP82_RED-T3SB36-FWHOLD, (2)T3UP91_NVY-T3SB24, (2)T3UP91_NVY-T3SB36,
(2)T3UP82_NVY-T3SB24, (2)T3UP82_NVY-T3SB36, (2)T3UP91_NVY-T3SB24-FWHOLD,
(2)T3UP91_NVY-T3SB36-FWHOLD, (2)T3UP82_NVY-T3SB24-FWHOLD,
(2)T3UP82_NVY-T3SB36-FWHOLD
401245, 401246, 401280, 401281, 401414, 401415, 401412, 401413, 401790, 401791, 401792, 401793,
401806, 401807, 401808, 401809, 401794, 401795, 401796, 401797, 401810, 401811, 401812, 401813

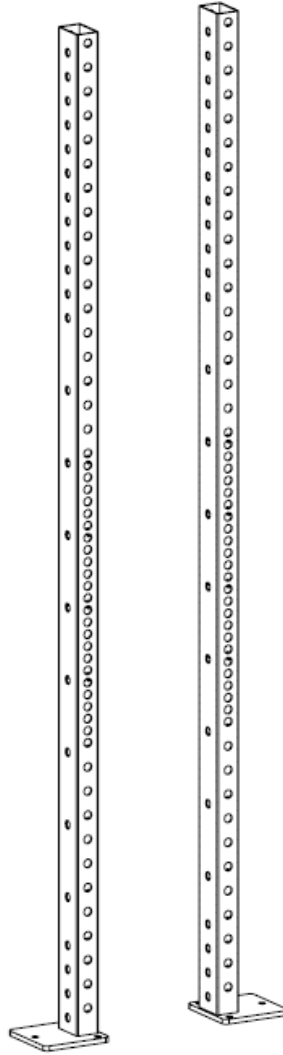


Operator's Manual



Read the Operator's Manual entirely. When you see this symbol, the subsequent instructions and warnings are serious follow without exception. Your life and the lives of others depend on it!

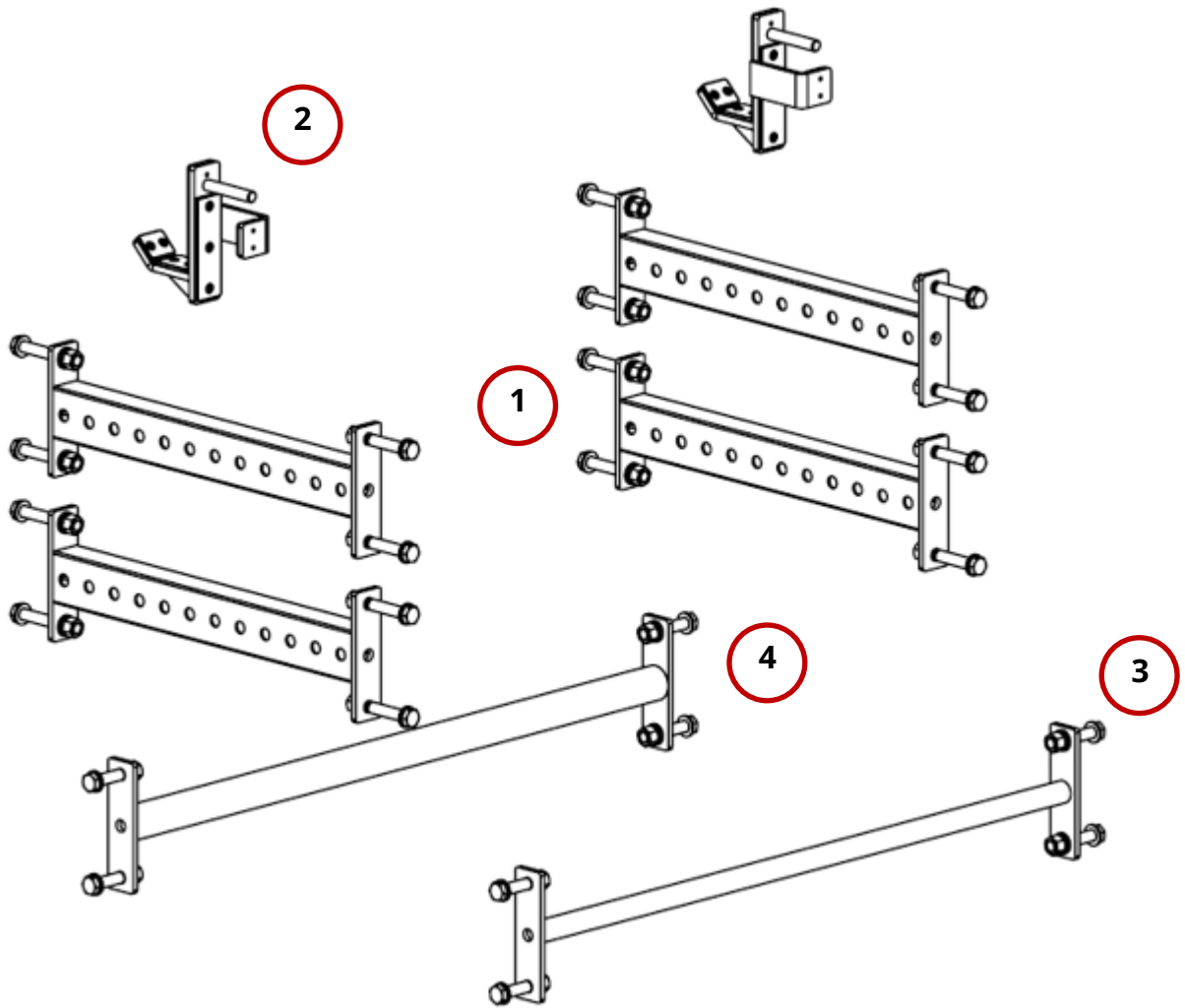
82" & 91" UPRIGHTS PARTS DIAGRAM / EXPLODED VIEW



AVAILABLE IN YOUR CHOICE OF BLACK, RED, OR NAVY POWDER-COATED FINISH

KEY	BOX	DESCRIPTION	QTY
1	1	(2) SHORT T3 UPRIGHTS (T3UP82)	4
1	1	(2) TALL T3 UPRIGHTS (T3UP91)	4

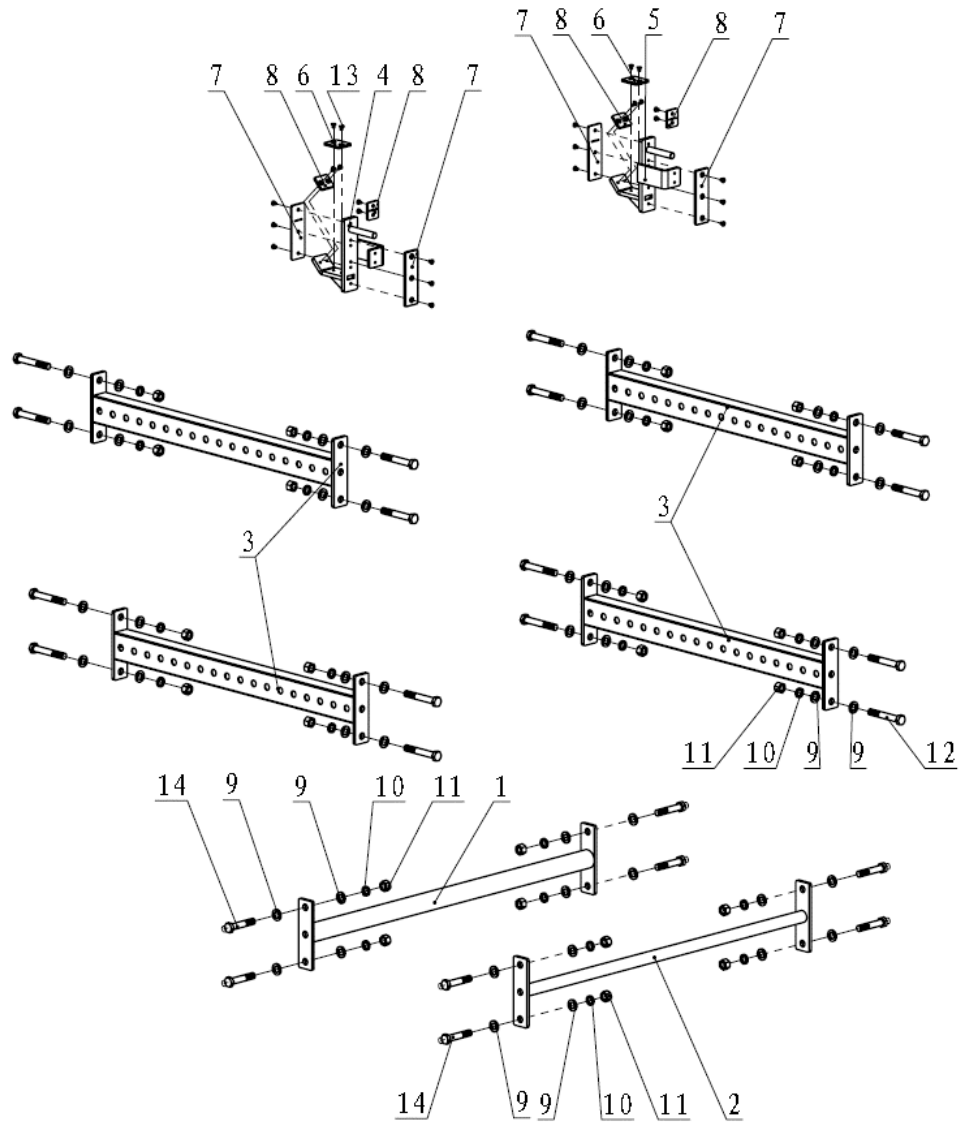
COMES STANDARD WITH THE RACK - PARTS DIAGRAM / EXPLODED VIEW



YOUR CHOICE IN 24" OR 36" SIDE BRACES

KEY	BOX	DESCRIPTION	QTY
(1)	1	24" SIDE BRACES OR 36" SIDE BRACES	4
(2)	1	RIGHT AND LEFT STANDARD J-HOOK	1
(3)	1	2-IN FAT PULL-UP BAR	1
(4)	1	1.25-IN STANDARD PULL-UP BAR	1

PARTS DIAGRAM / EXPLODED VIEW

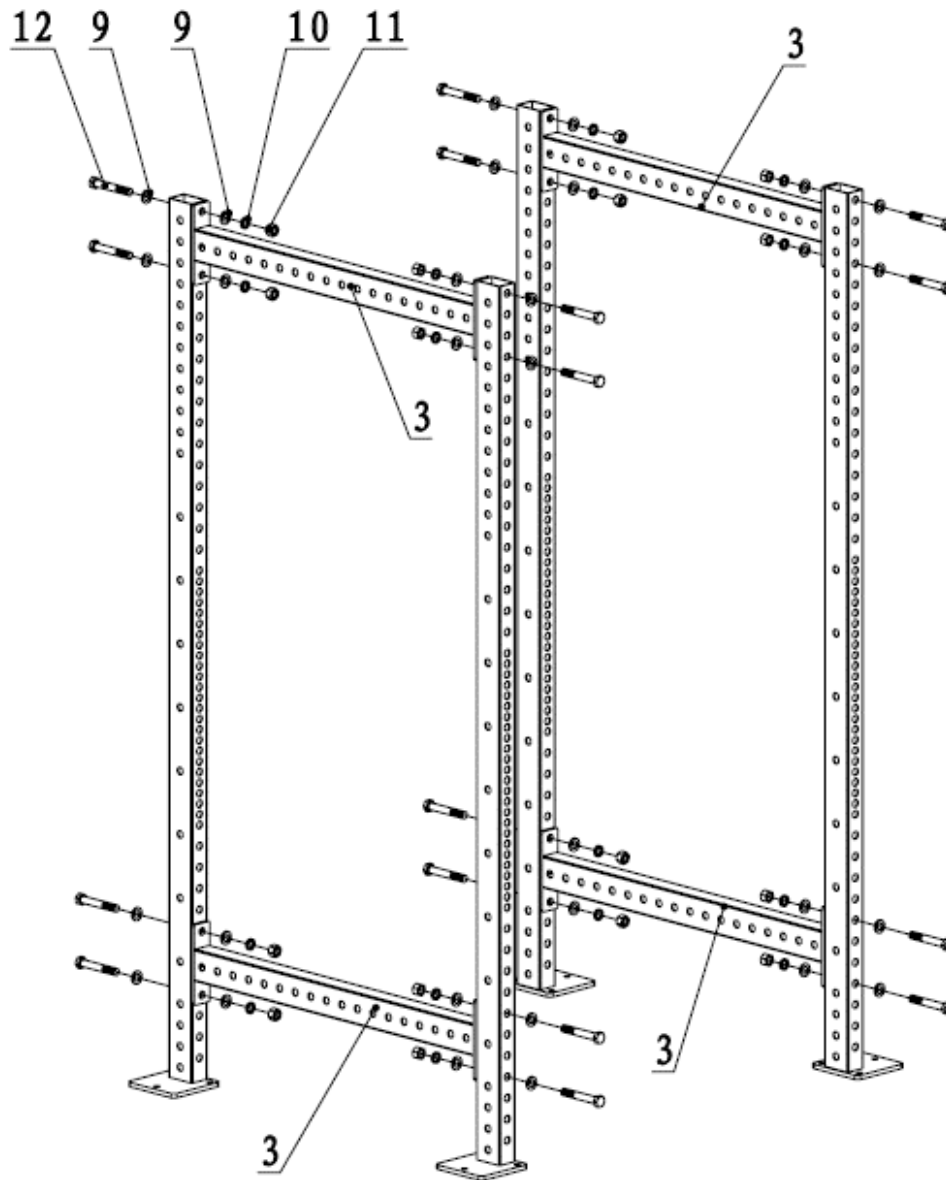


KEY	BOX	DESCRIPTION	QTY	KEY	BOX	DESCRIPTION	QTY
(1)	1	REAR PULL UP BAR	1	(8)	1	FRONT PLASTIC PLATE	4
(2)	1	PULL UP BAR	1	(9)	1	FLAT WASHER $\Phi 17 * \Phi 30 * 3$	48
(3)	1	36' CONNECTING	4	(10)	1	SPRING WASHER $\Phi 16$	24
(4)	1	J-HOOK(L)	1	(11)	1	NUT M16	24
(5)	1	J-HOOK(R)	1	(12)	1	HEX BOLT M16*110	16
(6)	1	SHORT PLASTIC PLATE	2	(13)	1	COUNTERSUNK HEAD	24
(7)	1	LONG PLASTIC PLATE	4	(14)	1	HEX BOLT M16*85	8

ASSEMBLY INSTRUCTIONS

STEP 1

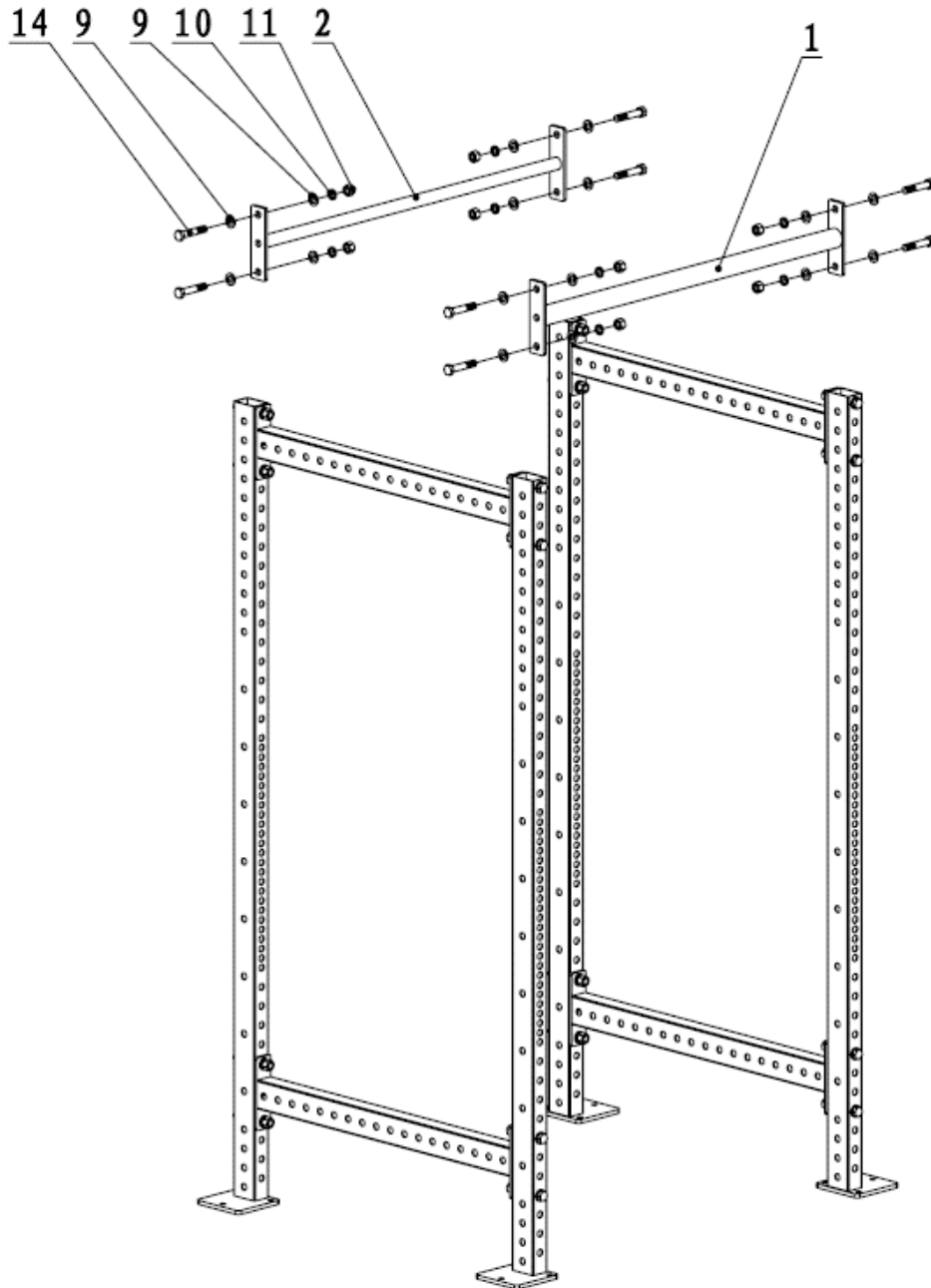
Connect the 24" or 36" Connecting Frame (3) and Upright Frame, using Flat Washer $\Phi 17*\Phi 30*3$ (9), Spring Washer $\Phi 16$ (10), Nut M16 (11), and Hex Bolt M16*110 (12).



ASSEMBLY INSTRUCTIONS

STEP 2

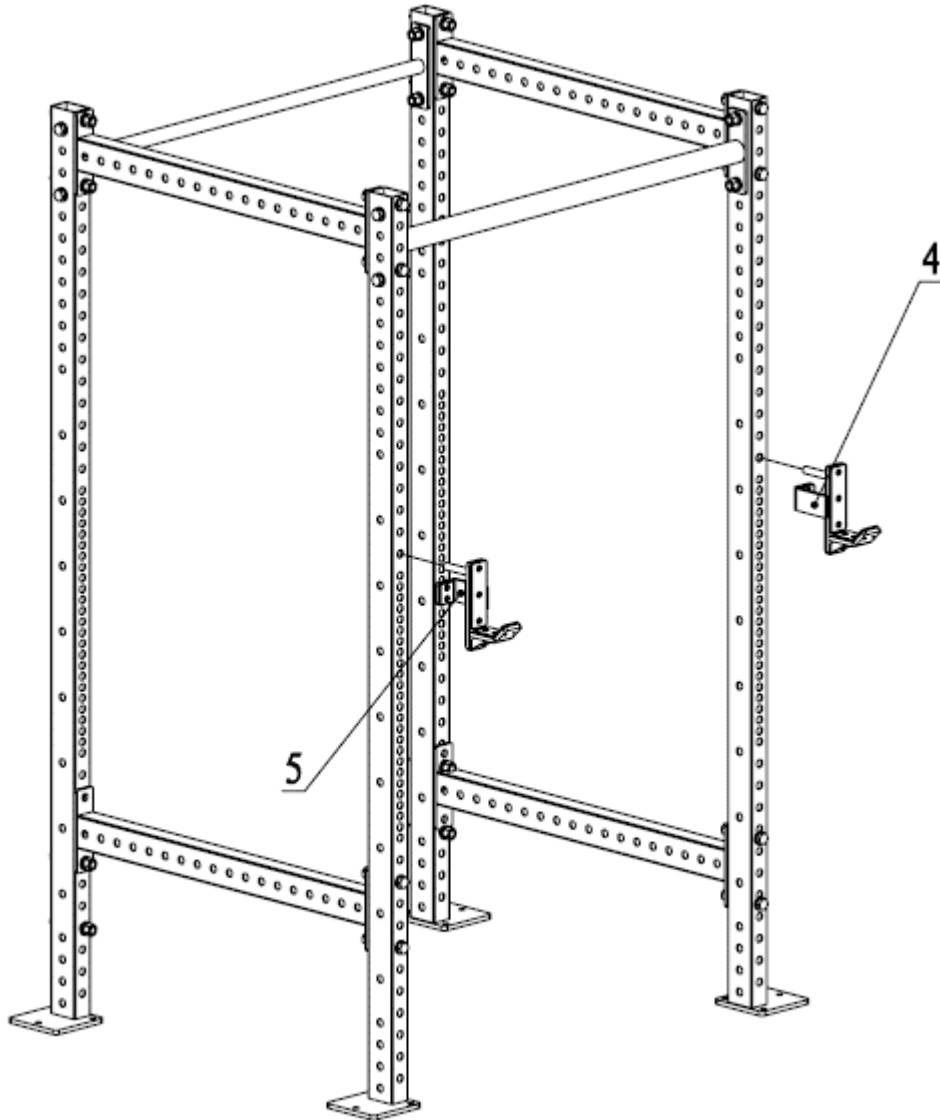
Connect the Rear 2" Pull-Up Bar (1), 1.25" Pull-Up Bar (2) and Upright Frame, using Flat Washer $\Phi 17*\Phi 30*3$ (9), Spring Washer $\Phi 16$ (10), Nut M16(11), and Hex Bolt M16*85 (14).



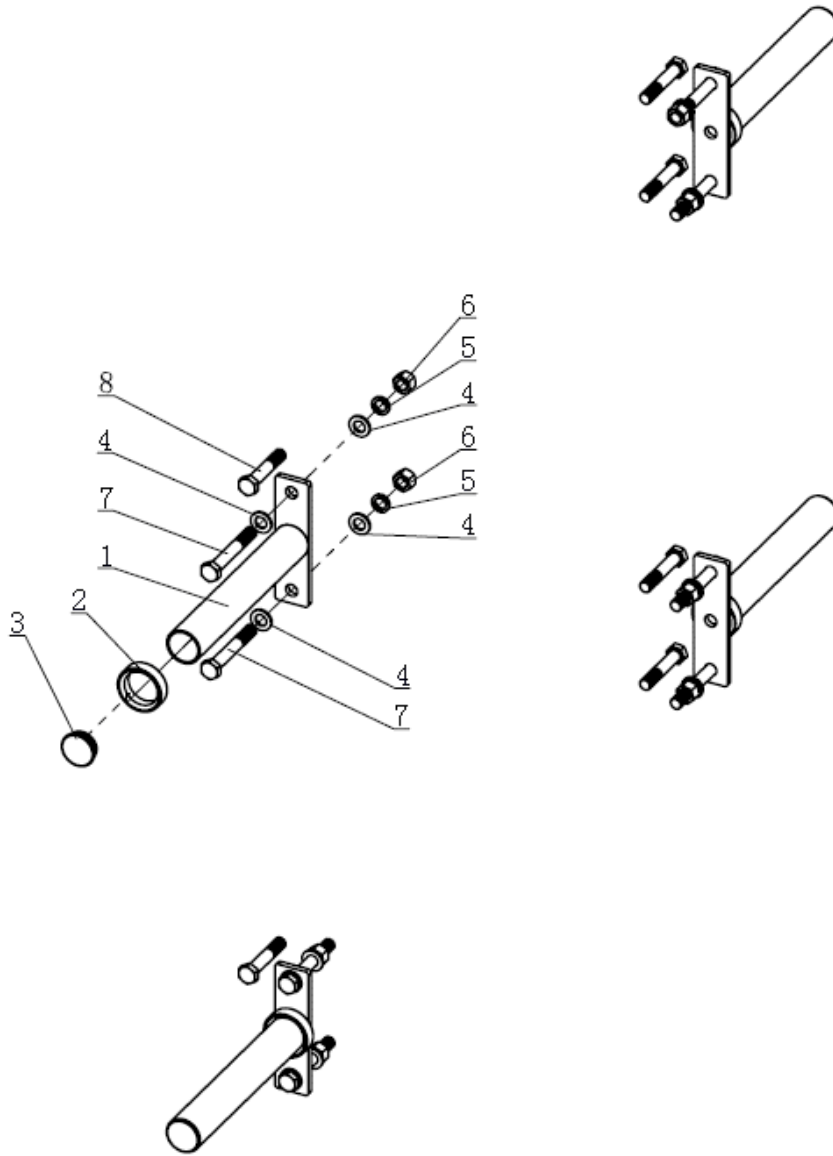
ASSEMBLY INSTRUCTIONS

STEP 3

Install the left and right J-HOOK (4 & 5) on the Upright Frame.



OPTIONAL FWHOLD PARTS DIAGRAM / EXPLODED VIEW



KEY	BOX	DESCRIPTION	QTY	KEY	BOX	DESCRIPTION	QTY
(1)	1	WEIGHT PLATE HOLDER	4	(5)	1	SPRING WASHER Φ16	8
(2)	1	RUBBER CUSHION	4	(6)	1	M16 NUT	8
(3)	1	Φ48 END CAP	4	(7)	1	HEX BOLT M16*110	8
(4)	1	FLAT WASHER	16	(8)	1	HEX BOLT M16*85	8

ACKNOWLEDGEMENT OF RISK AND RELEASE OF LIABILITY

The use of any equipment, including this one, involves the potential risk of injury. Apart from any warranty claim that might be presented for a claimed defect in material or workmanship of the product, you accept and assume full responsibility for any and all injuries, damages (both economic and non-economic), and losses of any type, which may occur, and you fully and forever release and discharge Titan, its insurers, employees, officers, directors, associates, and agents from any and all claims, demands, damages, rights of action, or causes of action, present or future, whether the same be known or unknown, anticipated, or unanticipated, resulting from or arising out of the use of said equipment.

This equipment must be used with care by capable and competent individuals under supervision,

WARNING



Heavy object. Use lifting aids and proper lifting techniques when moving.



Choking hazard. Small parts – Please exercise caution if small children or pets are present.



Sharp objects may be involved. Use precaution and protection.

TITAN LIMITED WARRANTY: TERMS, EXCLUSIONS AND LIMITATIONS OF REMEDIES

This product comes with a one (1) year limited warranty that can be found at www.titan.fitness/warranty.html Please review the same for all details regarding the Titan Limited Warranty.

THE TITAN LIMITED WARRANTY FOUND AT WWW.TITAN.FITNESS/WARRANTY IS EXCLUSIVE AND IS IN LIEU OF ALL OTHER WARRANTIES, EXPRESS OR IMPLIED, INCLUDING ANY IMPLIED WARRANTY OF MERCHANTABILITY AND/OR FITNESS FOR A PARTICULAR PURPOSE, EACH OF WHICH IS HEREBY DISCLAIMED.



NEED HELP? CONTACT US FIRST.

1-888-410-1503

info@titan.fitness

www.titan.fitness

© 2021 Titan Brands