

SINGLE TINE RIPPER SUBSOILER WITH PIPE LAYER

SUBSOILPLA-20SUBSOIL, 20SUBSOILv2b, SUBSOILPLAv2b
191390, 191660, 191661



Operator's Manual



Read the Operator's Manual entirely. When you see this symbol, the subsequent instructions and warnings are serious follow without exception. Your life and the lives of others depend on it!

NOTE FROM TITAN

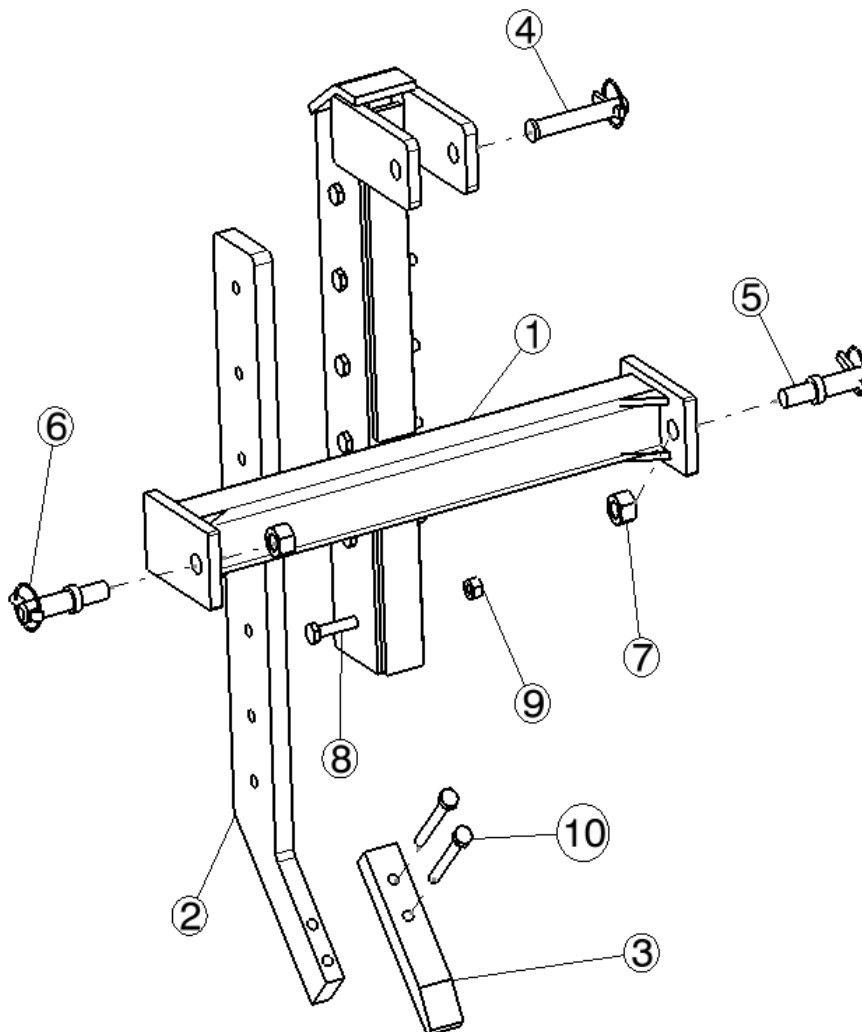
The Pipelayer Attachment (191424 - SUBSOILPLAv2) does not align with the revised Single Tine Ripper (191660 – 20SUBSOILv2b).

OPERATION

In deepest settings, it is advised to use only 2 bolts. This ensures that the bolts shear before causing damage to the subsoiler when encountering tougher materials, protecting the implement from potential soil obstructions. Make sure there is one space between each bolt.

Operate the subsoiler in a straight line. If a turn is necessary, lift the subsoiler above the ground, align the tractor in the desired direction, and then lower it before engaging with the ground again.

PARTS DIAGRAM / EXPLODED VIEW

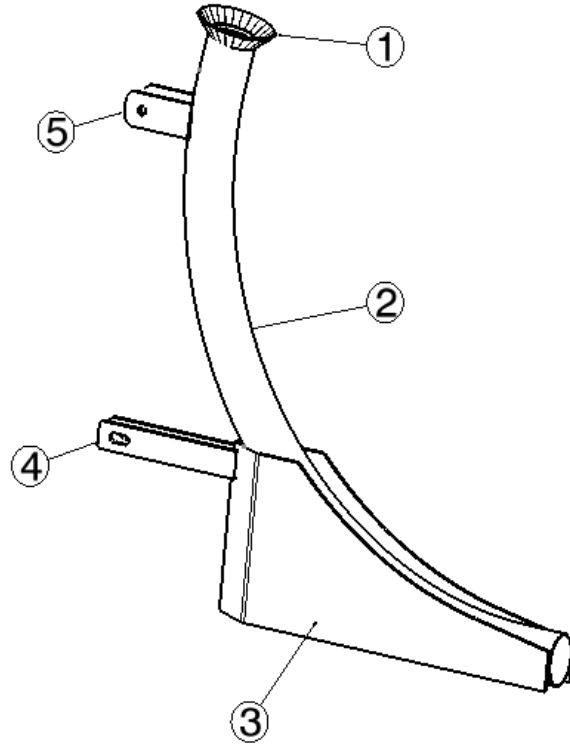


KEY	PART NUMBER	DESCRIPTION	QTY
(1)	SBSL191660.01	3 POINT HITCH	1
(2)	SBSL191660.02	BLADE PLATE	1
(3)	SBSL191660.03	BLADE	1
(4)	SBSL191660.04	TOP PIN	1
(5)	SBSL191660.05	THREADED PIN	2
(6)	SBSL191660.06	10mm LINCH PIN	3
(7)	SBSL191660.07	M20 NUT	2
(8)	SBSL191660.08	M12 x 100	7
(9)	SBSL191660.09	M12 NYLOCK NUT	9
(10)	SBSL191660.10	M12 x 110	2
(11)	SBSL191660.11	M12 WASHER	9

NOTE FROM TITAN

This pipe layer easily bolts onto the Single Tine Ripper Subsoiler (191660). If you purchased the Single Tine Ripper Subsoiler before 2024, this Pipe layer will not be compatible.

PARTS DIAGRAM / EXPLODED VIEW



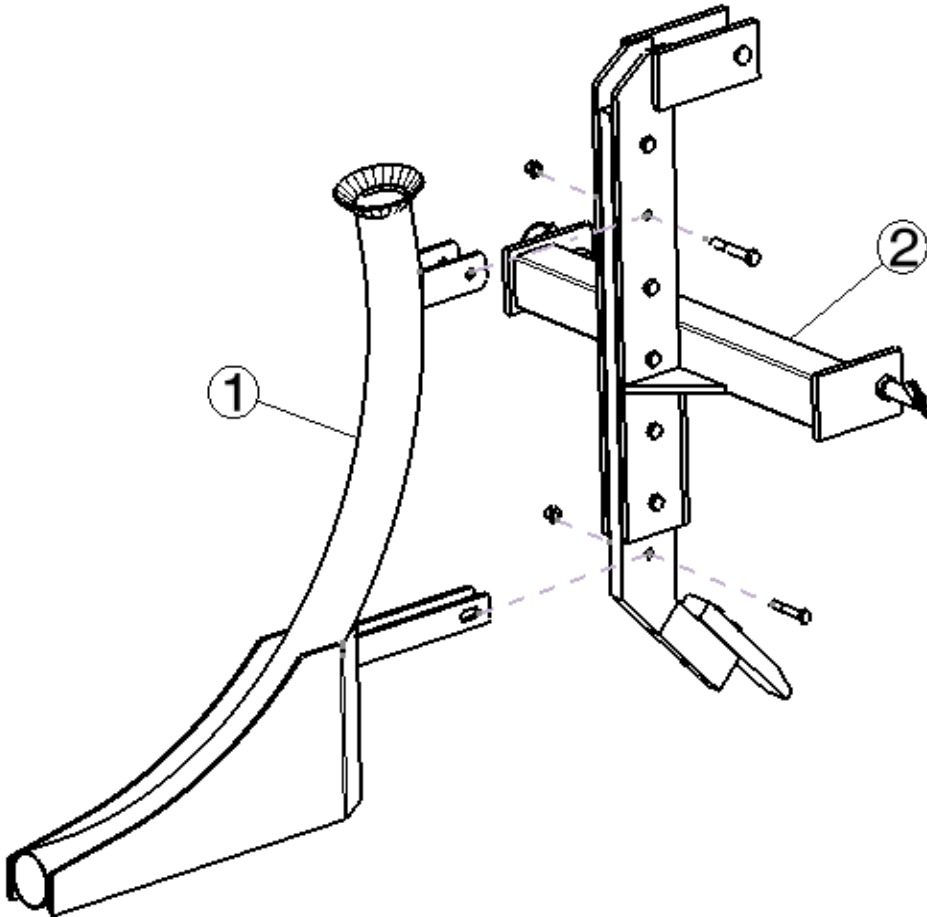
KEY	PART NUMBER	DESCRIPTION	QTY
(1)	PLA191661.01	TOP CUP	1
(2)	PLA191661.02	ROLLED PIPE	1
(3)	PLA191661.03	SIDE PLATE	2
(4)	PLA191661.04	LOCK PLATE 1	2
(5)	PLA191661.05	LOCK PLATE 2	2

ASSEMBLY INSTRUCTIONS

KEY	PART NUMBER	DESCRIPTION	QTY
(1)	SBSL191423	20SUBSOILv2	1
(2)	SBSL191424	SUBSOILPLAv2	1

STEP 1:

Fasten the SUBSOILPLA Locking Plates to 20SUBSOILv2 with the help of M12 Bolts & nuts.



ACKNOWLEDGEMENT OF RISK AND RELEASE OF LIABILITY

The use of any equipment, including this one, involves the potential risk of injury. Apart from any warranty claim that might be presented for a claimed defect in material or workmanship of the product, you accept and assume full responsibility for any and all injuries, damages (both economic and non-economic), and losses of any type, which may occur, and you fully and forever release and discharge Titan, its insurers, employees, officers, directors, associates, and agents from any and all claims, demands, damages, rights of action, or causes of action, present or future, whether the same be known or unknown, anticipated, or unanticipated, resulting from or arising out of the use of said equipment.

This equipment must be used with care by capable and competent individuals under supervision, if necessary.

WARNING



Do not overfill! Mower should be level when checking oil in gear box.



some activities might be able to cause electric shock



Sharp objects may be involved.
Use protective cover during maintenance.

TITAN LIMITED WARRANTY: TERMS, EXCLUSIONS AND LIMITATIONS OF REMEDIES

This product comes with a one (1) year limited warranty that can be found at www.palletforks.com/warranty.html. Please review the same for all details regarding the Titan Limited Warranty.

THE TITAN LIMITED WARRANTY FOUND AT WWW.PALLETFORKS.COM/WARRANTY.HTML IS EXCLUSIVE AND IS IN LIEU OF ALL OTHER WARRANTIES, EXPRESS OR IMPLIED, INCLUDING ANY IMPLIED WARRANTY OF MERCHANTABILITY AND/OR FITNESS FOR A PARTICULAR PURPOSE, EACH OF WHICH IS HEREBY DISCLAIMED.



NEED HELP? CONTACT US FIRST.

1-800-605-7595

info@palletworks.com

www.palletforks.com

© 2024 Titan Brands