

# 650 LB ECONOMY POLY DUMP CART

---

191253 - 650POLYCART



## Operator's Manual

Read the Operator's Manual entirely. When you see this symbol, the subsequent instructions and warnings are serious follow without exception. Your life and the lives of others depend on it!

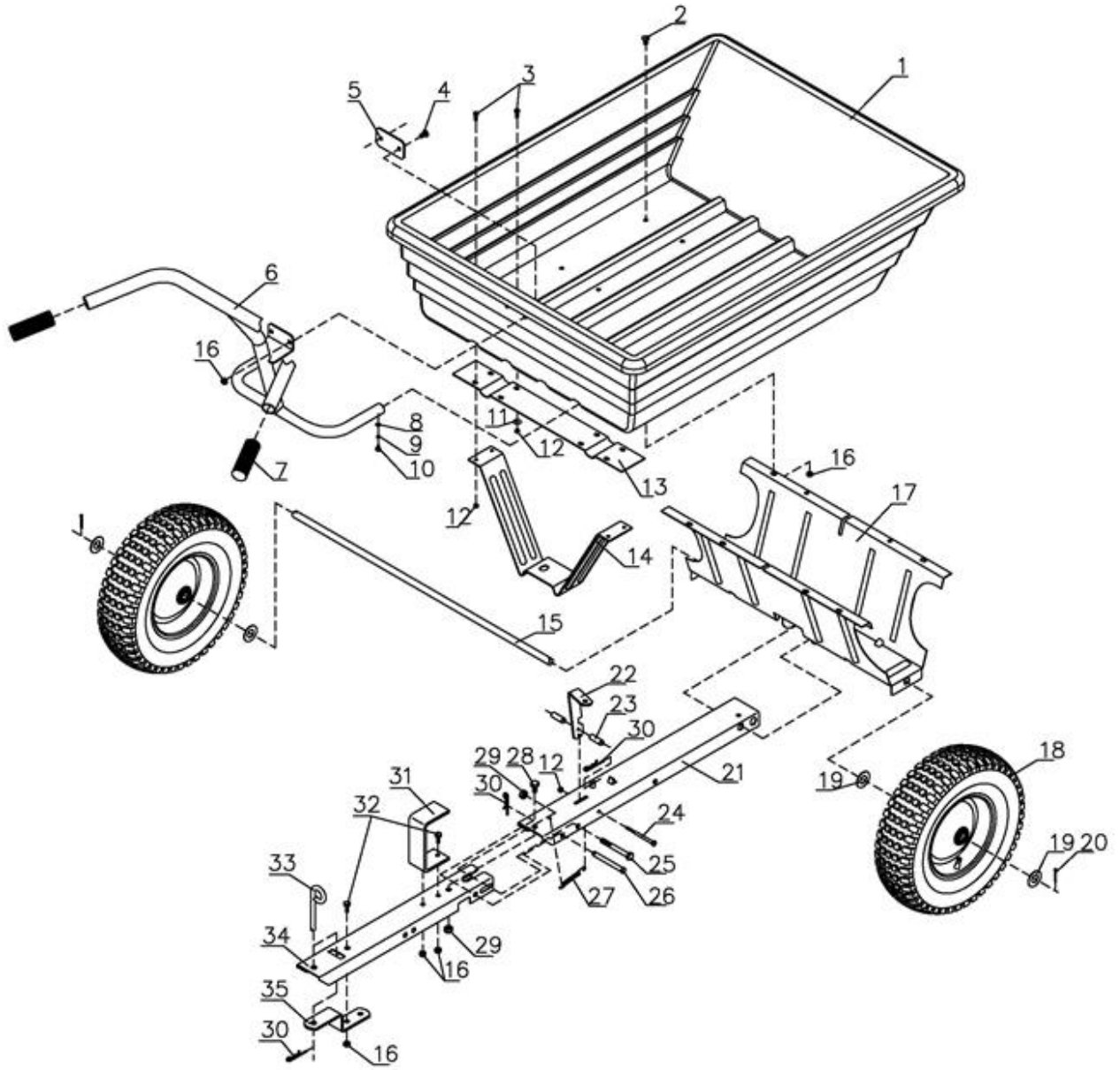
## SAFETY RULES

---

Remember, any power equipment can cause injury if operated improperly or if the user does not understand how to operate the equipment. Exercise caution always when using power equipment.

1. Read this owner's manual before attempting to assemble or operate the cart.
2. Read the vehicle owner's manual and know how to operate your tractor, before using the cart attachment.
3. Do not at any time carry passengers in this cart. It has not been designed to carry passengers.
4. Never allow children to operate the tractor or the cart attachment.
5. Do not allow adults to operate the tractor or cart attachment without proper instruction.
6. Always begin with the transmission in first (low) and gradually increase speed as conditions permit.
7. Tow the cart reduced speed over rough terrain and hillside or near creeks and ditches to prevent tipping over and loss of control. Do not drive too close to a creek or ditch.
8. Vehicle braking and stability may be affected with the attachment of this cart. Do not fill cart to maximum weight capacity without checking the capability of the towing vehicle to safely pull and stop with the cart attached.
9. Before operating vehicle on any grade (hill) refer to the safety rules in the vehicle owner's manual concerning safe operation on slopes. Refer also to the slope guide on page 10 of this manual. Stay off steep slopes!
10. Do not tow this cart on highways or on public thoroughfares.
11. Maximum towing speed is 10m.p.h.
12. Follow maintenance and lubrication instructions as outlined in this manual.

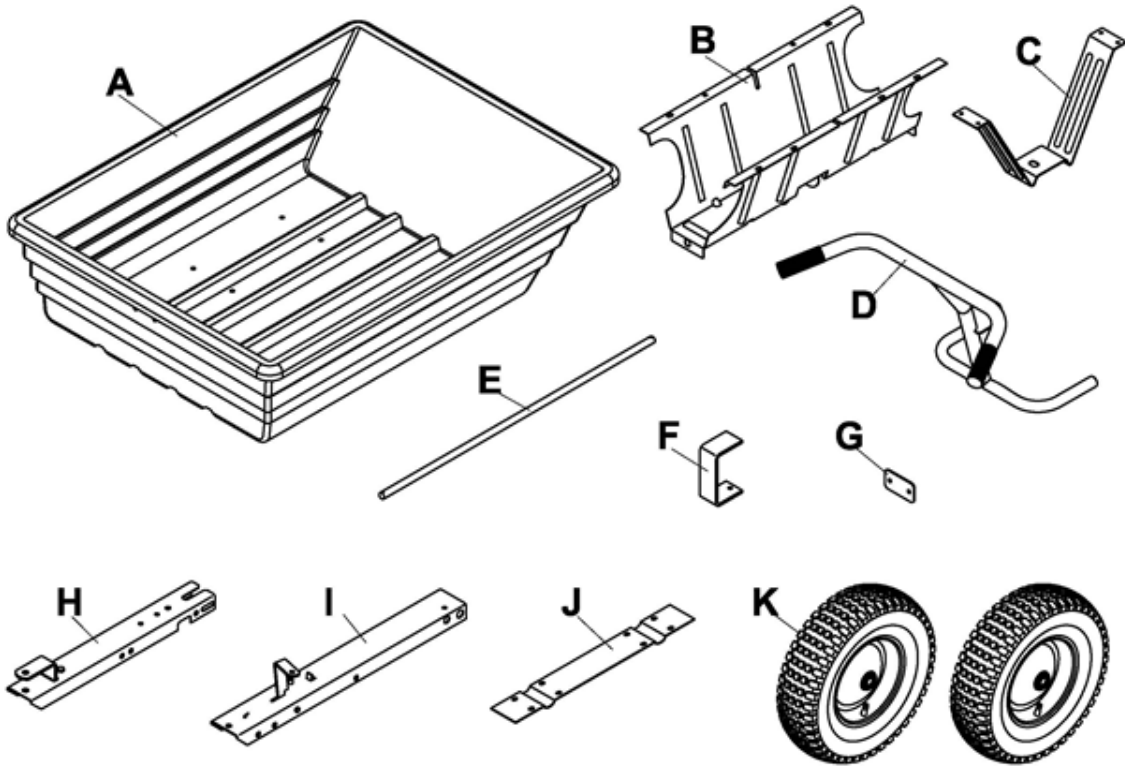
PARTS DIAGRAM / EXPLODED VIEW



## PARTS LIST

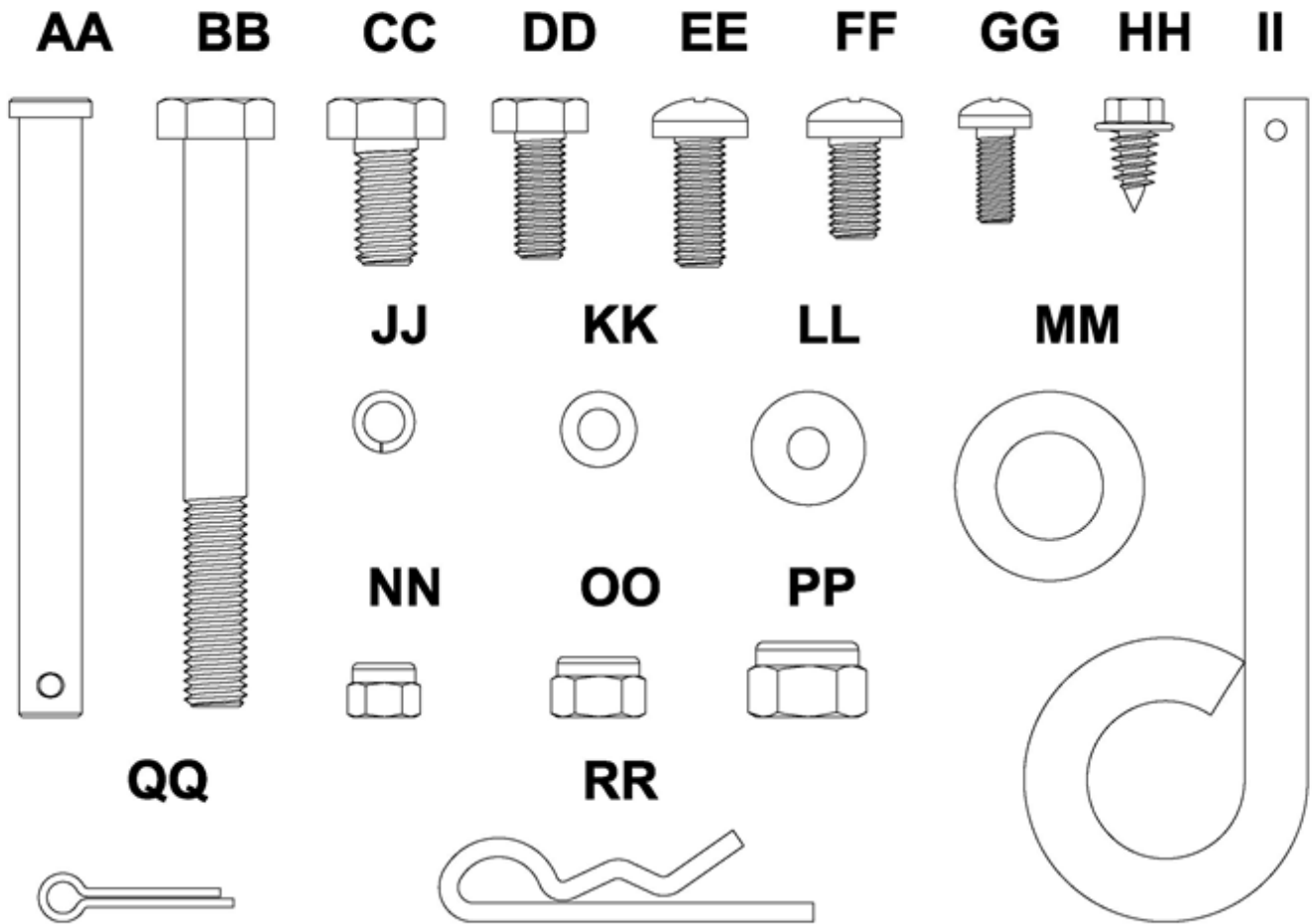
PART #	DRAWING NO.	DESCRIPTION	QTY
1	N876-00001	Hopper	1
2	919901-08016-CD	Screw M8x16	8
3	919901-06016-CD	Screw M6x16	8
4	919901-08020-CD	Screw M8x20	2
5	N876-00002	Clamp Plate	1
6	N876-01000	Handle	1
7	N876-00003	Handle Sleeve	2
8	9301-06000-CD	Flat Washer Ø6	4
9	9306-06000-CD	Lock Washer Ø6	4
10	919903-ST6.3X16-CD	Flange Screw ST6.3x16	4
11	9302-06000-CD	Big Flat Washer Ø6	4
12	9206-06000-CD	Nylon Lock Nut M6	9
13	N870-00006	Plate	1
14	N160-00005	Spring Pin Support	1
15	N879-00001-DY	Axle	1
16	9206-08000-CD	Nylon Lock Nut M8	13
17	N870-00001	Wheel Axle Clamp Plate	1
18	N879-01000	Wheel	2
19	9301-16000-CD	Flat Washer Ø16	4
20	9404-03025-CD	Cotter Pin Ø3x25	2
21	N879-02000	Rear Tongue	1
22	N879-00002	Hopper Buckle	1
23	N875-00003-CD	Spacer	2
24	9101-06090-CD	Hex Bolt M6x90	1
25	9101-10095-CD	Hex Bolt M10x95	1
26	N870-00009-CD	Long Pin Ø10x95	1
27	N390-00003-FH	Extension Spring	1
28	9101-10020-CD	Hex Bolt M10x20	1
29	9206-10000-CD	Nylon Lock Nut M10	2
30	N021-00004-CD	R Pin Ø3	3
31	N870-00004	Front Leg	1
32	9101-08020-CD	Hex Bolt M8x20	3
33	N870-00011-CD	Hitch Pin	1
34	N875-00002	Front Tongue	1
35	N100-00014	Connecting Plate	1

## Component List



PART	NAME	QTY
A	POLY TRAY	1
B	WHEEL AXEL SUPPORT	1
C	LATCH STAND BRACKET	1
D	HANDLE	1
E	WHEEL AXLE	1
F	FRONT LEG	1
G	CLAMP PLATE	1
H	FRONT TONGUE ASSEMBLY	1
I	REAR TONGUE ASSEMBLY	1
J	LATCH STAND PLATE	1
K	WHEEL	2

## Hardware List



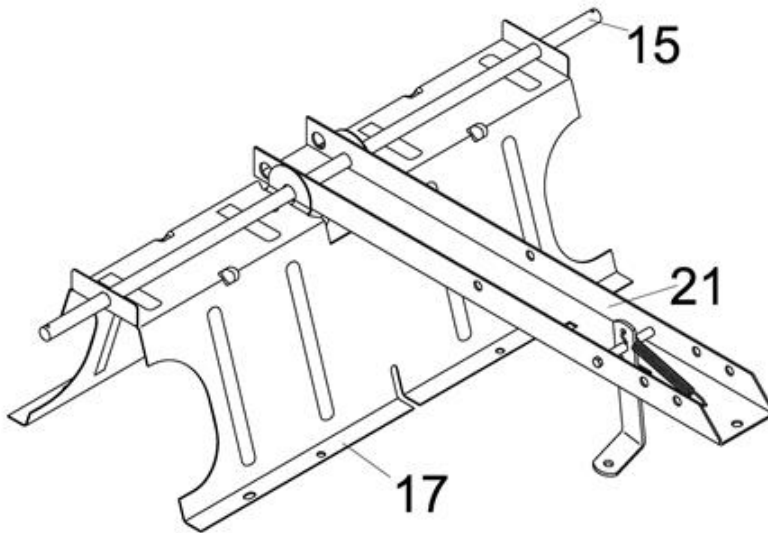
AA	Clevis Pin	1	JJ	Lock Washer Ø6	4
BB	Hex Bolt M10x95	1	KK	Flat Washer Ø6	4
CC	Hex Bolt M10X20	1	LL	Big Washer Ø6	4
DD	Hex Bolt M8x20	2	MM	Flat Washer Ø16	4
EE	Screw M8x20	2	NN	Nylon Lock Nut M6	8
FF	Screw M8x16	8	OO	Nylon Lock Nut M8	12
GG	Screw M6x16	8	PP	Nylon Lock Nut M10	2
HH	Flange Screw ST.6.3X16	4	QQ	Cotter Pin Ø3x25	2
II	Hitch Pin	1	RR	R Pin Ø3	3

## ASSEMBLY INSTRUCTIONS

---

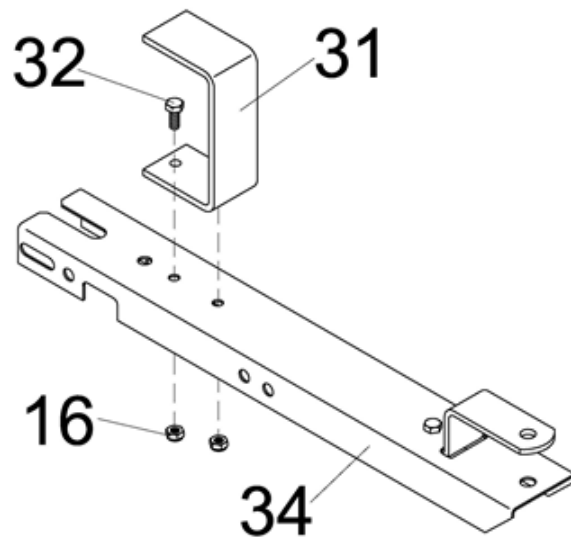
### Step 1: Attach the Rear Tongue

Lay the Rear Tongue (21) (open side facing up) onto the Wheel Support (17). Assemble the Axle (15) through the Wheel Axle Support and the Tongue.



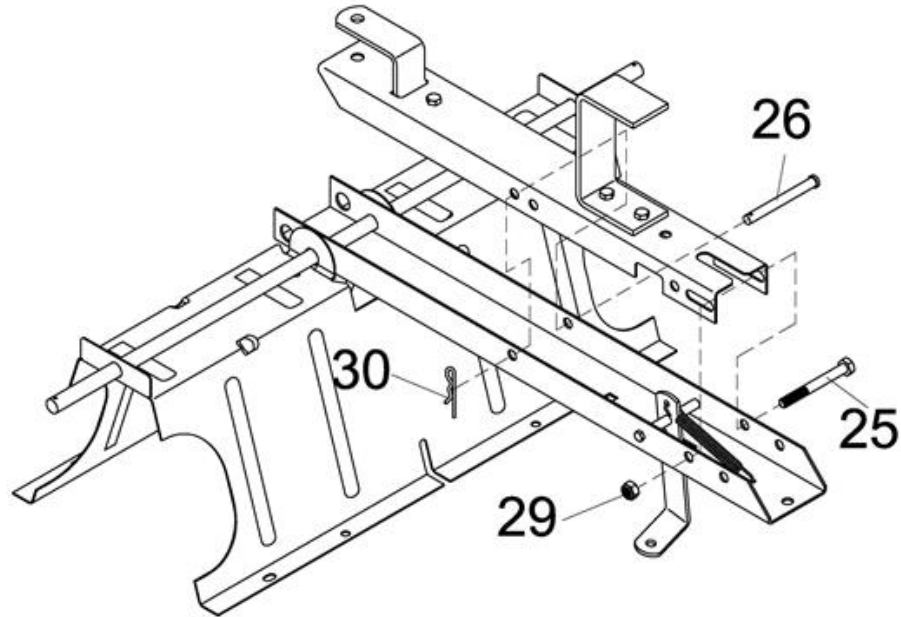
### Step 2: Attach the Hitch Bracket and Leg Stand Bracket

Assemble the Front Leg (31) to the Front Tongue (34) using Hex Bolt M8\*20 (32), Nylon Lock Nut M8 (16). Tighten.



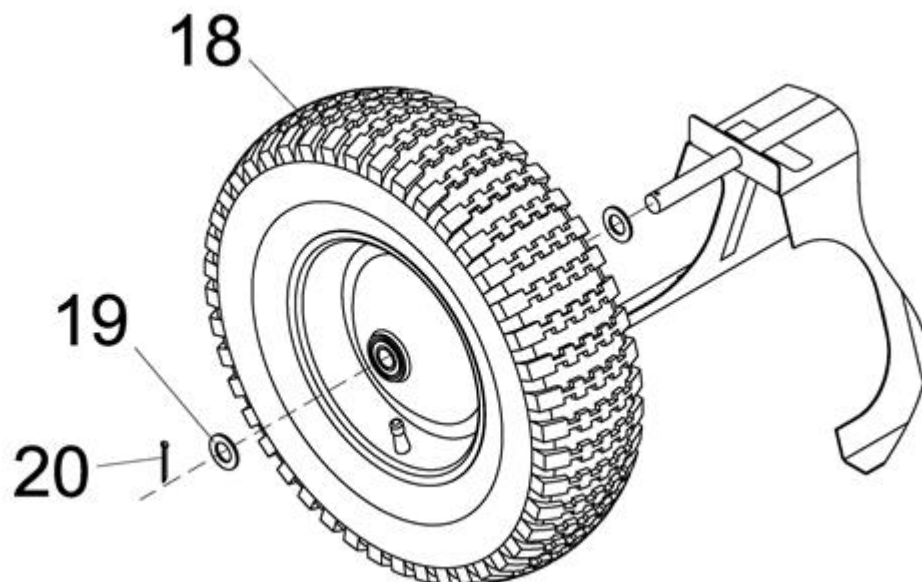
### Step 3: Attach the Front Tongue

1. Place the Front Tongue inside the Rear Tongue. Fasten the tongues together using Hex Bolt M10\*95 (25) and a Nylon Lock Nut (29). Tighten, leaving the nut just loose enough that the tongues can pivot freely.
2. Insert the Clevis Pin 10\*95 (26) through the tongues and secure with the R Pin 3 (30).



### Step 4: Attach the Wheel

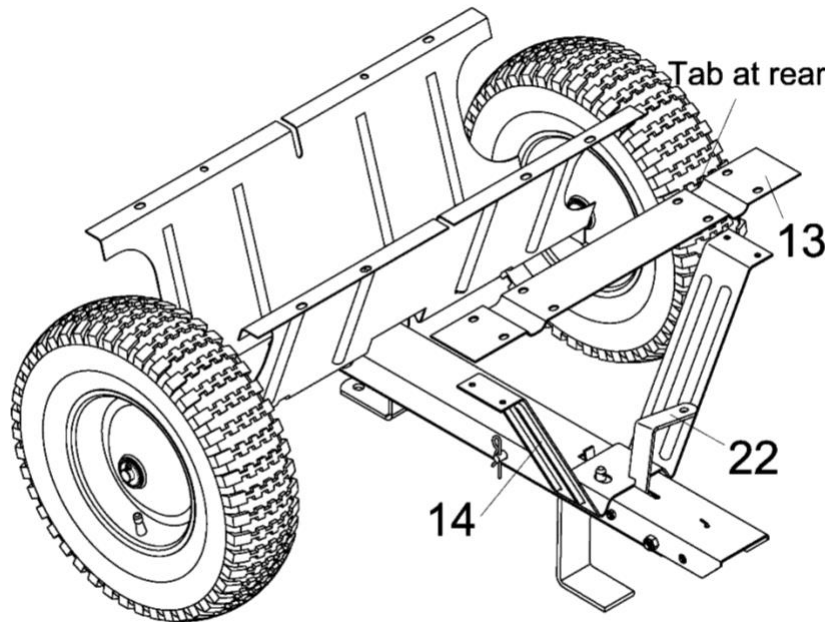
Assemble Wheel (18) using two Flat Washer 16 (19) with the valve stem facing out onto the Axle. Inset a Citter Pin 3\*25 (20) to the Axle.





### Step 5 : Attach the Latch Stand Bracket

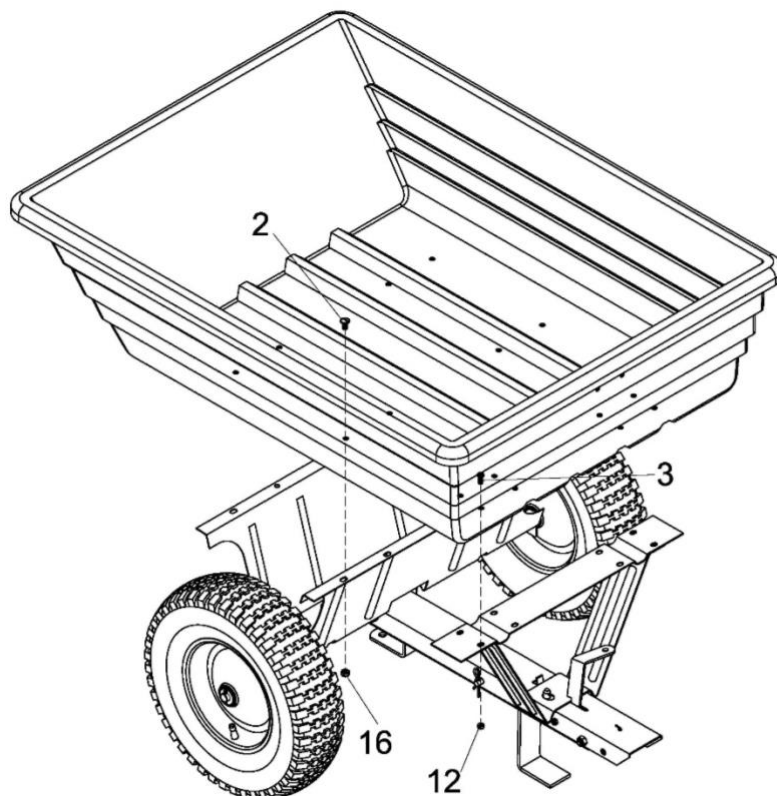
Turn the Wheel Axle Support over to rest on the wheels. Place the Latch Stand Bracket (#14) onto the tongue, sliding it underneath the Foot Pedal (#22). Turn the Latch Stand Plate (#13). The tabs at the ends of the channels must face the rear. Place the Latch Stand Plate down onto the Latch Stand Bracket.



### Step 6 : Attach the Poly Tray

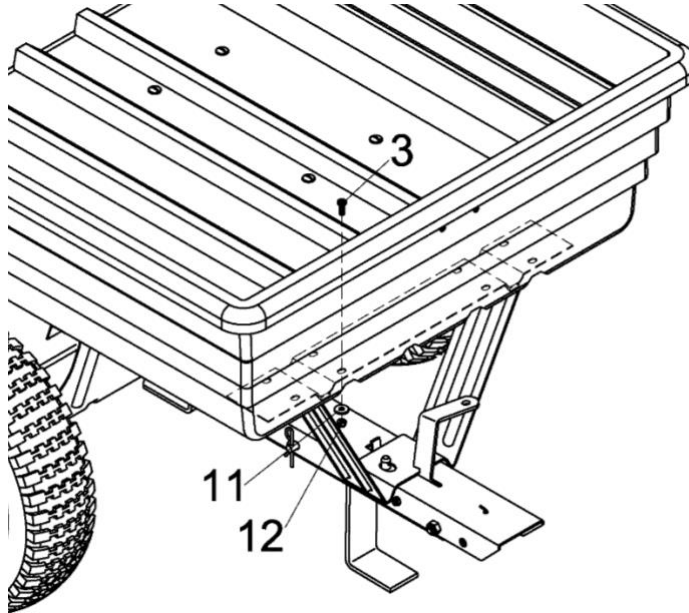
Place the Poly Tray down onto the Wheel Axle Support and the Latch Stand Plate. Fasten the tray to the Wheel Axle Support using Screw M8x16 (#2) and Nylon Lock Nut M8 (#16). Fasten the tray to the Latch Stand Plate and Latch Stand Bracket using Screw M6x16 (#3) and Nylon Lock Nut M6 (#12).

**Do not tighten yet.**



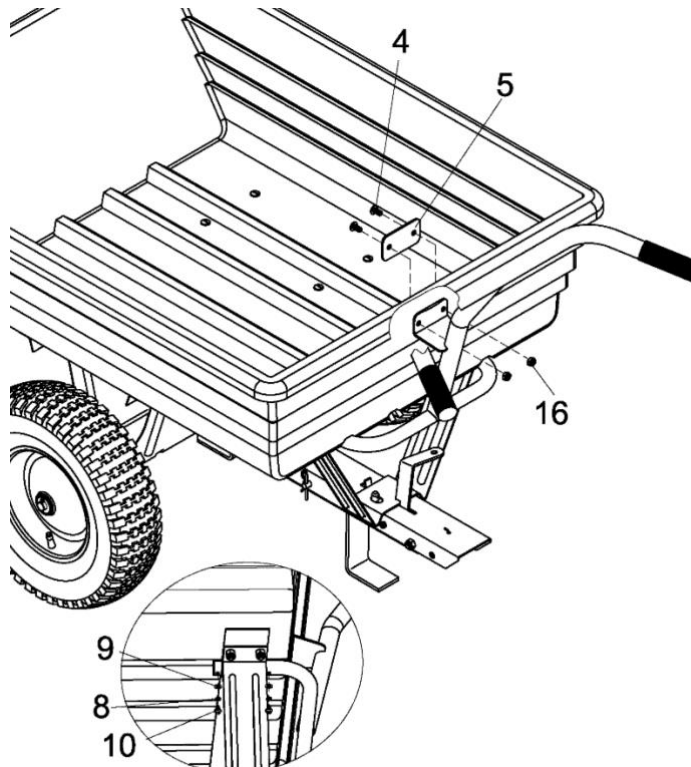
### Step 7 : Attach the Latch Stand Plate

1. Insert Screw M6x16 (#3) down through the tray and the inside holes in the Latch Stand Plate. Secure the bolts with Big Flat Washer  $\varnothing 6$  (#11) and Nylon Lock Nut M6 (#12). Do not tighten yet.
2. At this time tighten all bolts which were left loose.



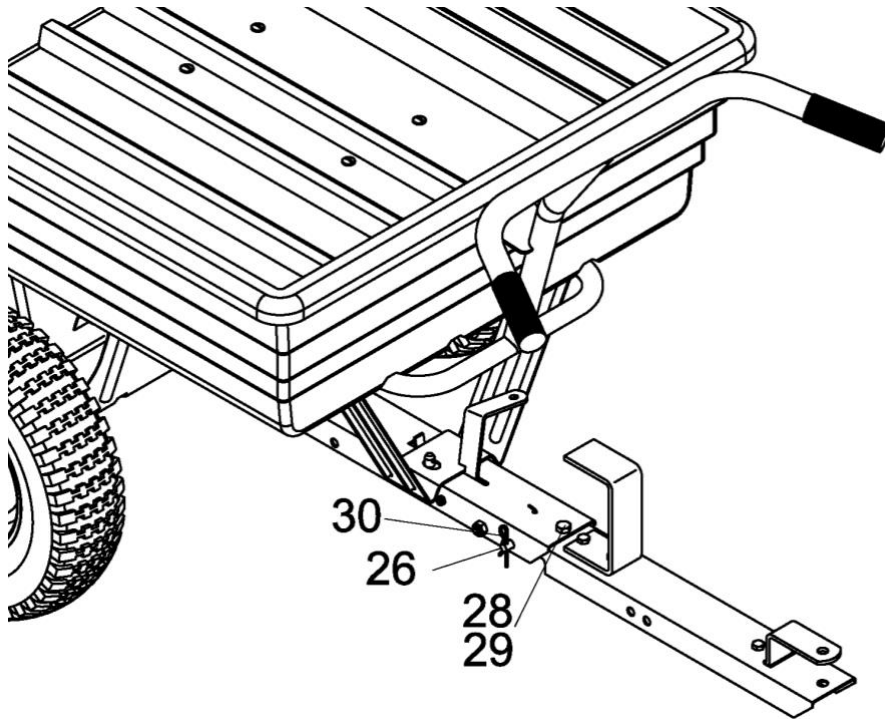
### Step 8 : Fix the Handle

1. Slide the Tube of T Handle into the channels between the bottom of Poly Tray and Latch Stand Plate. Then fix the Tube by using Flange Screw ST6.3X16 (#10), Lock Washer  $\varnothing 6$  (#9) and Flat Washer  $\varnothing 6$  (#8).
2. Fix T Handle on Poly Tray by using Screw M8x20 (#4), Lock Nut M8 (#16) and Clamp Plate (#5).



**Step 9 : Attach the Front Tongue Assembly**

Assemble the Front Tongue Assembly to the Rear Tongue Assembly using Hex Bolt M10x20 (#28) and Lock Nut M10(#29), then Insert Clevis Pin  $\varnothing$ 10x95 (#26), secure with R Pin  $\varnothing$ 3 (#30).

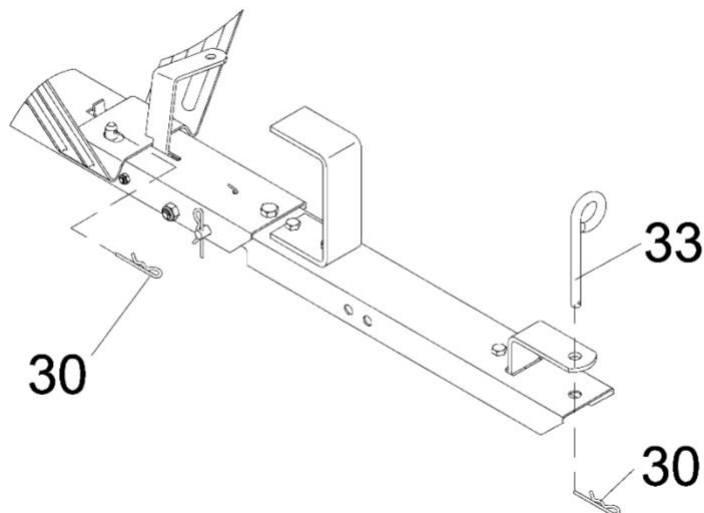


Lock the Hex Bolt M10x20 (#28) to the Front Tongue Assembly using the Lock Nut M10(#29).

**Step 10 : Attach the Hitch Pin**

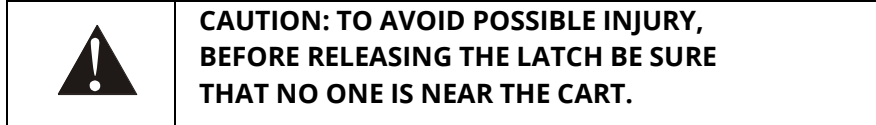
Assemble the Hitch Pin (#33) through the tongue and hitch bracket and secure it with the  $\varnothing$ 3 R Pin (#30).

Insert another R Pin  $\varnothing$ 3 into the tow bar safety pin. Pull out the R Pin  $\varnothing$ 3 and tread down the hopper buckle when turn up the hopper.



## OPERATIONS

---



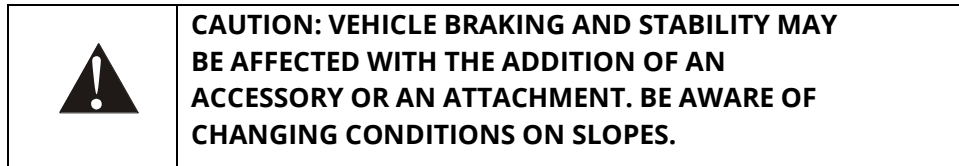
### TOW CART

1. To convert the cart for towing, remove the plastic cap from the tongue. Remove the 10x95 clevis pin and R Pin which secure the front tongue in storage position underneath the rear tongue. Pivot the front tongue outward and secure it in the towing position using the same clevis pin and hairpin cotter. Push the handle in all the way against the front of the tray depressing the detent buttons in the bottom of the handle.
2. Refer to the vehicle owner's manual for instructions on safe operation on slopes.
3. Always test to make sure your tractor has adequate towing and braking capabilities whenever hauling a substantial amount of weight in your cart. Use extra caution when operating on slopes.

### IMPORTANT!

Do Not Exceed 295KG. Weight Capacity of Cart

One cubic foot of dirt weighs approximately 68KG.



1. For best handling and traction, distribute the weight of the load evenly in the cart.
2. To dump material from the cart, remove the clevis pin Ø10x95 from the latch on the tongue and release the latch. The cart bed will then tilt backwards to empty its contents. After emptying, pull the front of the bed down toward the cart tongue until the latch snaps into place. Reinstall the clevis pin in the latch to prevent accidental release of the latch.
3. The maximum towing speed for his cart is 10 m.p.h.

## **PUSHCART**

**Important:** Always Leave the latch lock clevis pin in place while using the cart as a pushcart.

1. To convert cart for push operation, remove the Ø10x95 long clevis pin and R Pin Ø3 which secure the tongue in the towing position. (See step 9 on page 9.) Pivot the front tongue into the storage position underneath the rear tongue and secure it using the Ø10x95 long clevis pin and R Pin Ø3. (Refer to Step 3 on page 6.)
2. For best handling and to help prevent accidental tipping, distribute the weight of the load evenly in the cart.
3. Do not load more weight into the pushcart than you can handle and control comfortably.
4. To dump material from the pushcart, lift up on the handle and tilt the cart forward. Be sure that the latch mechanism on the tongue is locked and secured with the clevis pin to prevent accidental release of the latch.

## **MAINTENANCE**

1. At the beginning of each season, using a light machine oil, lubricate the latch, the latch pivot bolt, and the area of the axle where the draw bar tongue pivots.
2. Grease or oil the wheel bearings periodically. Use automotive wheel bearing type grease or 20 weight oil.
3. Check periodically for loose bolts.
4. Keep tire adequately filled. Do not exceed the maximum recommended pressure on tire.

## ACKNOWLEDGEMENT OF RISK AND RELEASE OF LIABILITY

---

The use of any equipment, including this one, involves the potential risk of injury. Apart from any warranty claim that might be presented for a claimed defect in material or workmanship of the product, you accept and assume full responsibility for any and all injuries, damages (both economic and non-economic), and losses of any type, which may occur, and you fully and forever release and discharge Titan, its insurers, employees, officers, directors, associates, and agents from any and all claims, demands, damages, rights of action, or causes of action, present or future, whether the same be known or unknown, anticipated, or unanticipated, resulting from or arising out of the use of said equipment.

This equipment must be used with care by capable and competent individuals under supervision, if necessary.

## WARNING

---



**Do not overfill!** Mower should be level when checking oil in gear box.



some activities might be able to cause electric shock



Sharp objects may be involved.  
Use protective cover during maintenance.

## TITAN LIMITED WARRANTY: TERMS, EXCLUSIONS AND LIMITATIONS OF REMEDIES

---

This product comes with a one (1) year limited warranty that can be found at [www.palletforks.com/warranty.html](http://www.palletforks.com/warranty.html). Please review the same for all details regarding the Titan Limited Warranty.

**THE TITAN LIMITED WARRANTY FOUND AT [WWW.PALLETFORKS.COM/WARRANTY.HTML](http://WWW.PALLETFORKS.COM/WARRANTY.HTML) IS EXCLUSIVE AND IS IN LIEU OF ALL OTHER WARRANTIES, EXPRESS OR IMPLIED, INCLUDING ANY IMPLIED WARRANTY OF MERCHANTABILITY AND/OR FITNESS FOR A PARTICULAR PURPOSE, EACH OF WHICH IS HEREBY DISCLAIMED.**



**NEED HELP? CONTACT US FIRST.**

**1-800-605-7595**

[info@palletworks.com](mailto:info@palletworks.com)  
[www.palletforks.com](http://www.palletforks.com)

© 2024 Titan Brands