

T-3 OR X-3 SERIES RACK STABILIZER FEET

RKFT_T3X3

401354



Operator's Manual

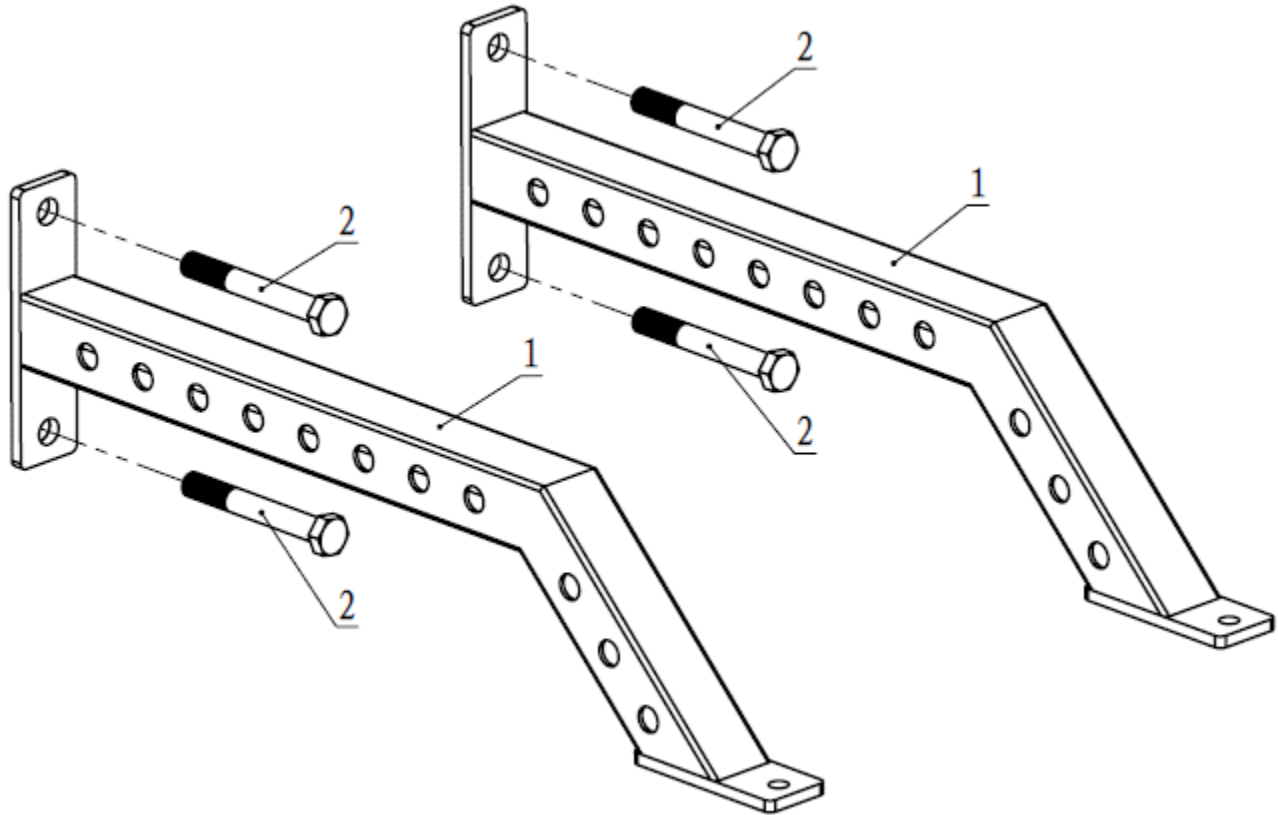


Read the Operator's Manual entirely. When you see this symbol, the subsequent instructions and warnings are serious follow without exception. Your life and the lives of others depend on it!

NOTE FROM TITAN

The Stabilizer feet are designed for use exclusively with the T-3 Series and X-3 Series BOLT-DOWN Power Racks. They are not compatible with the X-3 Series Flat Foot due to differences in hole spacing.

PARTS DIAGRAM / EXPLODED VIEW

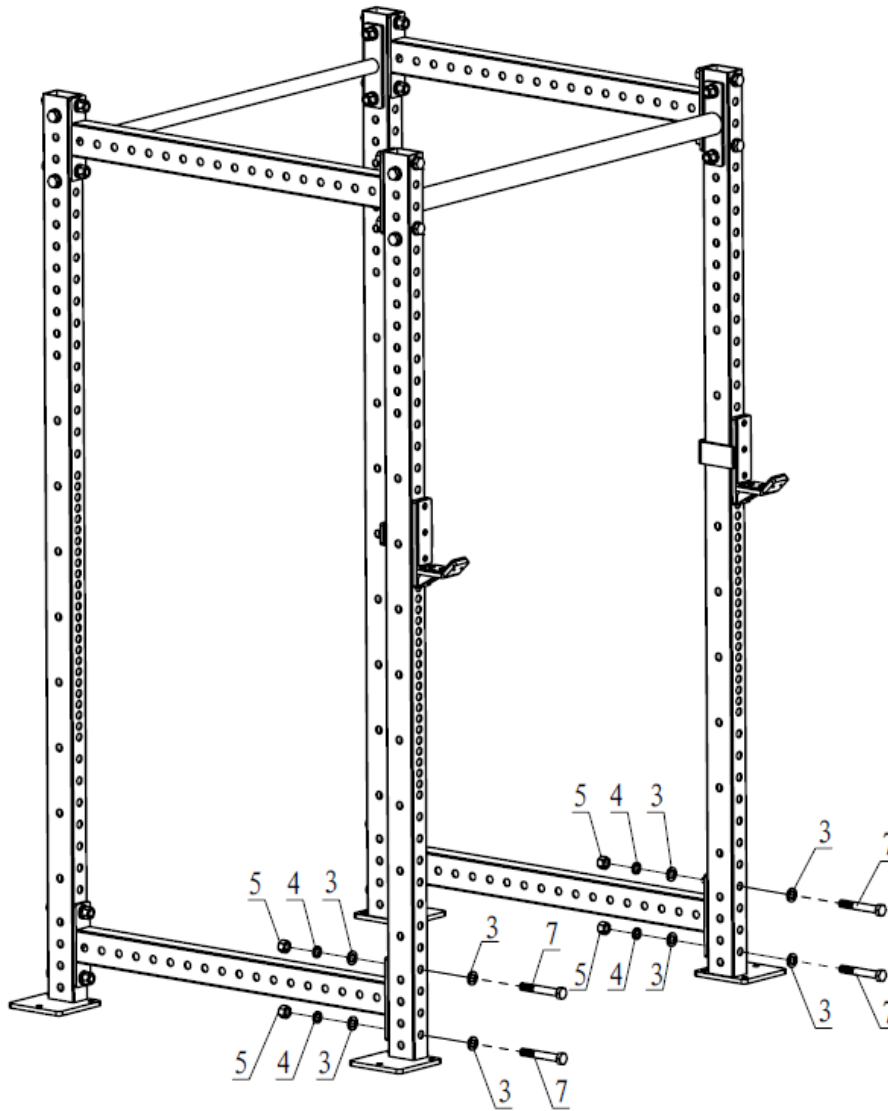


KEY	BOX	DESCRIPTION	QTY
(1)	1	STABILIZER FEET	2
(2)	1	HEX BOLT M16*120	4

ASSEMBLY INSTRUCTIONS

STEP 1

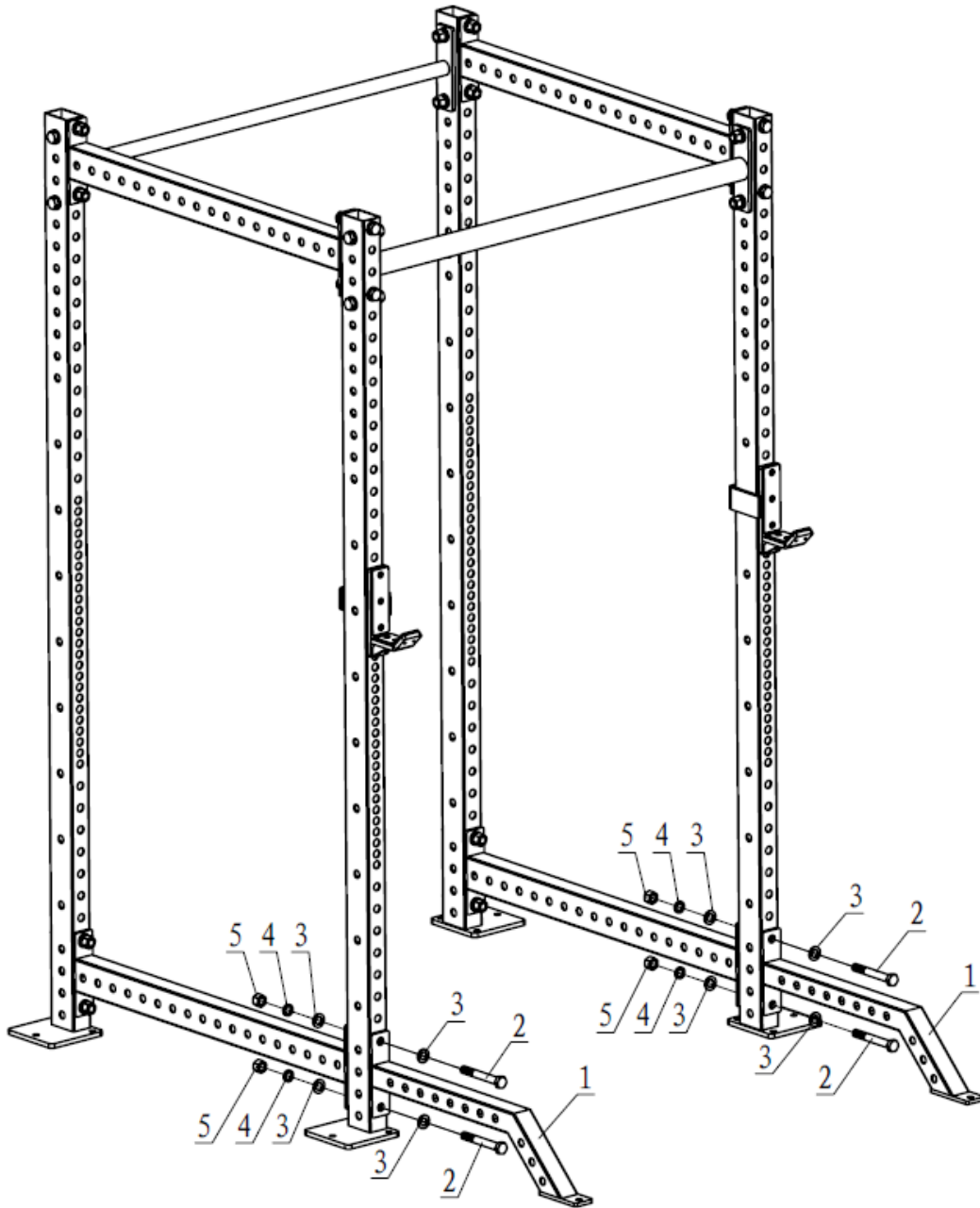
- Remove the Hex Bolt M16*110 (7), Flat Washer $\Phi 17*\Phi 30*3$ (3), Spring Washer $\Phi 16$ (4) and M16 Nut (5) from the Power Rack.
 - You will no longer need the Hex Bolt M16*110 (7).
- Please be careful to keep the Flat Washer $\Phi 17*\Phi 30*3$ (3), Spring Washer $\Phi 16$ (4) and M16 Nut (5) for next assembly.



ASSEMBLY INSTRUCTIONS

STEP 2

Connect the Stabilizer Feet (1) and Power Rack, using Flat Washer $\Phi 17 \times \Phi 30 \times 3$ (3), Spring Washer $\Phi 16$ (4), M16 Nut (5), and the included Hex Bolt M16*120 (2).



ACKNOWLEDGEMENT OF RISK AND RELEASE OF LIABILITY

The use of any equipment, including this one, involves the potential risk of injury. Apart from any warranty claim that might be presented for a claimed defect in material or workmanship of the product, you accept and assume full responsibility for any and all injuries, damages (both economic and non-economic), and losses of any type, which may occur, and you fully and forever release and discharge Titan, its insurers, employees, officers, directors, associates, and agents from any and all claims, demands, damages, rights of action, or causes of action, present or future, whether the same be known or unknown, anticipated, or unanticipated, resulting from or arising out of the use of said equipment.

This equipment must be used with care by capable and competent individuals under supervision,

WARNING



Heavy object. Use lifting aids and proper lifting techniques when moving.



Choking hazard. Small parts – Please exercise caution if small children or pets are present.



Sharp objects may be involved. Use precaution and protection.

TITAN LIMITED WARRANTY: TERMS, EXCLUSIONS AND LIMITATIONS OF REMEDIES

This product comes with a one (1) year limited warranty that can be found at www.titan.fitness/warranty.html Please review the same for all details regarding the Titan Limited Warranty.

THE TITAN LIMITED WARRANTY FOUND AT WWW.TITAN.FITNESS/WARRANTY IS EXCLUSIVE AND IS IN LIEU OF ALL OTHER WARRANTIES, EXPRESS OR IMPLIED, INCLUDING ANY IMPLIED WARRANTY OF MERCHANTABILITY AND/OR FITNESS FOR A PARTICULAR PURPOSE, EACH OF WHICH IS HEREBY DISCLAIMED.



NEED HELP? CONTACT US FIRST.

1-888-410-1503

info@titan.fitness

www.titan.fitness

© 2024 Titan Brands