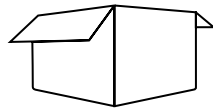




899572 - FIRERING24_AE, 899485 - FIRERING32_AE, 899584 - FIRERING36_AE

Steel Camp Fire Ring & Outdoor Cooking Grate



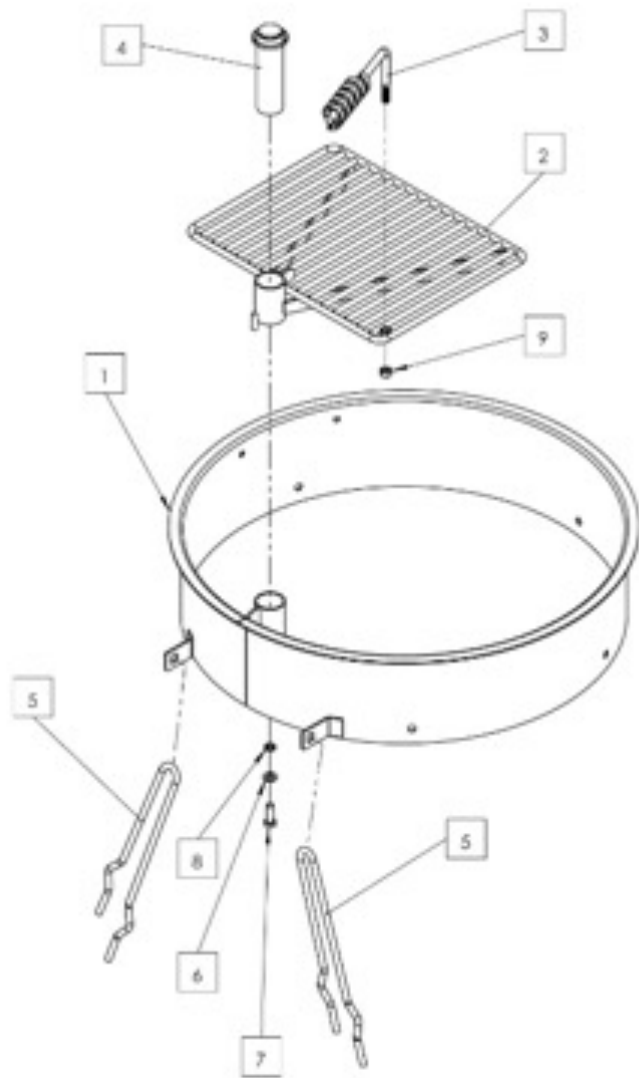


UNBOXING

- 1.** Fire Ring (1 Pc)
- 2.** Fire Grate 1 Pc)
- 3.** Handle (1 Pc)
- 4.** Pin (1 Pc)
- 5.** Clamp (2 Pc)
- 6.** Flat Washer 12 (1 Pc)
- 7.** Hex Bolt M12x35 (1 Pc)
- 8.** Spring Washer 12 (3 Pc)
- 9.** Hex Nut M12 (1 Pc)

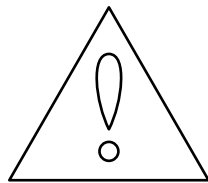
Additional Info

- Grill Grate swivels 180-degrees
- Spring handle on the side will protect you as you work the grill
- Two anchor pins allow the Fire Ring to tip back for easy cleaning and to prevent theft
- Five lower drain holes to prevent rust and ventilate the fire
- Upper draft holes provided ventilation for the fire
- 1" wide flange on the top of the fire bowl



Assembly Instructions

- Align the pin sleeve on the grate with that of the firering.
- Insert the pin (4) into these sleeves.
- Fasten with hex bolt (7), flat washer (6), and spring washer (8).



WARNINGS



Heavy object. Use lifting aids and proper lifting techniques when moving.



Sharp objects may be involved. Use precaution and protection.



Choking hazard. Small parts - Please exercise caution if small children or pets are present.

Acknowledgement of Risk & Release of Liability

The use of any equipment, including this one, involves the potential risk of injury. Apart from any warranty claim that might be presented for a claimed defect in material or workmanship of the product, you accept and assume full responsibility for any and all injuries, damages (both economic and non-economic), and losses of any type, which may occur, and you fully and forever release and discharge Titan, its insurers, employees, officers, directors, associates, and agents from any and all claims, demands, damages, rights of action, or causes of action, present or future, whether the same be known or unknown, anticipated, or unanticipated, resulting from or arising out of the use of said equipment. This equipment must be used with care by capable and competent individuals under supervision, if necessary.

Time Limited Warranty: Terms, Exclusions & Limitations of Remedies

This product comes with a one (1) year limited warranty that can be found at www.ashandemberoutdoors.com/warranty.html. Please review the same for all details regarding the Titan Limited Warranty.

THE TITAN LIMITED WARRANTY FOUND AT WWW.TITANGREATOUTDOORS.COM/WARRANTY.HTML IS EXCLUSIVE AND IS IN LIEU OF ALL OTHER WARRANTIES, EXPRESS OR IMPLIED, INCLUDING ANY IMPLIED WARRANTY OF MERCHANTABILITY AND/OR FITNESS FOR A PARTICULAR PURPOSE, EACH OF WHICH IS HEREBY DISCLAIMED.

ASH & EMBER

Need help? Contact us first.

PHONE

1-888-794-1455

EMAIL

info@ashandemberoutdoors.com

ASH & EMBER

www.ashandemberoutdoors.com