

SELF-DUMPING HOPPER

SELFDUMP2

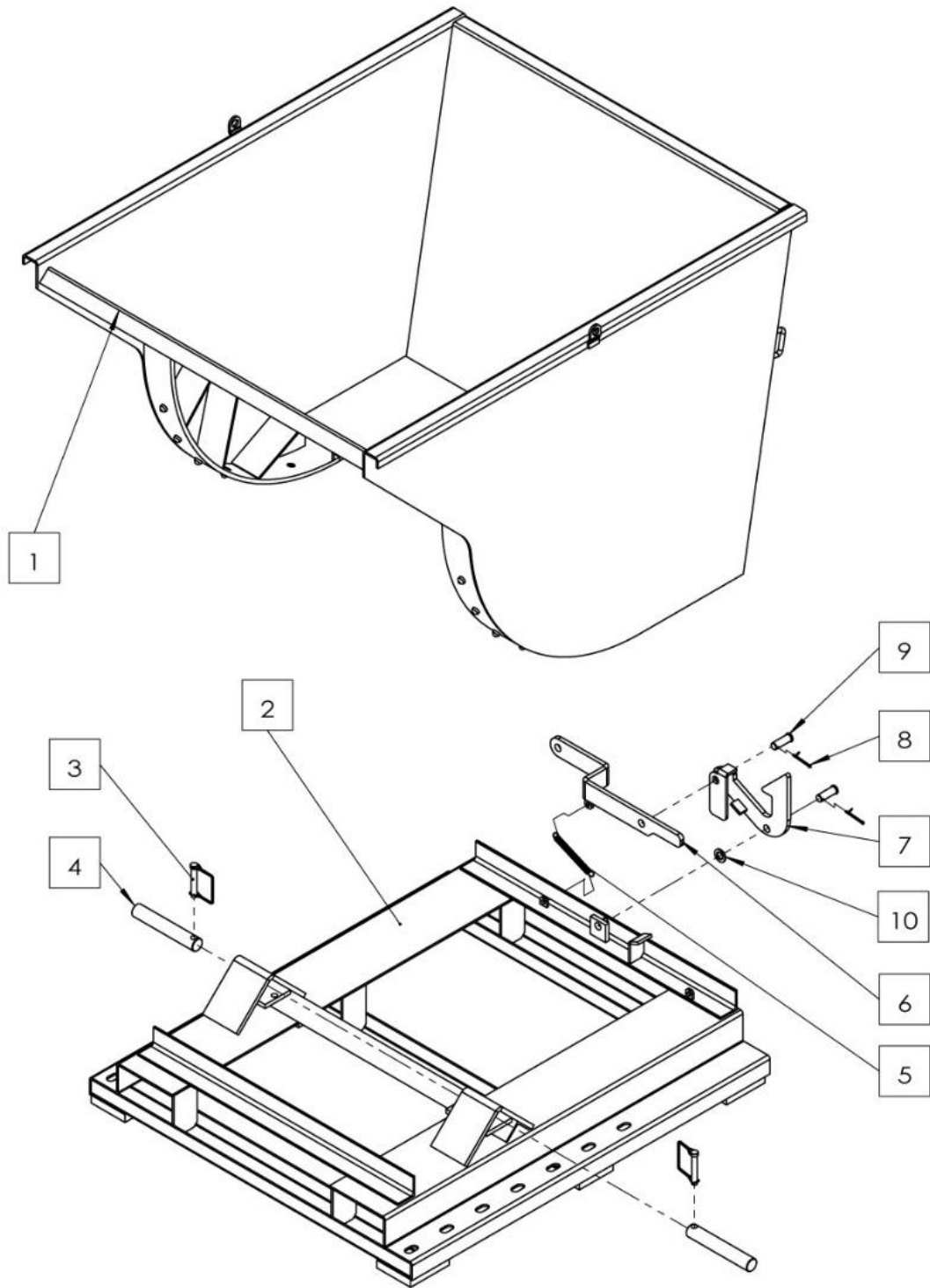
191558



Operator's Manual



Read the Operator's Manual entirely. When you see this symbol, the subsequent instructions and warnings are serious follow without exception. Your life and the lives of others depend on it!



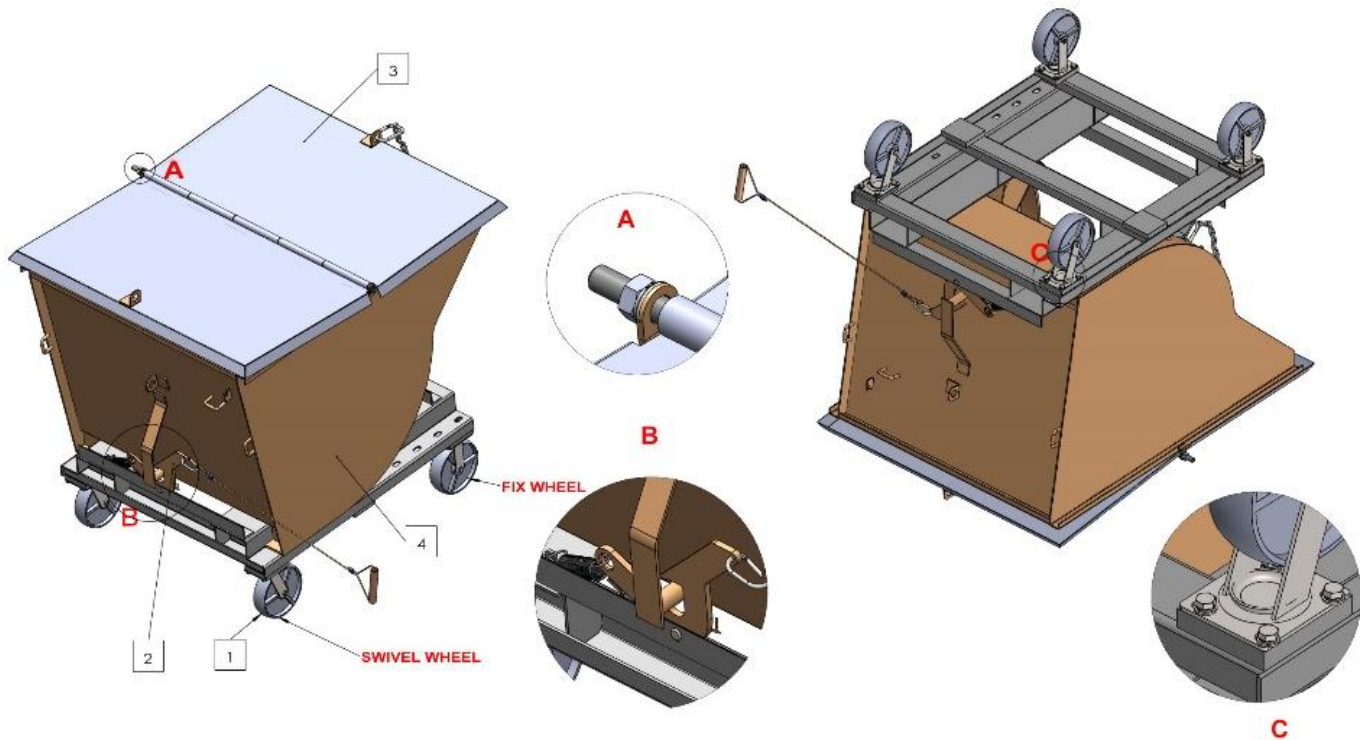
KEY	DESCRIPTION	QTY
-----	-------------	-----

(1)	HOPPER ASSY	1
(2)	BASE FAME ASSY	1
(3)	SAFETY PIN	2
(4)	HINGE SHAFT	2
(5)	TENSION SPRING	1
(6)	LATCH HANDLE	1
(7)	LATCH HOOK	1
(8)	COTTER PIN	2
(9)	PIN A16X45	2
(10)	FLAT WASHER M16	1

ASSEMBLY INSTRUCTIONS

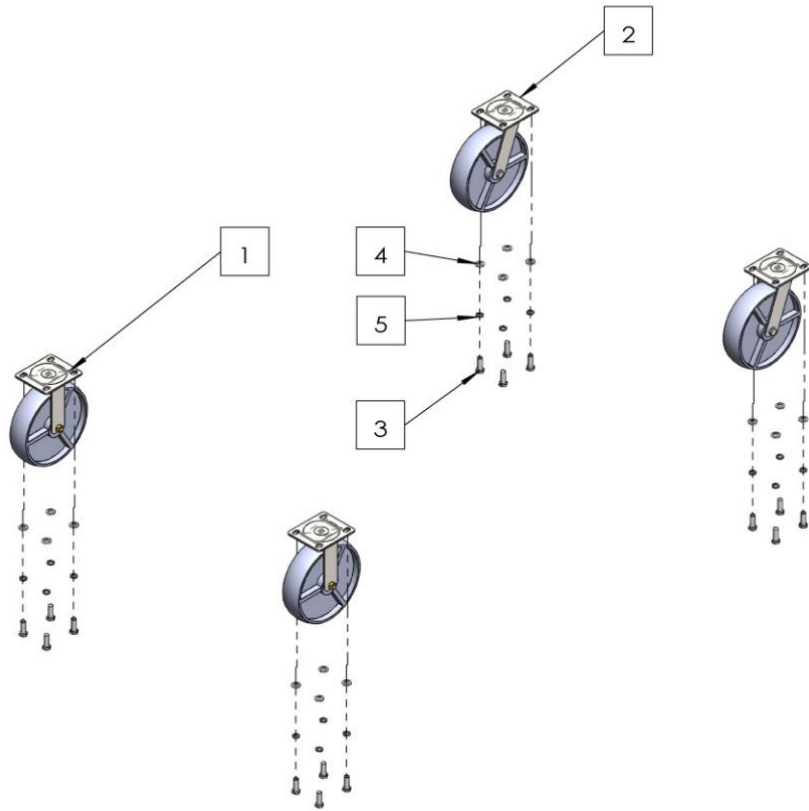
- This product is shipped in full assembly. No assembling is needed.
- There are 3 optional items that can be purchased separately.

OPTIONAL ITEMS



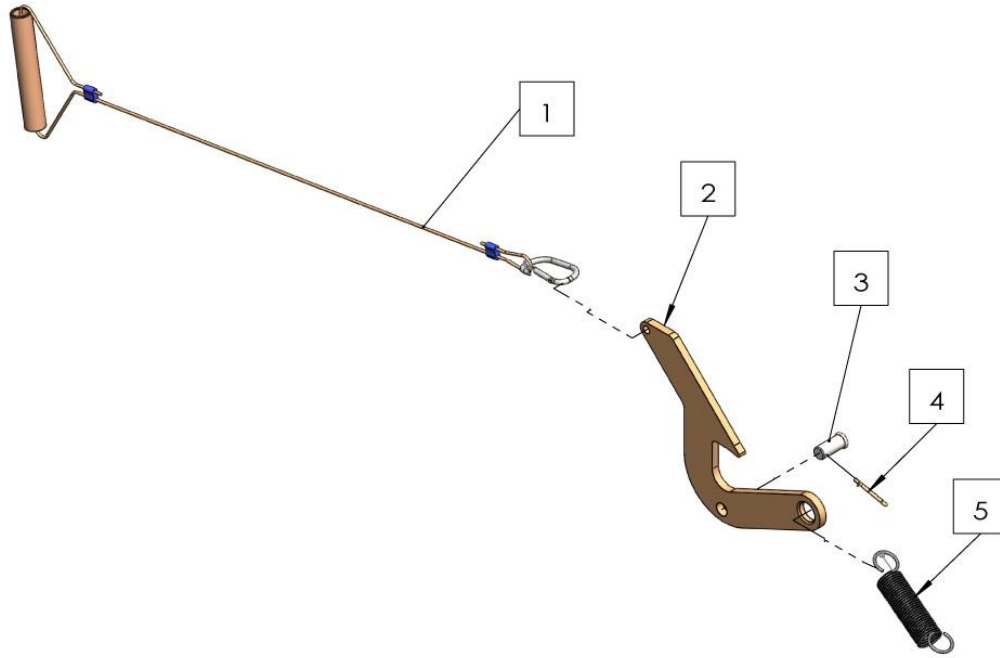
KEY	DESCRIPTION
(1)	CASTOR WHEEL ASSEMBLY (SDCASTERS)
(2)	CABLE PULL LATCH (SDLATCH)
(3)	HOPPER STEEL LID (SDLID2)
(4)	SELF-DUMP HOPPER (SELFDUMP2)

OPTIONAL ITEM 1 – CASTOR WHEEL ASSEMBLY (SDCASTERS)



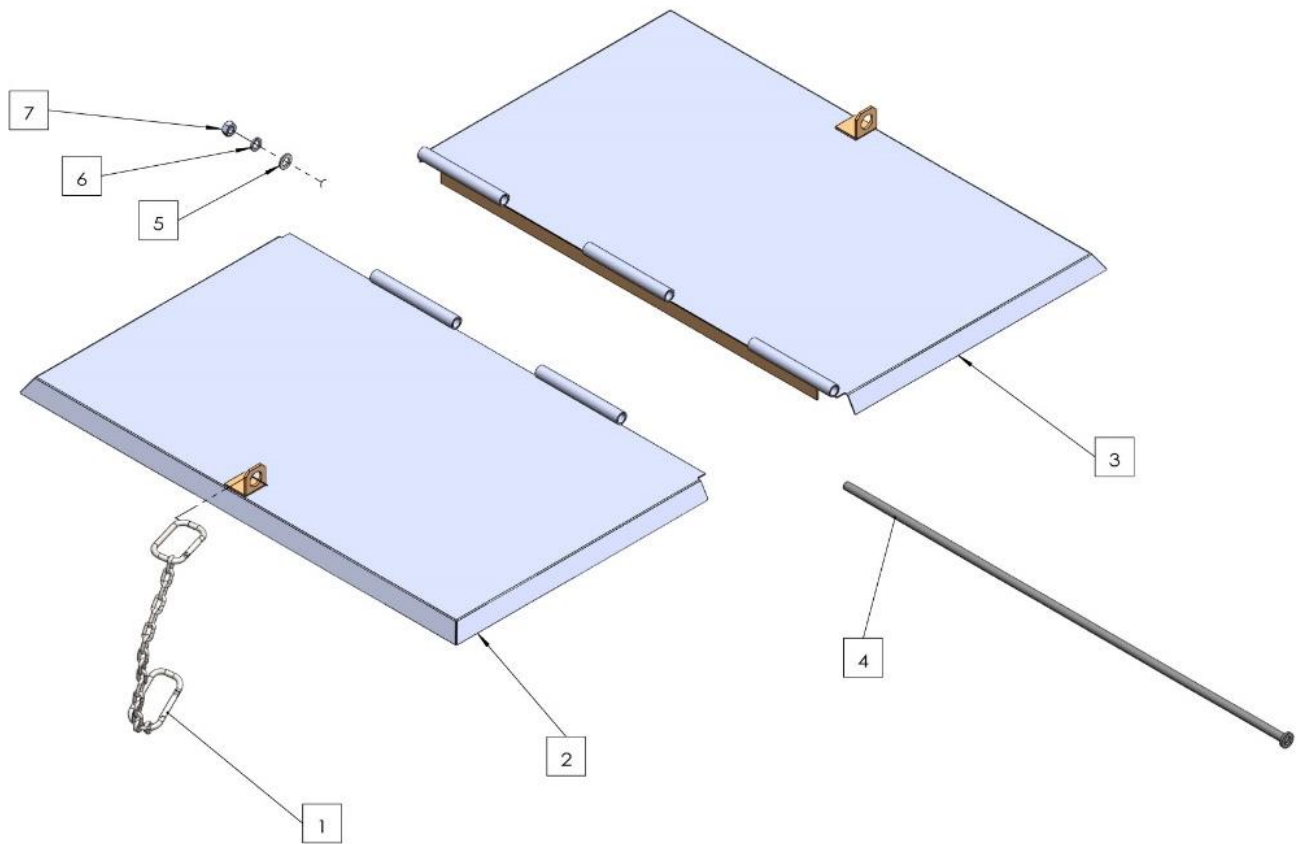
KEY	DESCRIPTION	QTY
(1)	8" NONSWIVEL CASTER WHEEL	2
(2)	8" SWIVEL CASTER WHEEL	1
(3)	HEXA BOLT M10x30	16
(4)	FLAT WASHER M10	16
(5)	SPRING WASHER M10	16

OPTIONAL ITEM 2 – CABLE PULL LATCH (SDLATCH)



KEY	DESCRIPTION	QTY
(1)	LATCH CABLE ASSY	1
(2)	LATCH HOOK	1
(3)	PIN A16X35	1
(4)	COTTER PIN 4X45	1
(5)	TENSION SPRING	1

OPTIONAL ITEM 3 – HOPPER STEEL LID (SDLID 2)



KEY	DESCRIPTION	QTY
(1)	RETAINER CHAIN ASSY	1
(2)	FRONT LID	1
(3)	REAR LID	1
(4)	HINGE SHAFT	1
(5)	FLAT WASHER 16	1
(6)	SPRING WASHER 16	1
(7)	HEX NUT M16	1

ACKNOWLEDGEMENT OF RISK AND RELEASE OF LIABILITY

The use of any equipment, including this one, involves the potential risk of injury. Apart from any warranty claim that might be presented for a claimed defect in material or workmanship of the product, you accept and assume full responsibility for any and all injuries, damages (both economic and non-economic), and losses of any type, which may occur, and you fully and forever release and discharge Titan, its insurers, employees, officers, directors, associates, and agents from any and all claims, demands, damages, rights of action, or causes of action, present or future, whether the same be known or unknown, anticipated, or unanticipated, resulting from or arising out of the use of said equipment.

This equipment must be used with care by capable and competent individuals under supervision, if necessary.

TITAN LIMITED WARRANTY: TERMS, EXCLUSIONS AND LIMITATIONS OF REMEDIES

This product comes with a one (1) year limited warranty that can be found at www.palletforks.com/warranty.html. Please review the same for all details regarding the Titan Limited Warranty.

THE TITAN LIMITED WARRANTY FOUND AT WWW.PALLETFORKS.COM/WARRANTY.HTML IS EXCLUSIVE AND IS IN LIEU OF ALL OTHER WARRANTIES, EXPRESS OR IMPLIED, INCLUDING ANY IMPLIED WARRANTY OF MERCHANTABILITY AND/OR FITNESS FOR A PARTICULAR PURPOSE, EACH OF WHICH IS HEREBY DISCLAIMED.



NEED HELP? CONTACT US FIRST.

1-800-605-7595

info@palletworks.com
www.palletforks.com

© 2021 Titan Brands