

LW FORKLIFT PLATFORM SAFETY CAGE

LWP10v2

194211

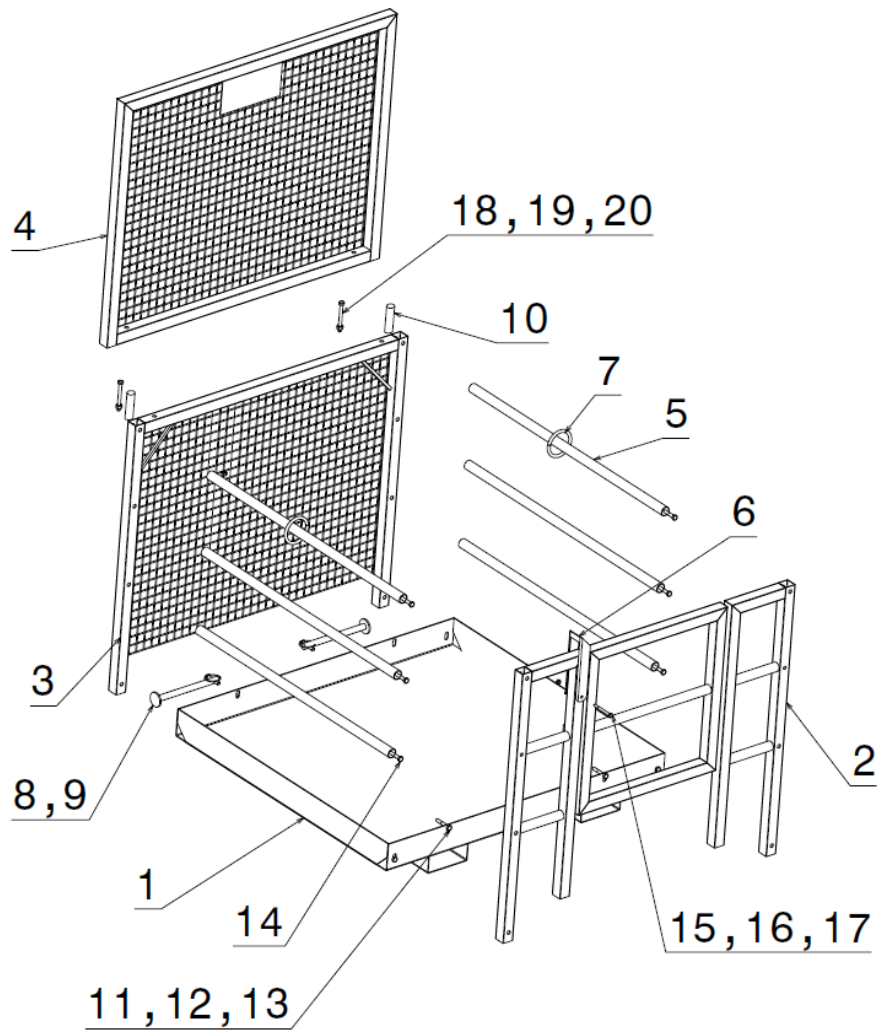


Operator's Manual



Read the Operator's Manual entirely. When you see this symbol, the subsequent instructions and warnings are serious follow without exception. Your life and the lives of others depend on it!

PARTS DIAGRAM / EXPLODED VIEW

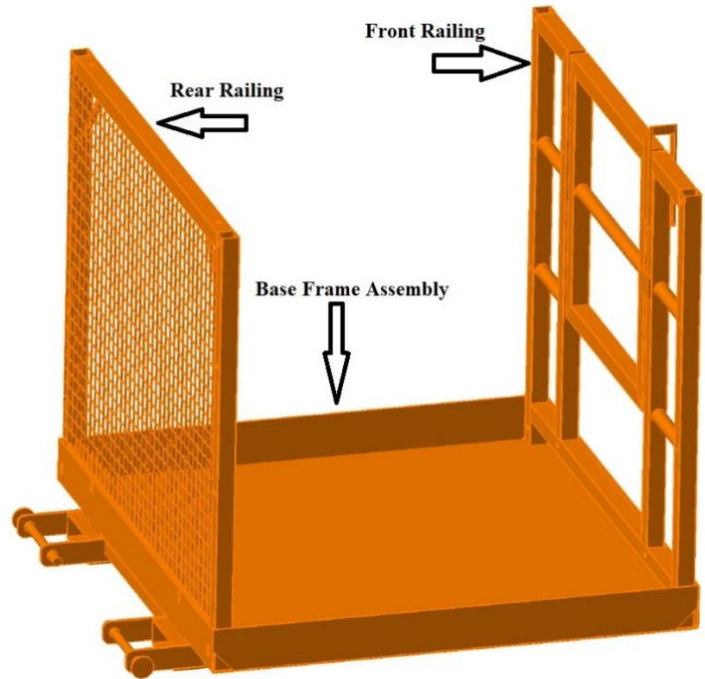


ITEM	PART	DESCRIPTION	QTY	ITEM	DESCRIPTION	QTY
1	194211-01	BASE FRAME ASSEMBLY	1	11	M16 NUT AND BOLT	6
2	194211-02	FRONT RAILING	1	12	M10 NYLOCK NUT	6
3	194211-03	REAR RAILING	1	13	M10 PLAIN WASHER	6
4	194211-04	MESH SAFETY SCREEN	1	14	BOLT M10X50	12
5	194211-05	SIDE RAILINGS	6	15	BOLT M8X80	1
6	194211-06	DOOR LOCK	1	16	M8 NYLOCK NUT	1
7	194211-07	SAFETY RING	2	17	M8 PLAIN WASHER	1
8	194211-08	SAFETY PINS	2	18	BOLT M10X110	2
9	194211-09	6MM LYNCH PIN	2	19	M10 NYLOCK NUT	2
10	194211-10	CONNECTOR PIPE	2	20	M10 PLAIN WASHER	2

ASSEMBLY INSTRUCTIONS

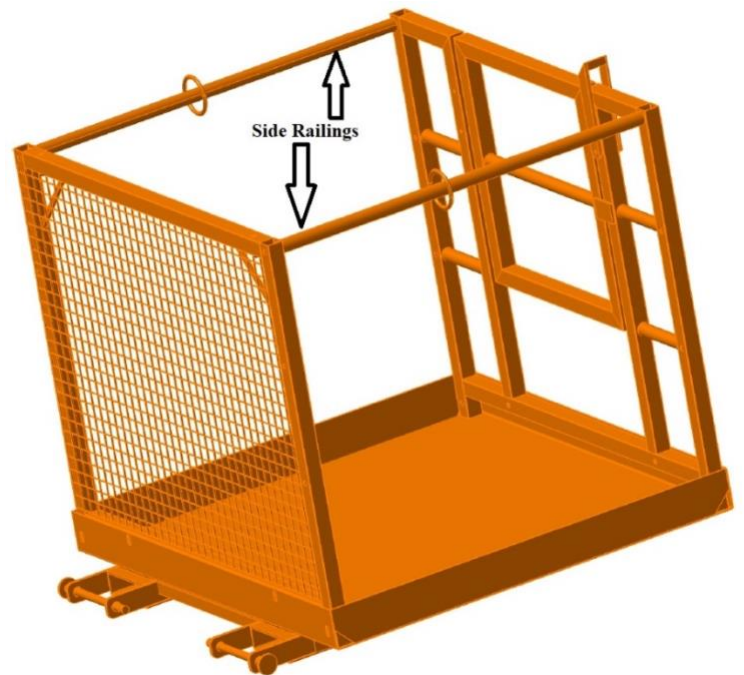
STEP 1:

Place the front railing and Rear railing on the appropriate corner of Base frame assembly, loosely secure in place with the included hardware, do not fully tighten at this time.



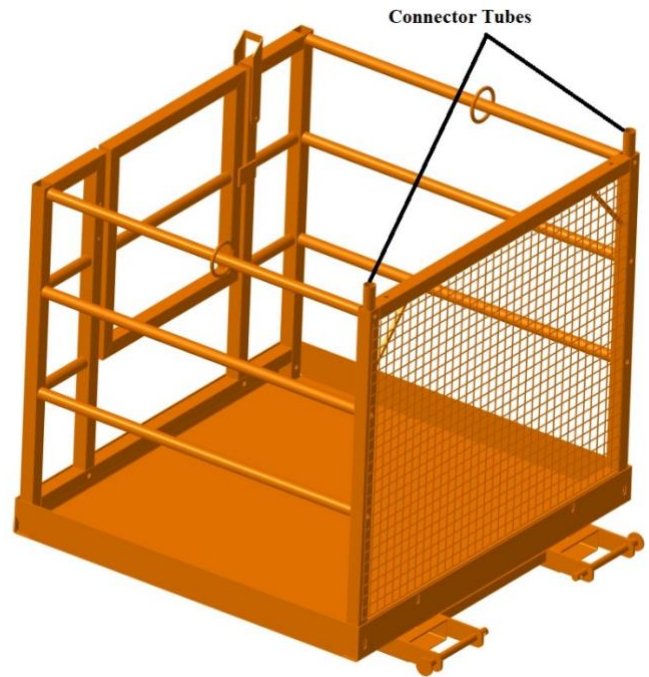
STEP 2:

Assemble the right & left side railings onto front railing and loosely bolt in place.



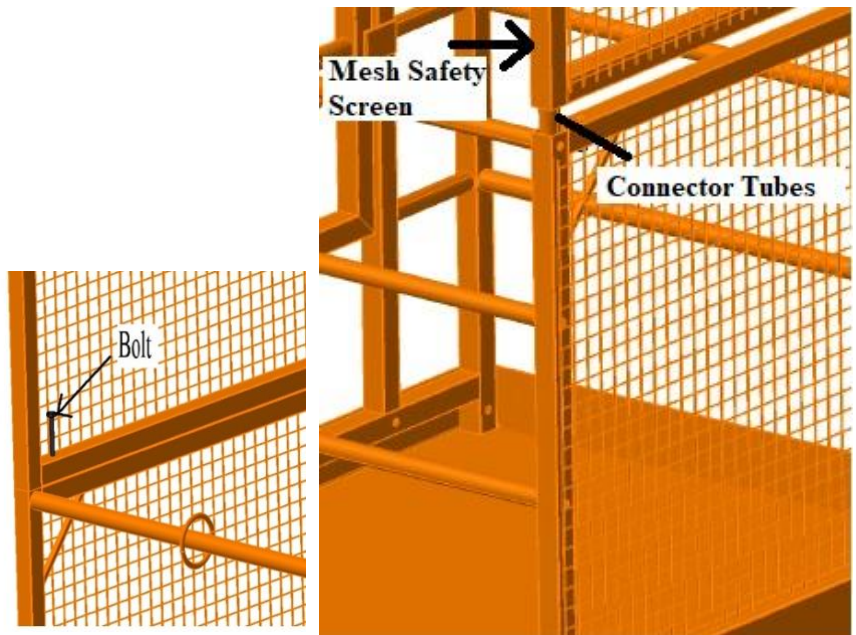
STEP 3:

Place the connector tubes into each of the rear railing posts as shown and bolt in place through side railings, connector tubes & rear railing.



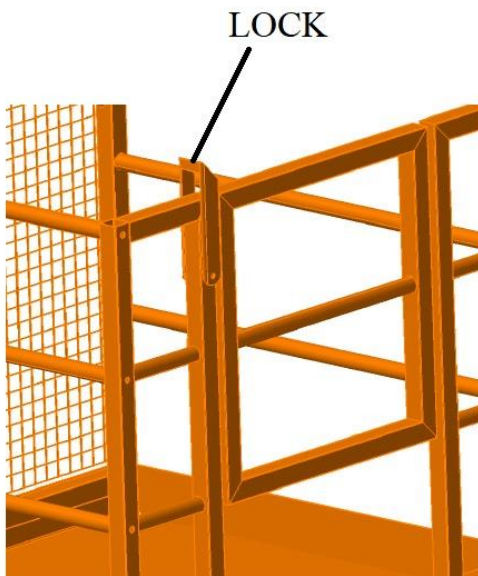
STEP 4:

Set the Mesh safety screen on the Connector Tubes and bolt in place. At this time, tighten all of the fasteners on forklift cage.



STEP 5:

Assemble the lock in position.



ACKNOWLEDGEMENT OF RISK AND RELEASE OF LIABILITY

The use of any equipment, including this one, involves the potential risk of injury. Apart from any warranty claim that might be presented for a claimed defect in material or workmanship of the product, you accept and assume full responsibility for any and all injuries, damages (both economic and non-economic), and losses of any type, which may occur, and you fully and forever release and discharge Titan, its insurers, employees, officers, directors, associates, and agents from any and all claims, demands, damages, rights of action, or causes of action, present or future, whether the same be known or unknown, anticipated, or unanticipated, resulting from or arising out of the use of said equipment.

This equipment must be used with care by capable and competent individuals under supervision, if necessary.

WARNING



Do not overfill! Mower should be level when checking oil in gear box.



some activities might be able to cause electric shock



Sharp objects may be involved.
Use protective cover during maintenance.

TITAN LIMITED WARRANTY: TERMS, EXCLUSIONS AND LIMITATIONS OF REMEDIES

This product comes with a one (1) year limited warranty that can be found at www.palletforks.com/warranty.html. Please review the same for all details regarding the Titan Limited Warranty.

THE TITAN LIMITED WARRANTY FOUND AT WWW.PALLETFORKS.COM/WARRANTY.HTML IS EXCLUSIVE AND IS IN LIEU OF ALL OTHER WARRANTIES, EXPRESS OR IMPLIED, INCLUDING ANY IMPLIED WARRANTY OF MERCHANTABILITY AND/OR FITNESS FOR A PARTICULAR PURPOSE, EACH OF WHICH IS HEREBY DISCLAIMED.



NEED HELP? CONTACT US FIRST.

1-800-605-7595

info@palletworks.com

www.palletforks.com

© 2024 Titan Brands