

# MINI SKID STEER HYDRAULIC DOZER BLADE

---

TOROSNOW

170303

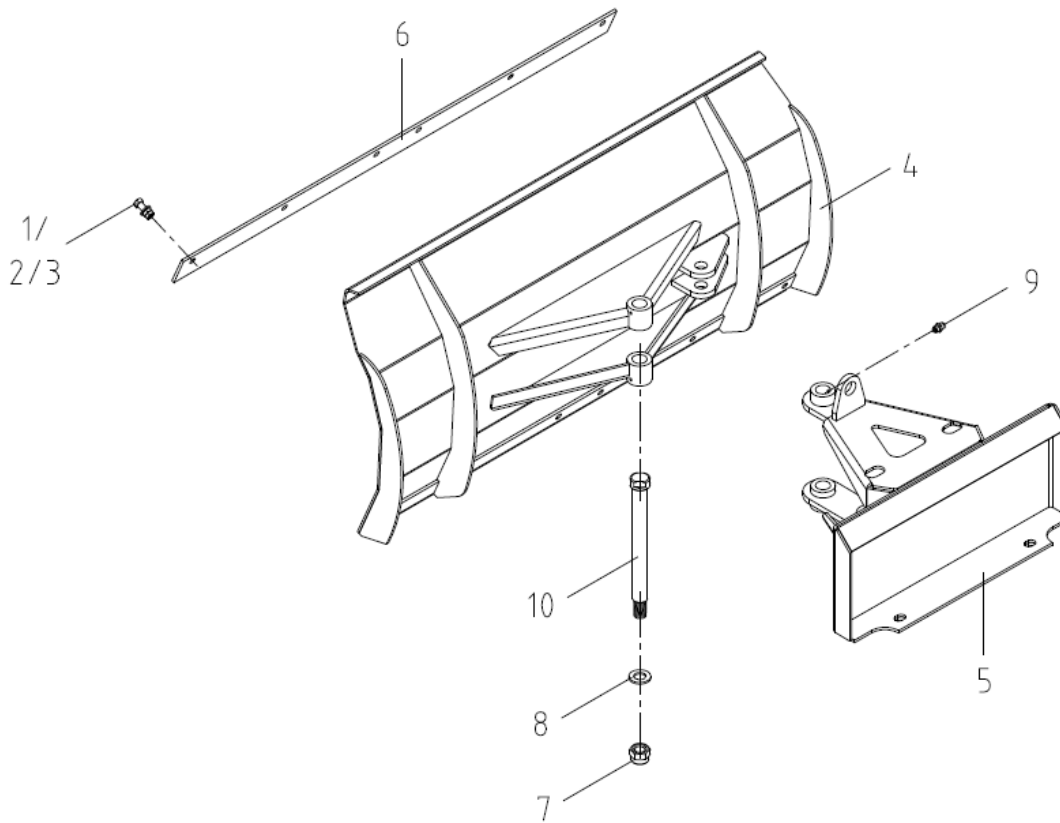


## Operator's Manual



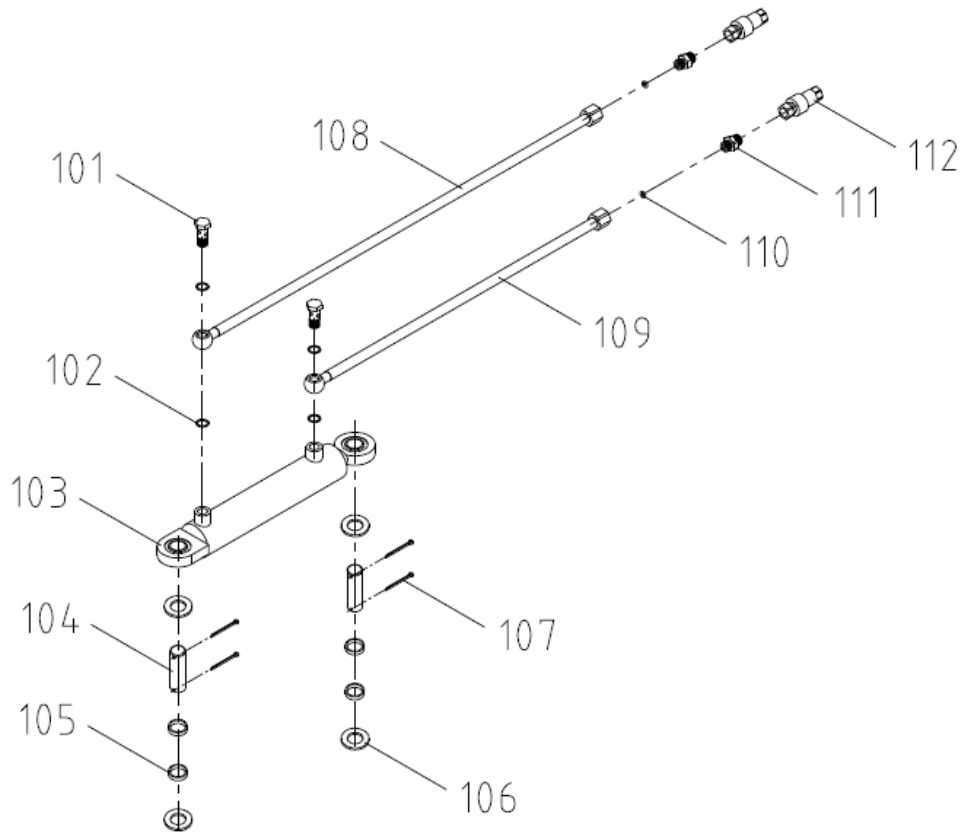
Read the Operator's Manual entirely. When you see this symbol, the subsequent instructions and warnings are serious follow without exception. Your life and the lives of others depend on it!

**TOROSNOW PARTS DIAGRAM / EXPLODED VIEW**



KEY	PART NUMBER	DESCRIPTION	QTY
(1)	GB/T5782-2000	BOLT M12X35	6
(2)	GB/T9-7.20012	PLAIN WASHER 12	6
(3)	GB/T889.1-2000	LOCK NUT M12	6
(4)	SPT122.01.011	MAIN SNOW BLADE WELDMENT	1
(5)	SPT122.01.012	CONNECTION FRAME WELDMENT	1
(6)	SPT122.01.101	SPADE PLATE	1
(7)	GB/T889.1-2000	LOCK NUT M24	1
(8)	GB/T9-7.20012	PLAIN WASHER 24	1
(9)	JB/T7940.1-2000	OIL CUP M6	4
(10)	SBE180.018	ROTATION PIN	1

## HYDRAULIC SYSTEM PARTS DIAGRAM / EXPLODED VIEW

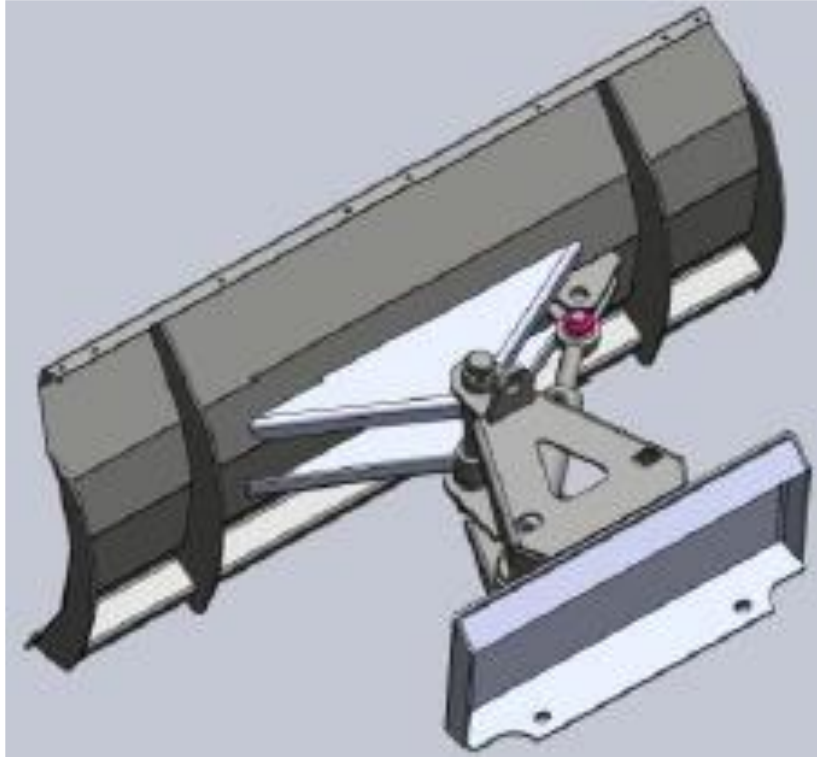


KEY	PART NUMBER	DESCRIPTION	QTY
(101)	SBE180.404	HOLLOW BOLT M16X1.5	2
(102)	JB/T4454-2000	COPPER PAD 16	4
(103)	SPT122.04.101	HYDRAULIC CYLINDER	1
(104)	SBE180.401	SHAFT AXLE OF CYLINDER	2
(105)	SBE180.402	PAD OF CYLINDER	4
(106)	GB/T97.1-2002	PLAIN WASHER 24	4
(107)	GB/T91-2000	CUTTER PIN 4X50	4
(108)	SPT122.04.102	LONG OIL PIPE	1
(109)	SPT122.04.103	SHORT OIL PIPE	1
(110)	GB/T3452.1-2000	SEAL RING 11X2.4	2
(111)	SBE180.405	JOINT M16X1.5-R1/2	2
(112)	GB/T8606-2000	QUICK JOINT XZG1/2	2

## ASSEMBLY INSTRUCTIONS

---

1. Read the operation manual carefully before unpacking and assembling the TOROSNOW snow blade.
2. This snow blade was completely assembled before packing. There is 1 snow blade body inside the package, includes hydraulic system.
3. Get the snow blade out, tighten all the bolts and connect the snow blade to skid steer.



## ACKNOWLEDGEMENT OF RISK AND RELEASE OF LIABILITY

---

The use of any equipment, including this one, involves the potential risk of injury. Apart from any warranty claim that might be presented for a claimed defect in material or workmanship of the product, you accept and assume full responsibility for any and all injuries, damages (both economic and non-economic), and losses of any type, which may occur, and you fully and forever release and discharge Titan, its insurers, employees, officers, directors, associates, and agents from any and all claims, demands, damages, rights of action, or causes of action, present or future, whether the same be known or unknown, anticipated, or unanticipated, resulting from or arising out of the use of said equipment.

This equipment must be used with care by capable and competent individuals under supervision, if necessary.

## WARNING

---



**Do not overfill!** Mower should be level when checking oil in gear box.



some activities might be able to cause electric shock



Sharp objects may be involved.  
Use protective cover during maintenance.

## TITAN LIMITED WARRANTY: TERMS, EXCLUSIONS AND LIMITATIONS OF REMEDIES

---

This product comes with a one (1) year limited warranty that can be found at [www.palletforks.com/warranty.html](http://www.palletforks.com/warranty.html). Please review the same for all details regarding the Titan Limited Warranty.

**THE TITAN LIMITED WARRANTY FOUND AT [WWW.PALLETFORKS.COM/WARRANTY.HTML](http://WWW.PALLETFORKS.COM/WARRANTY.HTML) IS EXCLUSIVE AND IS IN LIEU OF ALL OTHER WARRANTIES, EXPRESS OR IMPLIED, INCLUDING ANY IMPLIED WARRANTY OF MERCHANTABILITY AND/OR FITNESS FOR A PARTICULAR PURPOSE, EACH OF WHICH IS HEREBY DISCLAIMED.**



**NEED HELP? CONTACT US FIRST.**

**1-800-605-7595**

[info@palletworks.com](mailto:info@palletworks.com)

[www.palletforks.com](http://www.palletforks.com)

© 2024 Titan Brands