

# SMITH MACHINE

---

SMTHMACHKITv1b

401874



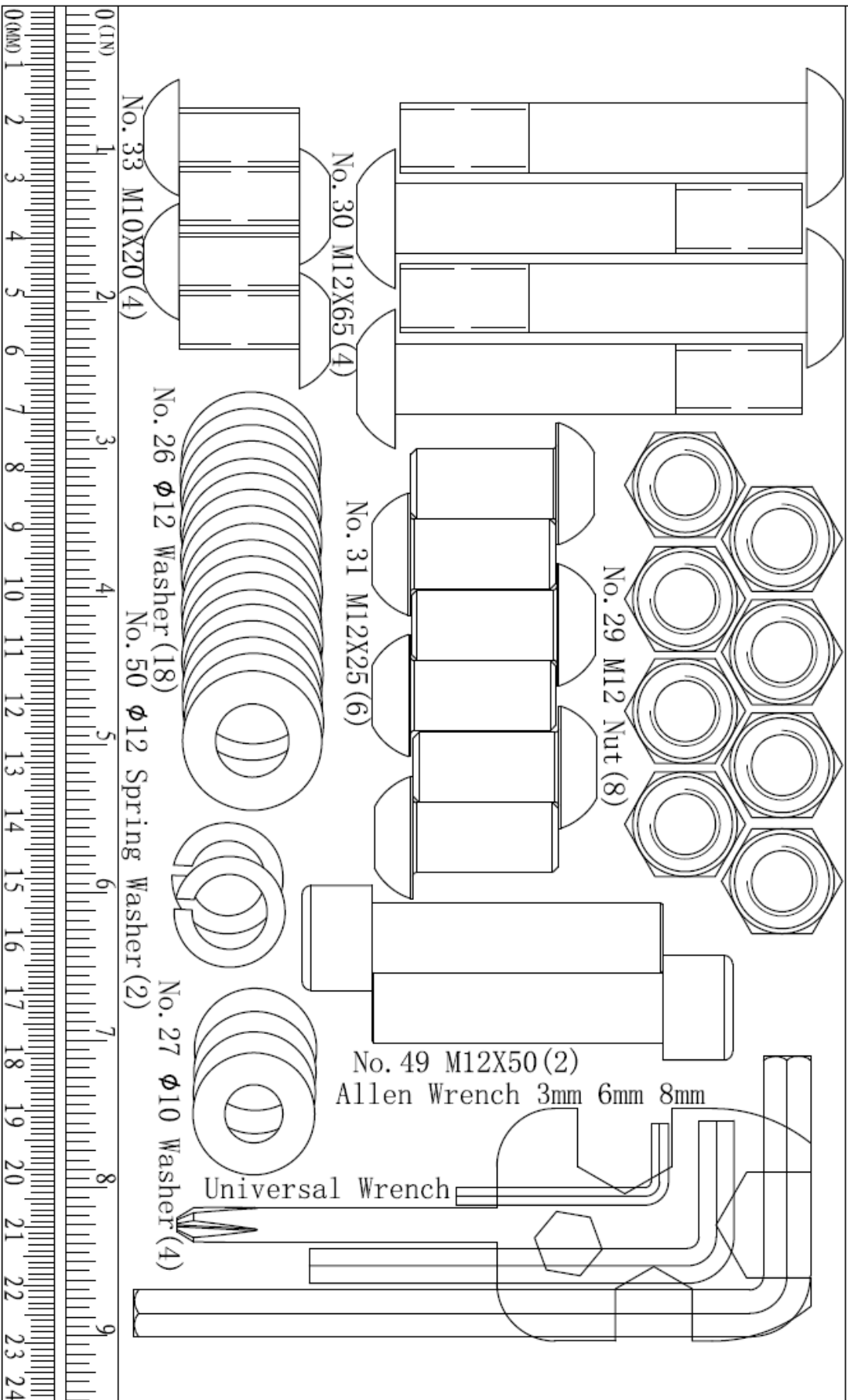
## Operator's Manual



Read the Operator's Manual entirely. When you see this symbol, the subsequent instructions and warnings are serious follow without exception. Your life and the lives of others depend on it!

# HARDWARE PACK

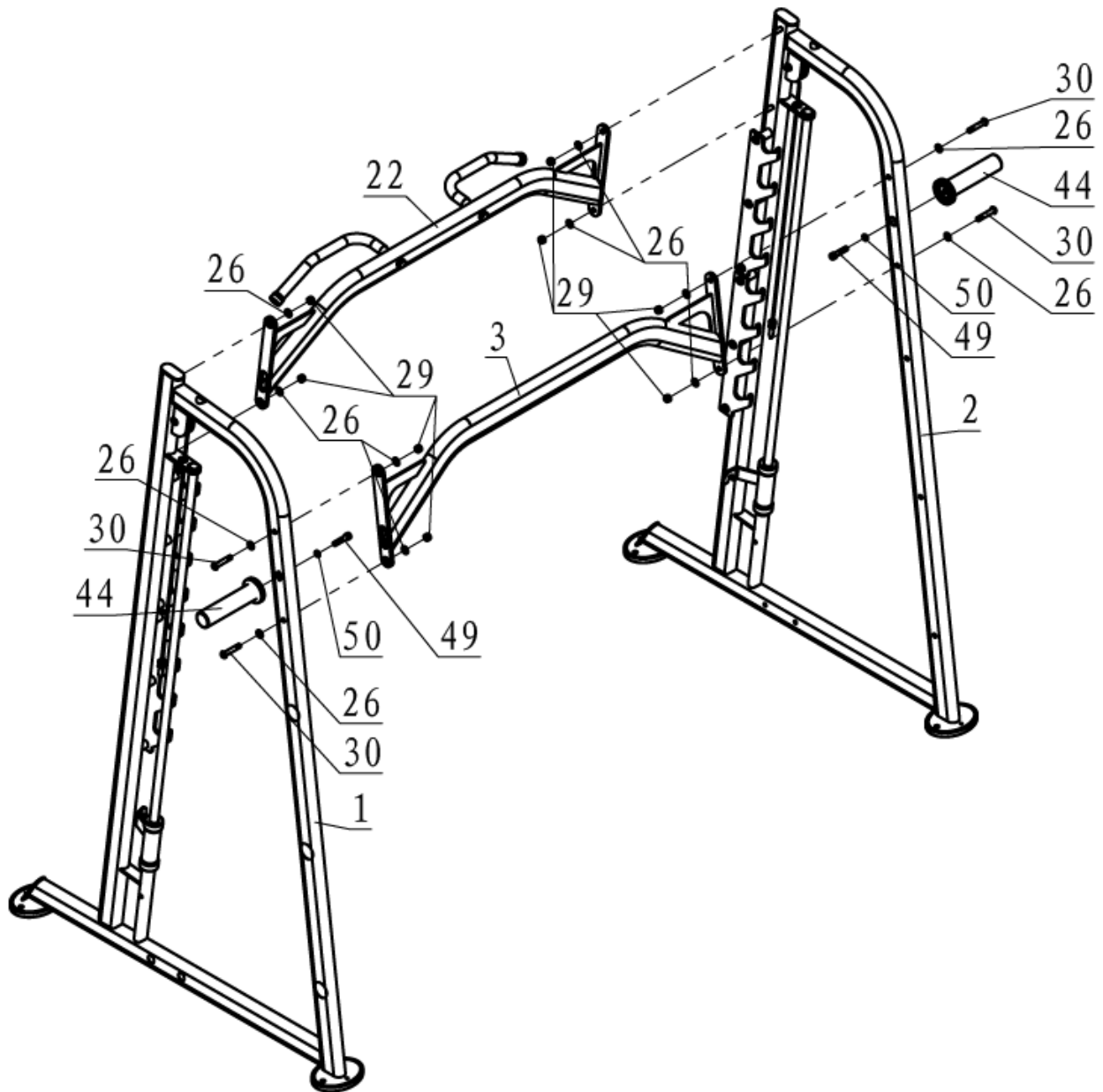
SM40



## ASSEMBLY INSTRUCTIONS

### Step 1

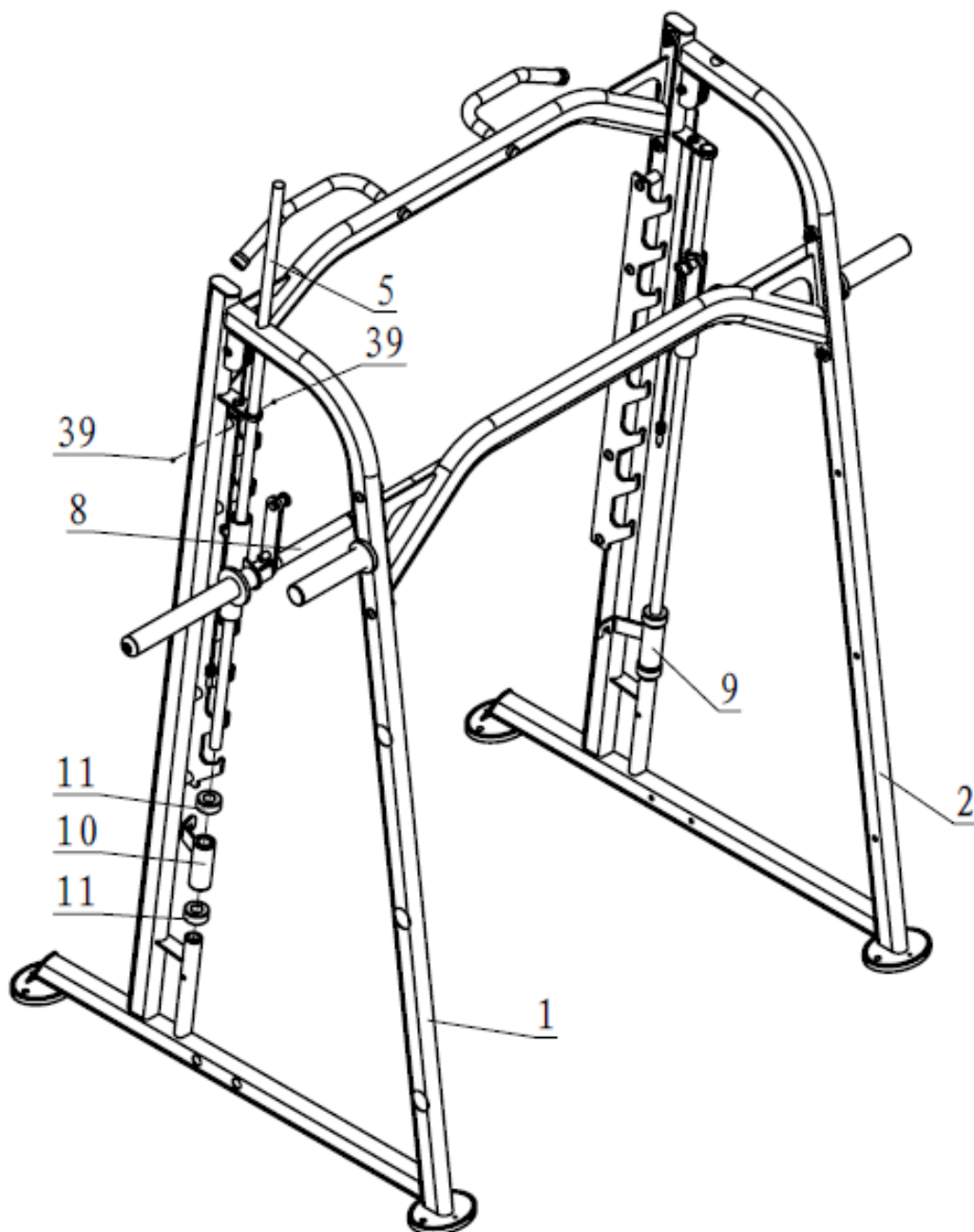
1. Please use Round Head Bolt (49) and Spring Washer (50) to fix the Short Weight Plate Holder (44) to the Left Frame (1) and Right Frame (2).
2. Use Flat Washer (26), Nut (29) and Pan-head Bolt (30) to secure the Upper Connecting Frame (3) to the Left Frame (1) and the Right Frame (2) together;
3. Use Flat Washer (26) and Nut (29) to fix the Upper Connecting Frame (22), the Left Frame (1), and the Right Frame (2) together.



## Step 2

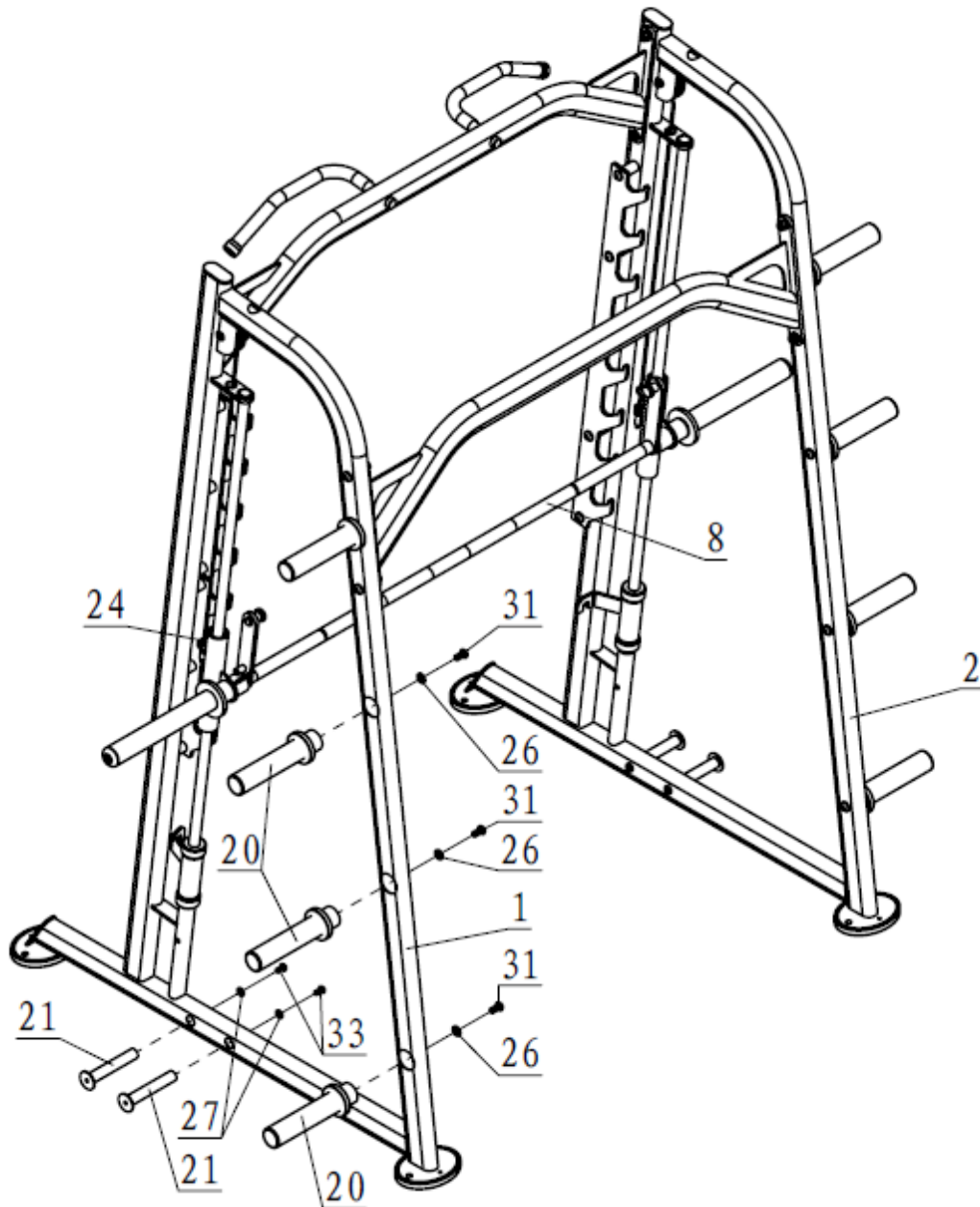
1. Please loosen the four Allen Bolts (39), two on the Left Frame (1) and two on the Right Frame (2), and pull up the Smith Guide Rods (5) on both the left and right sides.
2. Please connect the Barbell (8), Rubber Bumper (11), Right Safety Frame (9), Left Safety Frame (10) to the Guide Rod (5), then pull down the Guide Rod (5) and tighten the four Allen Bolts (39) on each side at the top of the Guide Rods.

**Note: The linear bearing should be concentric with the guide rod during assembly to prevent damage to the linear bearing. Please remove the round label before installation.**

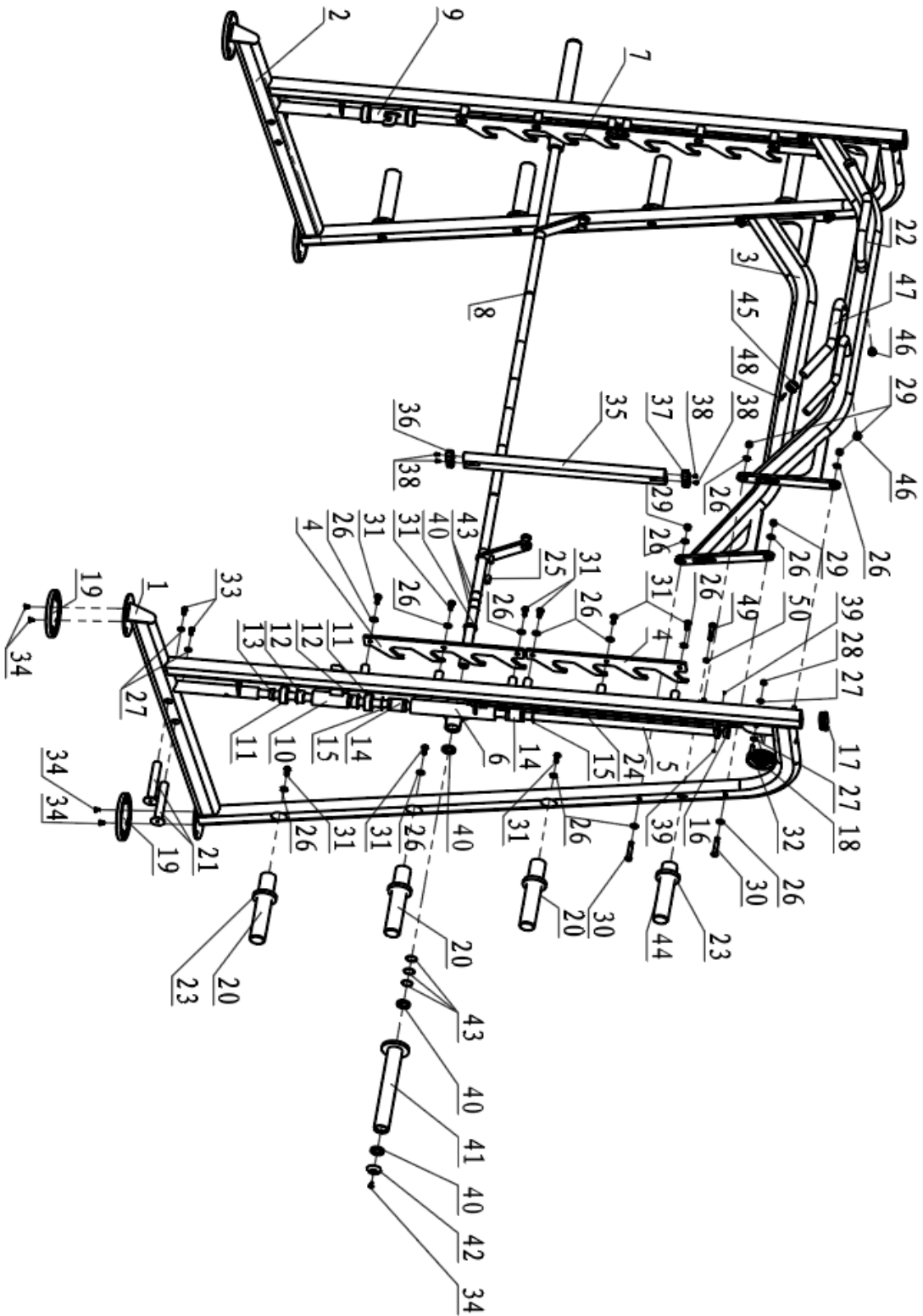


### Step 3

1. Please connect the Cable (24) to Long Weight Plate Holder;
2. Please using the Allen Bolt (31) and Flat Washer(26) to fix the Olympic Plate Adapter (20) to Left Frame (1) and Right Frame (2);
3. Please using the Allen Bolt (33) and Flat Washer (27) to fix the Stretch Cords Holder (21) to Left Frame (1) and Right Frame (2).



APPENDIX - FULL ASSEMBLY/EXPLODED VIEW/ FULL PARTS LIST



KEY	DESCRIPTION	QTY	KEY	DESCRIPTION	QTY
(1)	LEFT FRAME	1	(26)	FLAT WASHER $\Phi 13.5 \times \Phi 24 \times 2.5$	30
(2)	RIGHT FRAME	1	(27)	FLAT WASHER $\Phi 11 \times \Phi 20 \times 2$	8
(3)	TOP CONNECT FRAME	1	(28)	NUT M10	2
(4)	SAFETY FORK	4	(29)	NUT M12	8
(5)	GUIDE ROD $\Phi 25 \times 1635$	2	(30)	HEX BOLT M12*65	4
(6)	LEFT SLIDE FRAME	1	(31)	HEX BOLT M12*25	18
(7)	RIGHT SLIDE FRAME	1	(32)	HEX BOLT M10*45	2
(8)	BARBELL RACK	1	(33)	HEX BOLT M10*20	4
(9)	RIGHT SUB-SAFETY FRAME	1	(34)	HEX BOLT M8*15	10
(10)	LEFT SUB-SAFETY FRAME	1	(35)	WEIGHT ASSEMBLY	2
(11)	RUBBER CUSHION $\Phi 55 \times \Phi 25 \times 25$	4	(36)	END CAP	2
(12)	BUSHING $\Phi 48 - \Phi 25$	4	(37)	END CAP	2
(13)	BUSHING $\Phi 38 - \Phi 25$	2	(38)	HEX BOLT M6*10	8
(14)	BEARING LM25	4	(39)	HEX BOLT M6*6	4
(15)	CIRCLIP $\Phi 40$	4	(40)	BALL BEARING	8
(16)	BUSHING $\Phi 36 \times \Phi 25.5 \times 15$	2	(41)	BARBELL ASSEMBLY	2
(17)	END CAP $40 \times 80 \times 2$	2	(42)	COVER CAP $\Phi 48 \times \Phi 30.5 \times 10$	2
(18)	PULLEY $\Phi 95$	2	(43)	ADJUSTING WASHER	12
(19)	FOOT MAT	4	(44)	BARBELL RACK	2
(20)	OLYMPIC PLATE ADAPTER	6	(45)	ROUND END	2
(21)	STRETCH CORDS HOLDER	4	(46)	END CAP	2
(22)	FRONT TOP CROSS FRAME	1	(47)	HANDLE GLOVE	2
(23)	BELL CUSHION $\Phi 77 \times \Phi 47.5 \times 13$	8	(48)	HEX BOLT M6*20	2
(24)	CABLE $\Phi 5 \times M12 \times 1570$	2	(49)	HEX BOLT M12*50	2
(25)	RUBBER END CAP $\Phi 16 \times \Phi 12 \times 26$	1	(50)	SPRING WASHER	2

## ACKNOWLEDGEMENT OF RISK AND RELEASE OF LIABILITY

---

The use of any equipment, including this one, involves the potential risk of injury. Apart from any warranty claim that might be presented for a claimed defect in material or workmanship of the product, you accept and assume full responsibility for any and all injuries, damages (both economic and non-economic), and losses of any type, which may occur, and you fully and forever release and discharge Titan, its insurers, employees, officers, directors, associates, and agents from any and all claims, demands, damages, rights of action, or causes of action, present or future, whether the same be known or unknown, anticipated, or unanticipated, resulting from or arising out of the use of said equipment.

This equipment must be used with care by capable and competent individuals under supervision,

## WARNING

---



Heavy object. Use lifting aids and proper lifting techniques when moving.



Choking hazard. Small parts – Please exercise caution if small children or pets are present.



Sharp objects may be involved. Use precaution and protection.

## TITAN LIMITED WARRANTY: TERMS, EXCLUSIONS AND LIMITATIONS OF REMEDIES

---

This product comes with a one (1) year limited warranty that can be found at [www.titan.fitness/warranty.html](http://www.titan.fitness/warranty.html) Please review the same for all details regarding the Titan Limited Warranty.

**THE TITAN LIMITED WARRANTY FOUND AT [WWW.TITAN.FITNESS/WARRANTY](http://WWW.TITAN.FITNESS/WARRANTY) IS EXCLUSIVE AND IS IN LIEU OF ALL OTHER WARRANTIES, EXPRESS OR IMPLIED, INCLUDING ANY IMPLIED WARRANTY OF MERCHANTABILITY AND/OR FITNESS FOR A PARTICULAR PURPOSE, EACH OF WHICH IS HEREBY DISCLAIMED.**





**NEED HELP? CONTACT US FIRST.**

**1-888-410-1503**

[info@titan.fitness](mailto:info@titan.fitness)

[www.titan.fitness](http://www.titan.fitness)

© 2024 Titan Brands