

# T-3 SERIES SPACE SAVING RACK

---

400270 - T3UP91-T3SSR12, 400271 - T3UP91-T3SSR18,  
400272 - T3UP91-T3SSR24, 400273 - T3UP82-T3SSR12,  
400274 - T3UP82-T3SSR18, 400275 - T3UP82-T3SSR24,  
401298 - T3UP91-T3SSR12-T3SSRSB12,  
401299 - T3UP91-T3SSR18-T3SSRSB18,  
401300 - T3UP91-T3SSR24-T3SSRSB24,  
401384 - T3UP82-T3SSR12-T3SSRSB12,  
401385 - T3UP82-T3SSR18-T3SSRSB18,  
401386 - T3UP82-T3SSR24-T3SSRSB24



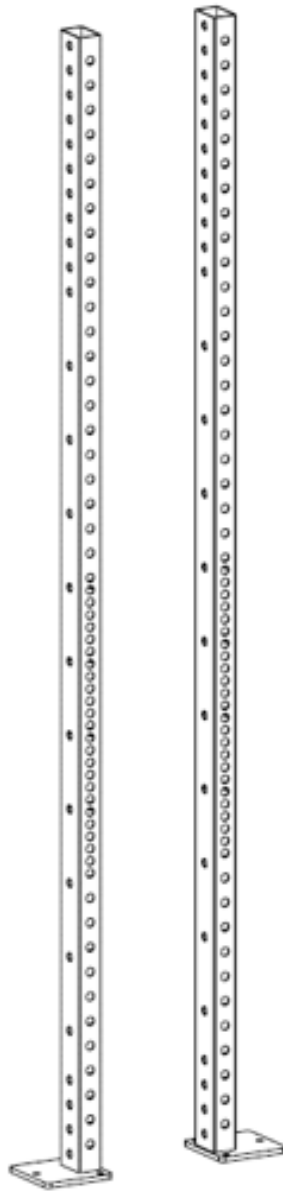
## Operator's Manual



Read the Operator's Manual entirely. When you see this symbol, the subsequent instructions and warnings are serious follow without exception. Your life and the lives of others depend on it!

**82" or 91" UPRIGHTS PARTS DIAGRAM / EXPLODED VIEW**

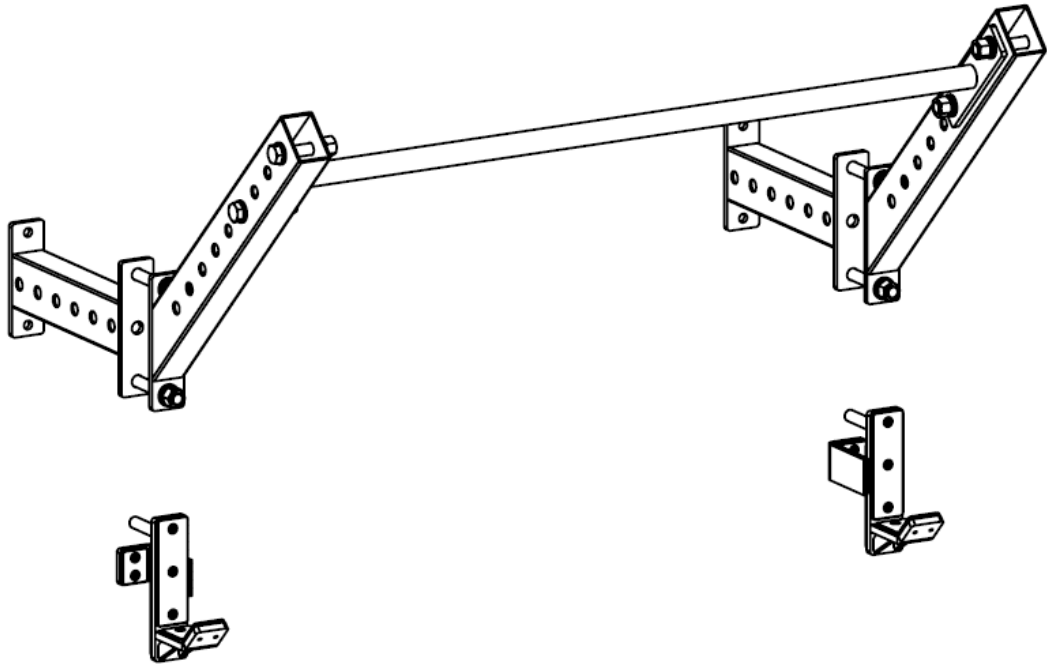
---



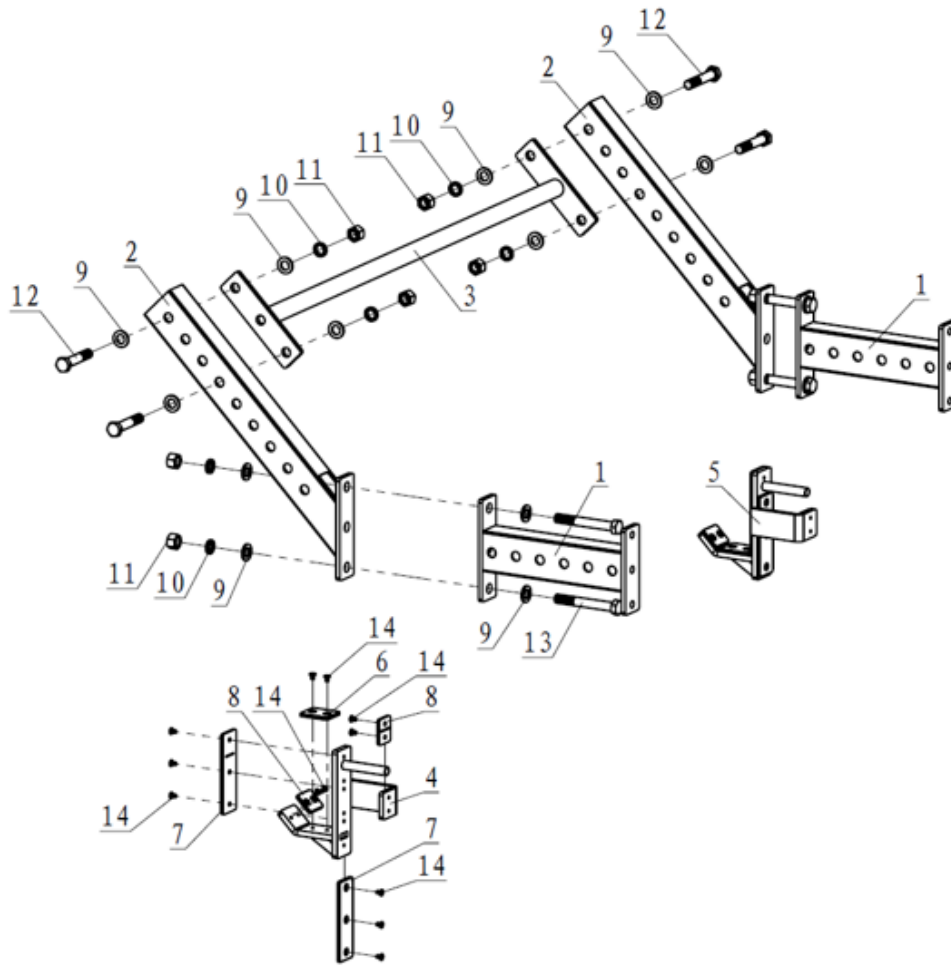
KEY	DESCRIPTION	QTY
1	82" UPRIGHTS	2
2	91" UPRIGHTS	2

**T3SSRT PARTS DIAGRAM / EXPLODED VIEW**

---



KEY	BOX	DESCRIPTION	QTY
1	1	12" DEPTH	1
1	1	18" DEPTH	1
1	1	24" DEPTH	1
2	1	J-HOOKS	2
3	1	SKINNY PULL-UP BAR	1
4	1	ASSEMBLY HARDWARE	



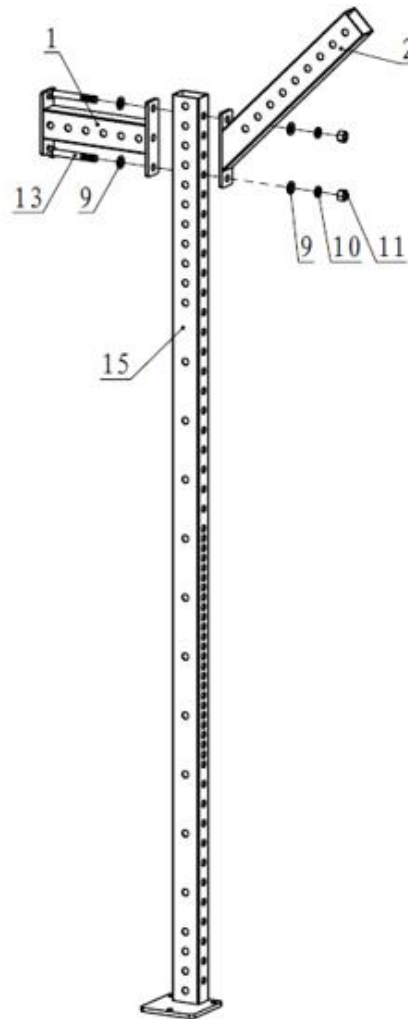
KEY	BOX	DESCRIPTION	QTY	KEY	BOX	DESCRIPTION	QTY
(1)	1	CONNECTING FRAME	2	(8)	1	FRONT PLASTIC PLATE	4
(2)	1	DIAGONAL BRACE	2	(9)	1	FLAT WASHER 17*30*3	16
(3)	1	PULL UP BAR	21	(10)	1	SPRING WASHER 16	8
(4)	1	LEFT J-HOOK	1	(11)	1	NUT M16	8
(5)	1	RIGHT J-HOOK	1	(12)	1	HEX BOLT M16*85	4
(6)	1	SHORT PLASTIC PLATE	2	(13)	1	HEX BOLT M16*120	4
(7)	1	LONG PLASTIC PLATE	4	(14)	1	HEX BOLT M6*10	24

## ASSEMBLY INSTRUCTIONS

---

### STEP 1

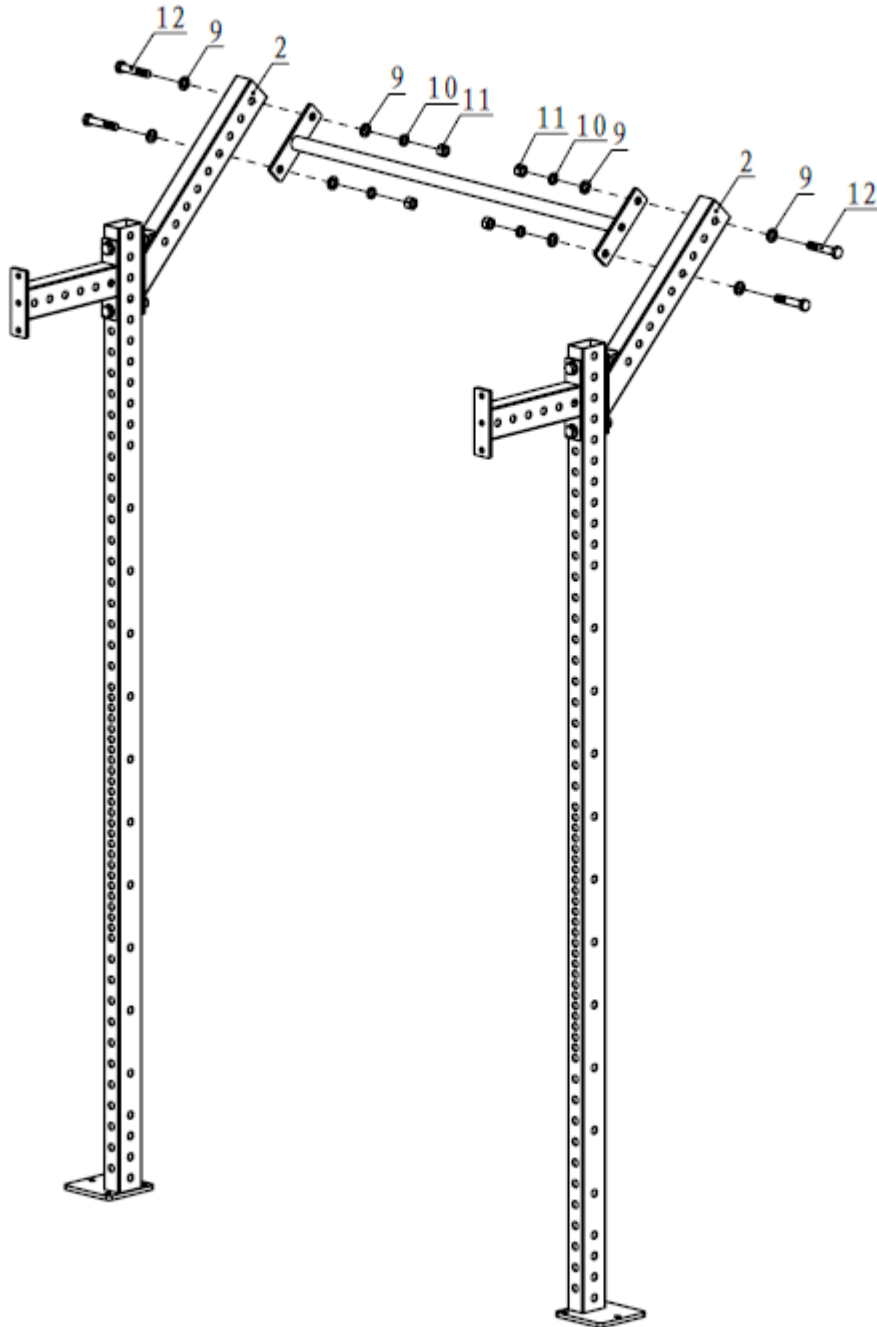
Assemble the Connecting Frame (1), Diagonal Brace (2) and Upright Frame (15) using Flat Washer 17\*30\*3 (9), Spring Washer 16 (10), Nut M16 (11), and Hex Bolt M16\*120 (13).



## STEP 2

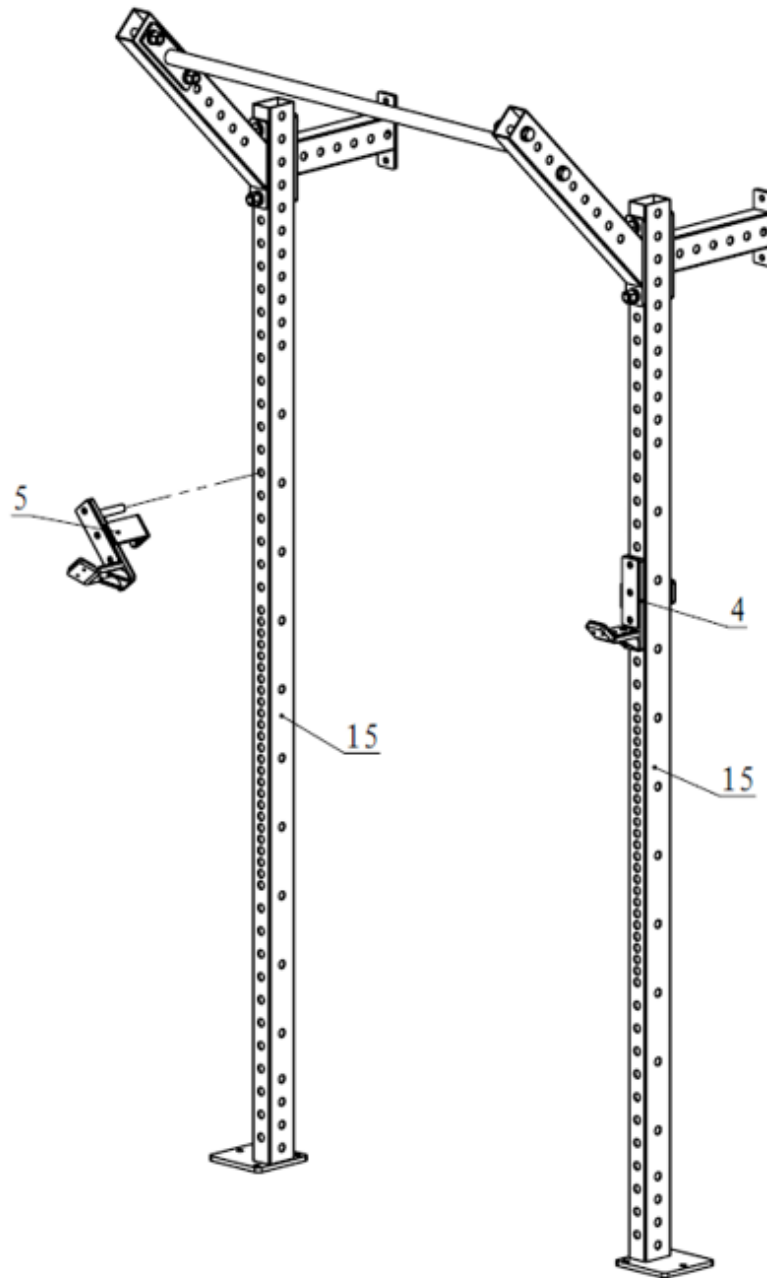
Connect Pull Up bar (3) and Diagonal Brace (2), using Flat Washer 17\*30\*3 (9), Spring Washer 16 (10), Nut M16 (11), and Hex Bolt M16\*85 (12).

Please tighten all bolts.

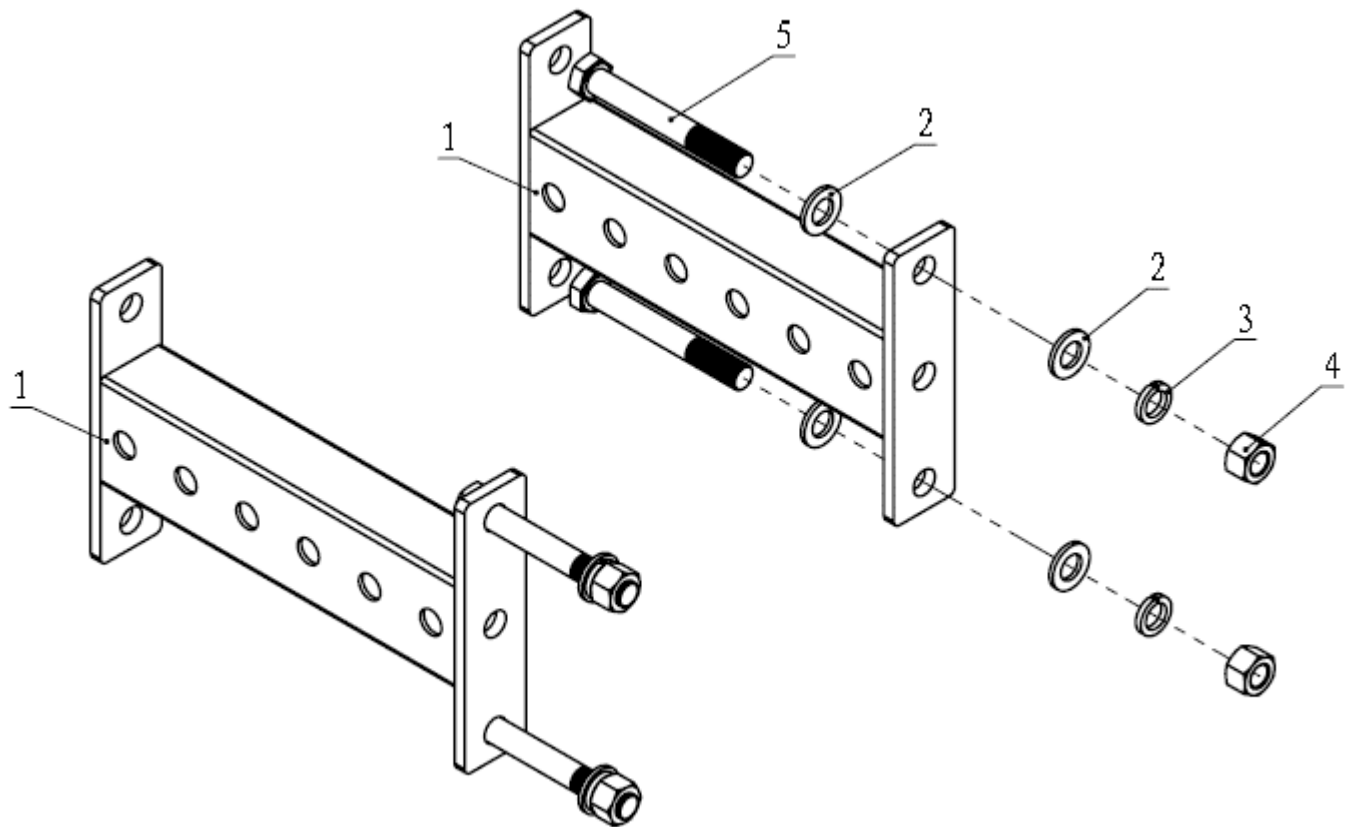


**STEP 3**

Install J-Hook (4 & 5) on the Upright Frame (15).



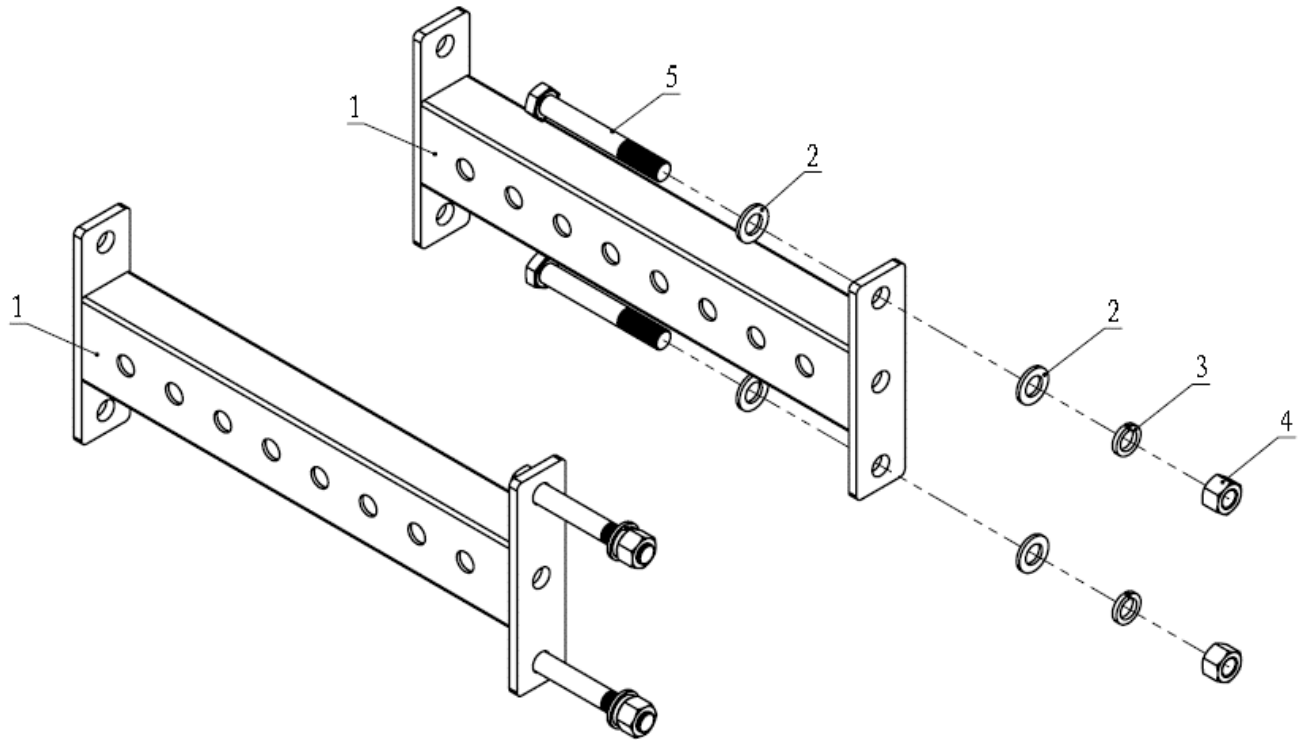
**T3SSRSB12 PARTS DIAGRAM / EXPLODED VIEW**



KEY	BOX	DESCRIPTION	QTY
(1)	1	Connecting Frame	2
(2)	1	Flat Washer $\Phi 17 * \Phi 30 * 3$	8
(3)	1	Spring Washer $\Phi 16$	4
(4)	1	M16 Nut	4
(5)	1	Hex Bolt M16*120	4

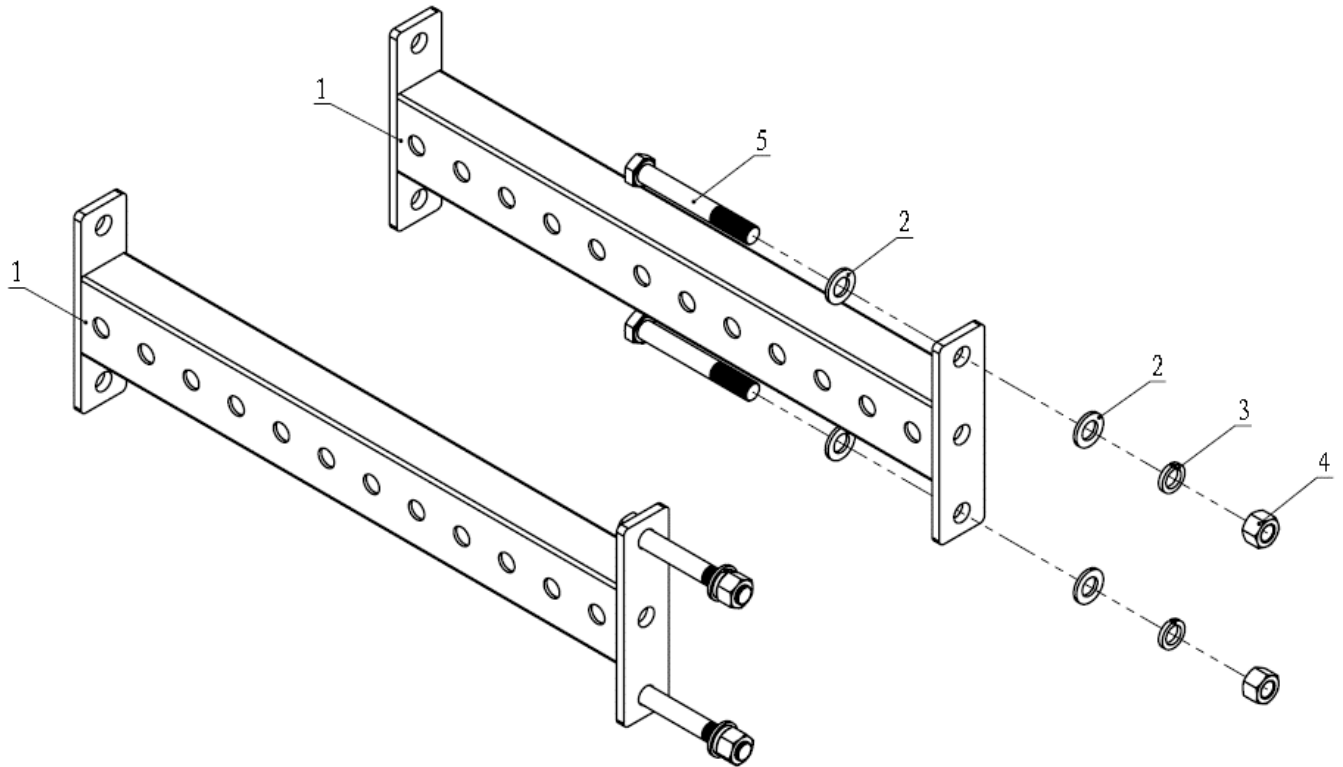


**T3SSRSB18 PARTS DIAGRAM / EXPLODED VIEW**



KEY	BOX	DESCRIPTION	QTY
(1)	1	Connecting Frame	2
(2)	1	Flat Washer $\Phi 17*\Phi 30*3$	8
(3)	1	Spring Washer $\Phi 16$	4
(4)	1	M16 Nut	4
(5)	1	Hex Bolt M16*120	4

**T3SSRSB24 PARTS DIAGRAM / EXPLODED VIEW**



KEY	BOX	DESCRIPTION	QTY
(1)	1	Connecting Frame	2
(2)	1	Flat Washer $\Phi 17 * \Phi 30 * 3$	8
(3)	1	Spring Washer $\Phi 16$	4
(4)	1	M16 Nut	4
(5)	1	Hex Bolt M16*120	4

## ACKNOWLEDGEMENT OF RISK AND RELEASE OF LIABILITY

---

The use of any equipment, including this one, involves the potential risk of injury. Apart from any warranty claim that might be presented for a claimed defect in material or workmanship of the product, you accept and assume full responsibility for any and all injuries, damages (both economic and non-economic), and losses of any type, which may occur, and you fully and forever release and discharge Titan, its insurers, employees, officers, directors, associates, and agents from any and all claims, demands, damages, rights of action, or causes of action, present or future, whether the same be known or unknown, anticipated, or unanticipated, resulting from or arising out of the use of said equipment.

This equipment must be used with care by capable and competent individuals under supervision,

## WARNING

---



Heavy object. Use lifting aids and proper lifting techniques when moving.



Choking hazard. Small parts – Please exercise caution if small children or pets are present.



Sharp objects may be involved. Use precaution and protection.

## TITAN LIMITED WARRANTY: TERMS, EXCLUSIONS AND LIMITATIONS OF REMEDIES

---

This product comes with a one (1) year limited warranty that can be found at [www.titan.fitness/warranty.html](http://www.titan.fitness/warranty.html) Please review the same for all details regarding the Titan Limited Warranty.

**THE TITAN LIMITED WARRANTY FOUND AT [WWW.TITAN.FITNESS/WARRANTY](http://WWW.TITAN.FITNESS/WARRANTY) IS EXCLUSIVE AND IS IN LIEU OF ALL OTHER WARRANTIES, EXPRESS OR IMPLIED, INCLUDING ANY IMPLIED WARRANTY OF MERCHANTABILITY AND/OR FITNESS FOR A PARTICULAR PURPOSE, EACH OF WHICH IS HEREBY DISCLAIMED.**



**NEED HELP? CONTACT US FIRST.**

**1-888-410-1503**

[info@titan.fitness](mailto:info@titan.fitness)

[www.titan.fitness](http://www.titan.fitness)

© 2024 Titan Brands