

PORTABLE PLATE AND BARBELL STORAGE TREE

PBTREEv4b
401919

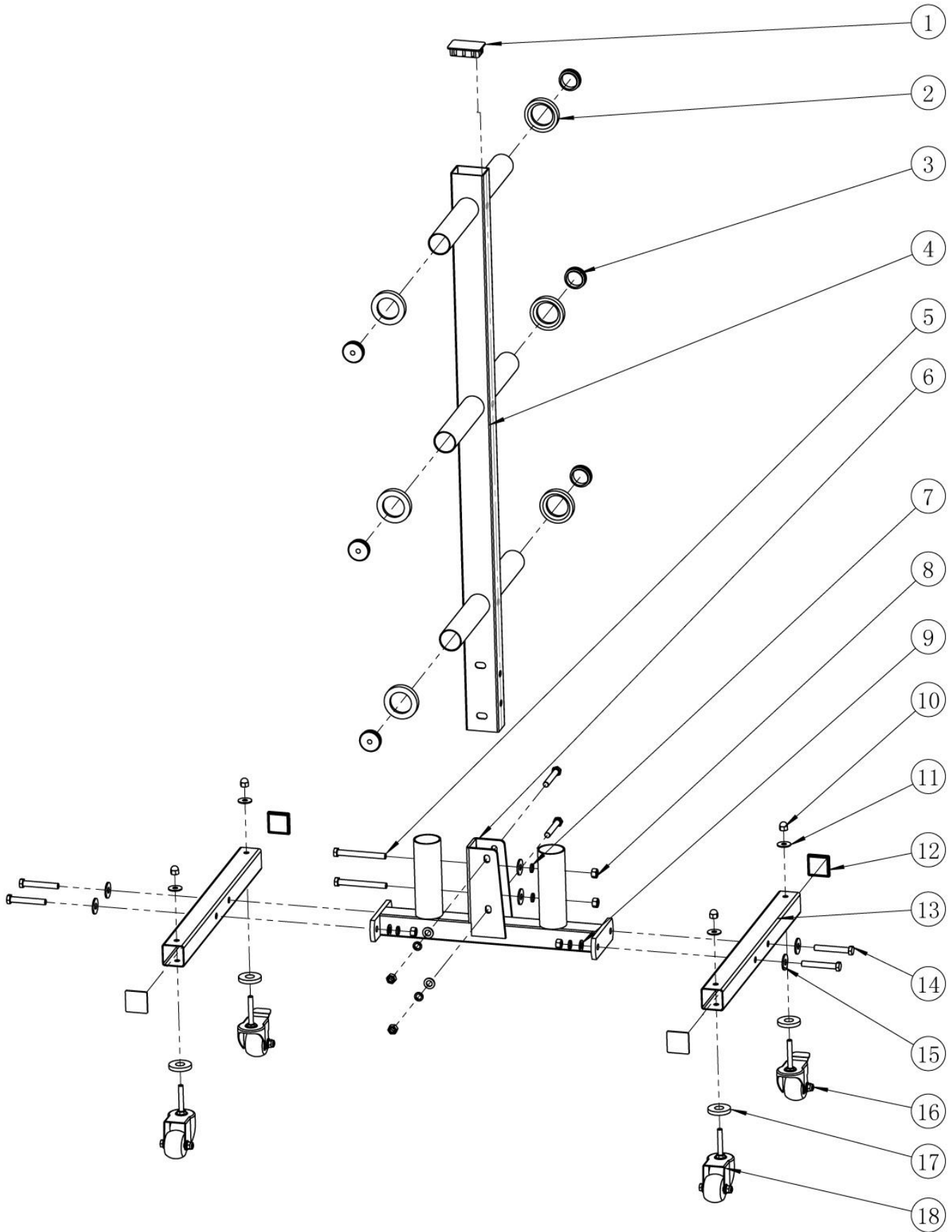


Operator's Manual



Read the Operator's Manual entirely. When you see this symbol, the subsequent instructions and warnings are serious follow without exception. Your life and the lives of others depend on it!

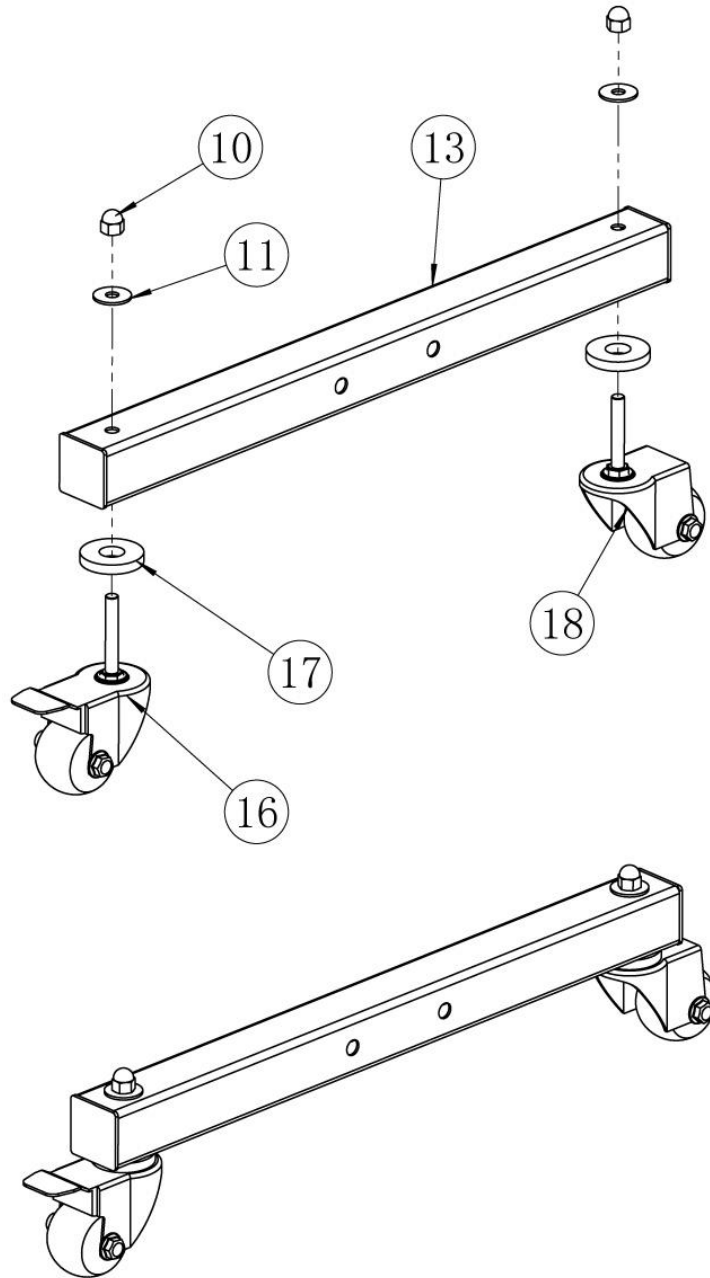
PARTS DIAGRAM / EXPLODED VIEW



KEY	DESCRIPTION	QTY
(1)	UPRIGHT POST END CAP	1
(2)	WEIGHT TUBE PLASTIC LINING	6
(3)	WEIGHT TUBE END CAP (48)	6
(4)	UPRIGHT POST	1
(5)	HEX BOLT M12X105	2
(6)	UPRIGHT POST BASE BRACKET	1
(7)	SPRING WASHER M12	8
(8)	HEX NUT M12	8
(9)	FLAT WASHER M12	8
(10)	CAP NUT M10	4
(11)	BIG SIM WASHER M10	4
(12)	BASE TUBE END CAP	4
(13)	BASE TUBE	2
(14)	HEX BOLT M12X80	6
(15)	BIG SHIM WASHER 12X3	6
(16)	2.5" SWIVEL CASTOR WHEEL W/LOCK	2
(17)	WHEEL SHIM WASHER	4
(18)	2.5" SWIVEL CASTOR WHEEL	1

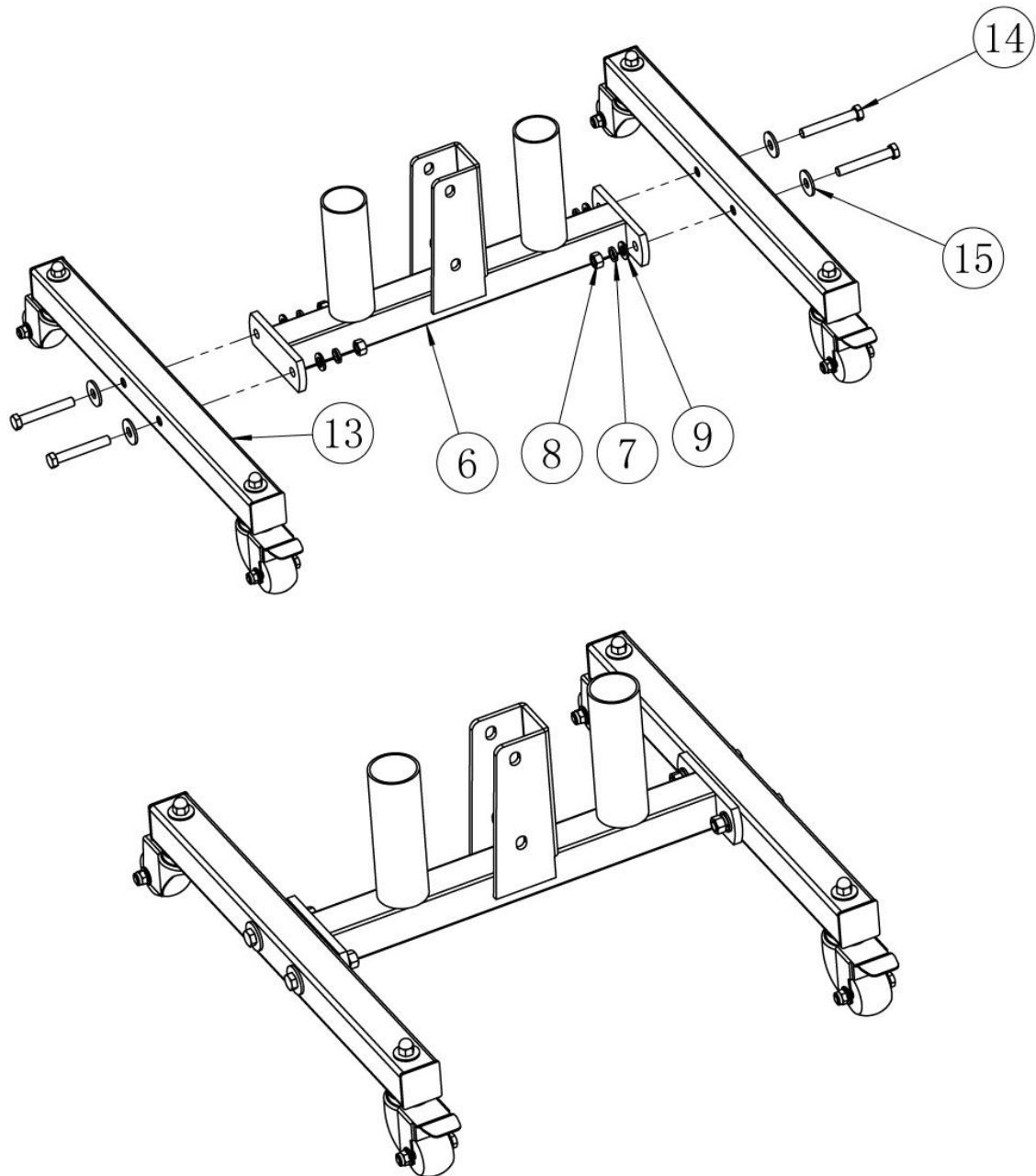
ASSEMBLY INSTRUCTIONS

STEP 1 – INSTALL CASTER WHEELS.



- Insert bolt stem of caster wheel (2.5" Swivel Castor Wheel w/Lock (16) and/or 2.5" Swivel Castor Wheel (18)) through Wheel Shim Washer (17), Base Tube (13), Big Sim Washer M10 (11) and then fasten them together with Cap Nut M10 (10) and tighten.
- Do this for both Base Tube (13).

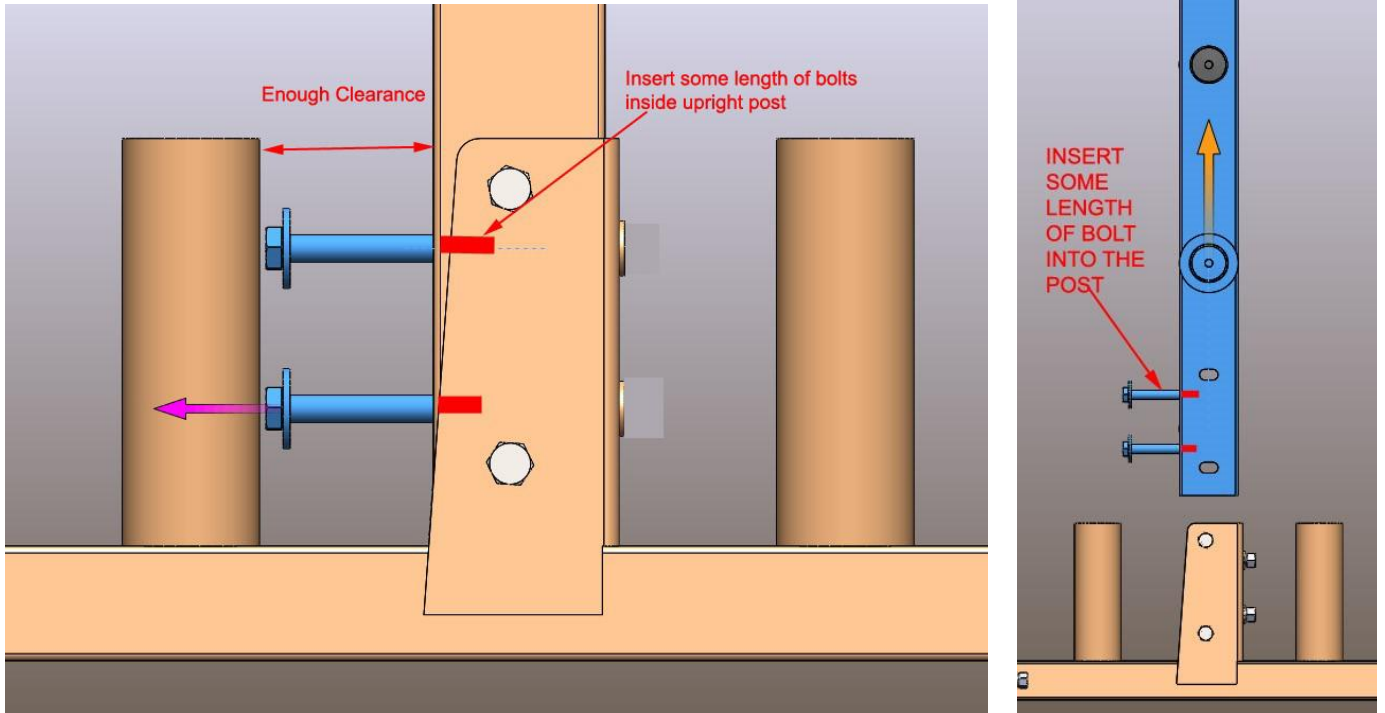
STEP 2 – SETTING UP THE BASE.



- Attach Upright Post Base Bracket (6) onto Base Tube (13) at both sides using Bolt M12x80 (14), Big Shim Washer 12x3 (15), Flat Washer M12 (9), Spring Washer M12 (7) and then fasten them together with ex Nut M12 (8).
- Tighten all hardware.

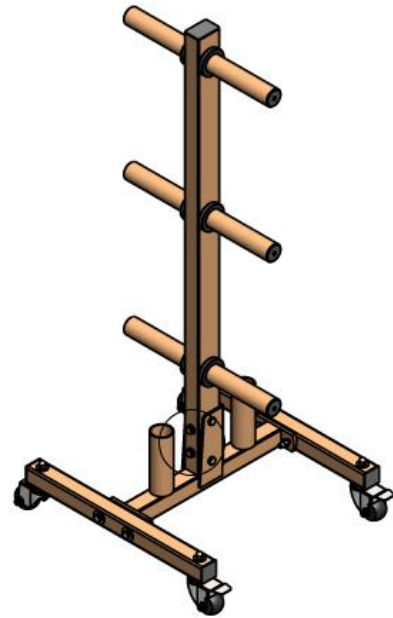
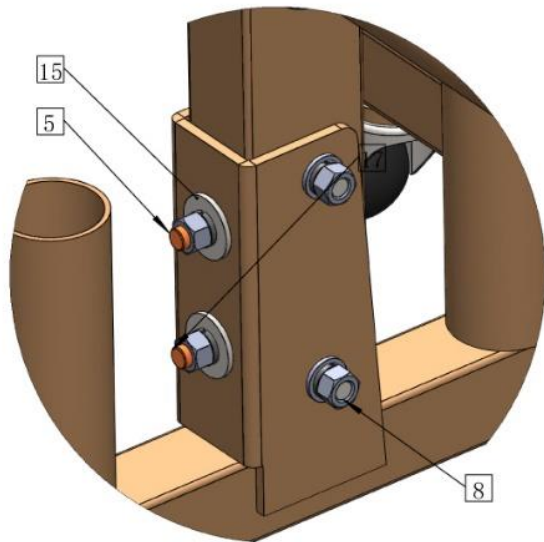
STEP 3 – PUTTING ON UPRIGHT POST.

Special attention:



- Hex Bolt M12x110 (5) is a bit longer than the clearance between the Barbell tube and Upright Post Base Bracket (6).
- It is necessary to insert Hex Bolt M12x110 (5) into the Upright Post (4) for some length to create enough clearance for the Upright Post (4) to put onto Upright Post Base Bracket (6).

INSTALLATION



- Insert Hex Bolt M12x110 (5) through Upright Post Base Bracket (6) with Upright Post (4) and Big Shim Washer 12x3 (15) on the other side and then fasten with Hex Nut M12 (8).
- Align holes of Upright Post Base Bracket (6) with Upright Post (4) and attach them together using Hex Bolt M12x80 (14), Flat Washer M12 (9), Spring Washer M12 (7) and then fasten them together with Hex Nut M12 (8).
- Tighten all hardware.

ACKNOWLEDGEMENT OF RISK AND RELEASE OF LIABILITY

The use of any equipment, including this one, involves the potential risk of injury. Apart from any warranty claim that might be presented for a claimed defect in material or workmanship of the product, you accept and assume full responsibility for any and all injuries, damages (both economic and non-economic), and losses of any type, which may occur, and you fully and forever release and discharge Titan, its insurers, employees, officers, directors, associates, and agents from any and all claims, demands, damages, rights of action, or causes of action, present or future, whether the same be known or unknown, anticipated, or unanticipated, resulting from or arising out of the use of said equipment.

This equipment must be used with care by capable and competent individuals under supervision,

WARNING



Heavy object. Use lifting aids and proper lifting techniques when moving.



Choking hazard. Small parts – Please exercise caution if small children or pets are present.



Sharp objects may be involved. Use precaution and protection.

TITAN LIMITED WARRANTY: TERMS, EXCLUSIONS AND LIMITATIONS OF REMEDIES

This product comes with a one (1) year limited warranty that can be found at www.titan.fitness/warranty.html Please review the same for all details regarding the Titan Limited Warranty.

THE TITAN LIMITED WARRANTY FOUND AT WWW.TITAN.FITNESS/WARRANTY IS EXCLUSIVE AND IS IN LIEU OF ALL OTHER WARRANTIES, EXPRESS OR IMPLIED, INCLUDING ANY IMPLIED WARRANTY OF MERCHANTABILITY AND/OR FITNESS FOR A PARTICULAR PURPOSE, EACH OF WHICH IS HEREBY DISCLAIMED.



NEED HELP? CONTACT US FIRST.

1-888-410-1503

info@titan.fitness

www.titan.fitness

© 2024 Titan Brands