

MANURE SPREADER

MNRSPRDRv2

191396



Operator's Manual



Read the Operator's Manual entirely. When you see this symbol, the subsequent instructions and warnings are serious follow without exception. Your life and the lives of others depend on it!

GENERAL WARNINGS

READ and UNDERSTAND this manual completely before using the Manure Spreader.

Operators must read and understand all safety and warning information, operating instructions, maintenance, and storage instructions before operating this equipment. Failure to properly operate and maintain the manure spreader could result in serious injury to the operator or bystanders.

OPERATION WARNINGS

- Never carry passengers.
- Do not sit or stand on the manure spreader.
- Do not allow children to play on, stand upon or climb on the manure spreader.
- Always inspect the manure spreader before use for missing or loose hardware.
- Replace or repair damaged or worn parts immediately.
- Always check and tighten hardware and assembled parts before operation.
- Avoid large holes and ditches when transporting loads. λ Be careful when operating on steep grades (hills) as the manure spreader may tip over.
- Do not pull close to creeks, ditches, or public highways.
- Do not use the manure spreader in windy conditions.
- Always use caution when loading and unloading the manure spreader.
- Only tow the manure spreader using a lawn tractor, ATV or golf cart at a speed of no greater than 5 mph for spreading. Crush and Cut Hazards
- Always keep hands and feet clear from moving parts while operating the manure spreader.
- Always keep the work area clean and clear of debris.
- Always wear safety gear, eye protection, gloves and work boots while operating the manure spreader.

CRUSH AND CUT HAZARDS

- Always keep hands and feet clear from moving parts while operating the manure spreader.
- Always keep the work area clean and clear of debris.
- Always wear safety gear, eye protection, gloves and work boots while operating the manure spreader

⚠ WARNING

The warning, cautions, and instructions outlined in the instruction manual cannot cover all possible conditions or situation that may occur. It must be understood by the operator that common sense and caution are factors which cannot be built into this product and must be supplied by the operator


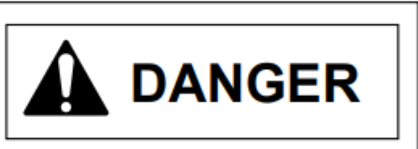



PROP 65 WARNING

This product can expose you to chemicals including lead and lead compounds which are known to the State of California to cause cancer and birth defect or other reproductive harm. For more information go to www.P65Warnings.ca.gov

ASSEMBLY IS REQUIRED

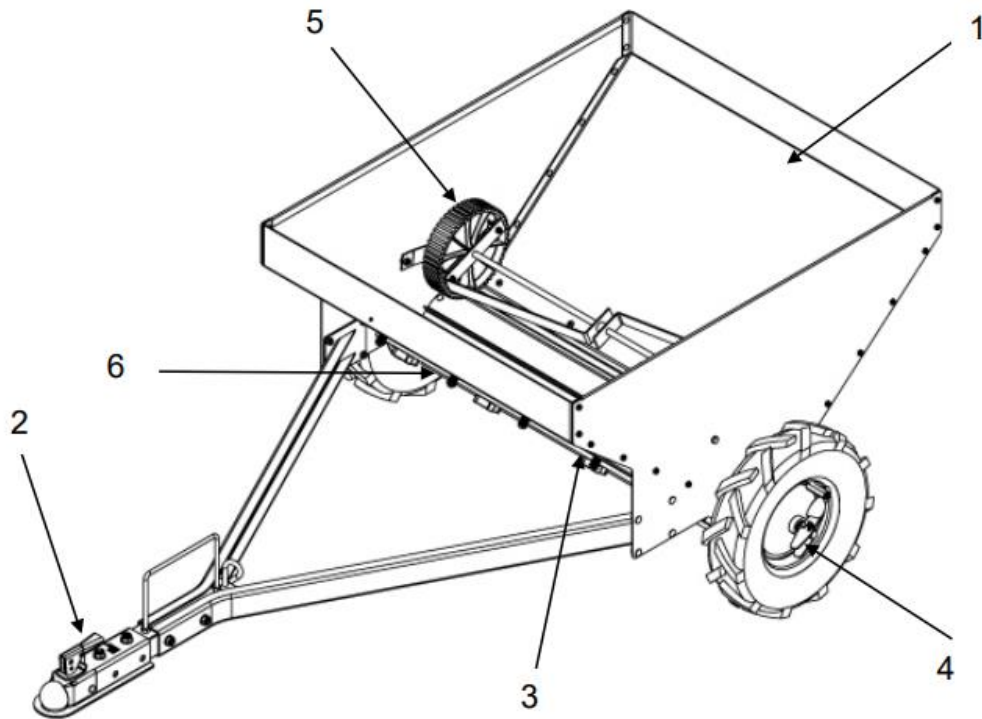
This product requires assembly before use. See "Assembly" section for instructions. **INSPECT ALL COMPONENTS** closely upon receipt to make sure no components are missing or damaged.

HAZARD SIGNAL WORD DEFINITIONS

	This is the SAFETY ALERT SYMBOL . It is used to alert you to potential personal injury hazards, obey all safety messages that follow this symbol to avoid possible injury.
	DANGER indicates an imminently hazardous situation which, if not avoided, will result tin death or serious injury.
	WARNING indicated. A potentially hazardous situation which, if not avoided, could result in death or serious injury.
	CAUTION indicated a potentially hazardous situation which, if not avoided, may result in minor moderate injury.
	CAUTION used without the safety alert symbol indicated a potentially hazardous situation which, if not avoided, may result in minor moderate injury.

CONTROLS AND FEATURES IDENTIFICATION

Read this owner's manual before operating the equipment. Familiarize yourself with the location and function of all the controls and features. Please save this manual for future reference.



1. Hopper
2. 2" Coupler
3. Spreading Drum
4. Spreading Engagement Lever
5. Agitator
6. Relief Panel

⚠ CAUTION

Read and follow all instruction for assembly and operation. Failure to properly assemble this equipment could result in serious injury to the user or bystanders and/or cause equipment damage.

ASSEMBLY INSTRUCTIONS

MANURE SPREADER COMPONENT PARTS AND ASSEMBLY

Before beginning to assemble the manure spreader, take all parts out of the shipping crate and

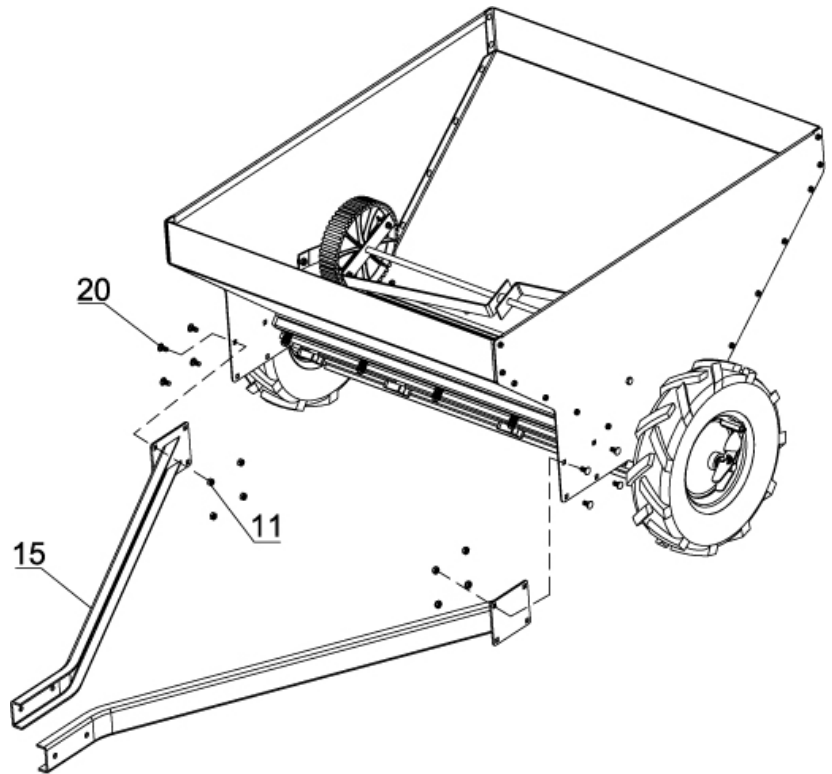
inspect components to ensure there are no missing pieces. Carefully follow assembly steps 1 through 2.

TOOLS REQUIRED

- 13mm Wrenches
- 17mm Wrenches (2 each)

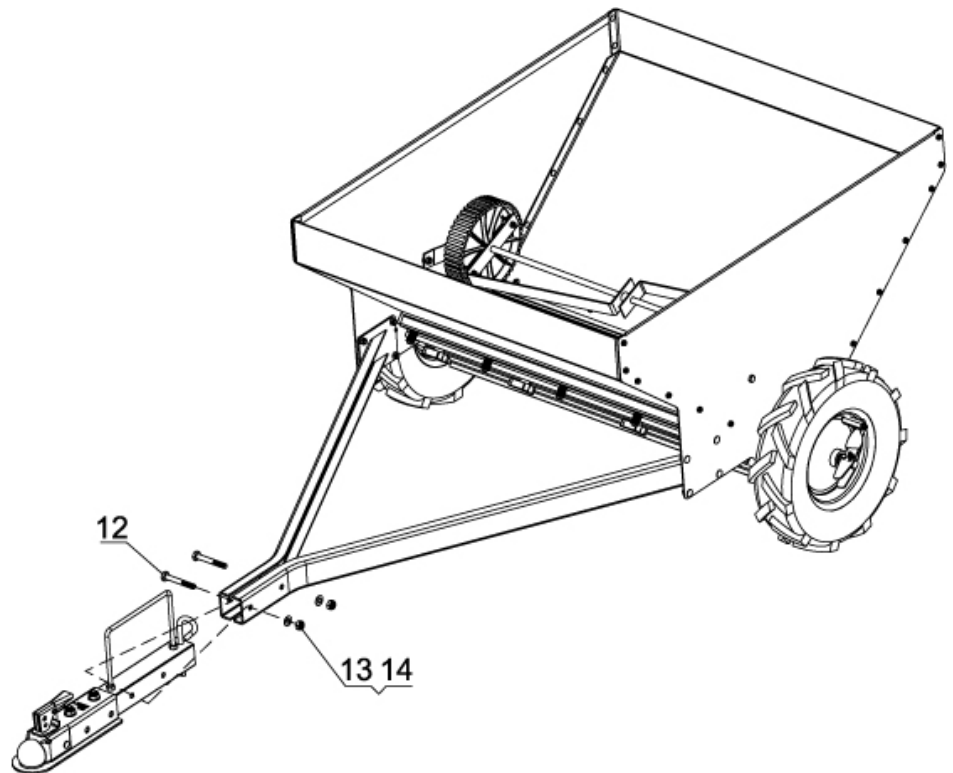
STEP 1: ATTACH TOW BAR

Attach tow bar (#15) to the side plate using M8x16 carriage bolt (#20) and M8 nylon lock nut (#11).



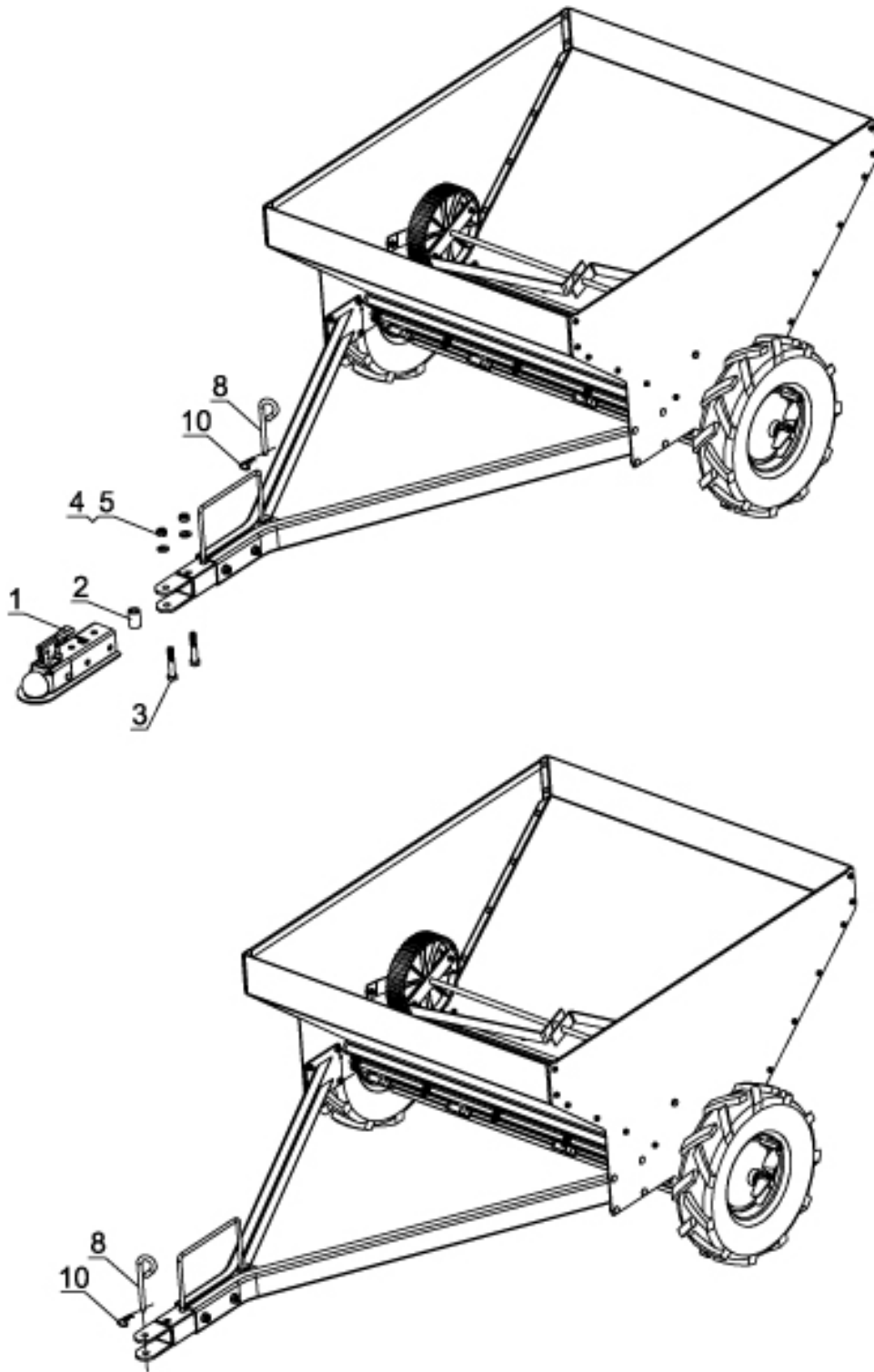
STEP 2: ATTACH COUPLER ASSEMBLY

Attach coupler assembly to the tow bar using M10x75 Hex Bolt (#12), Ø10 flat washer (#13) and M10 nylon lock nut (#14).



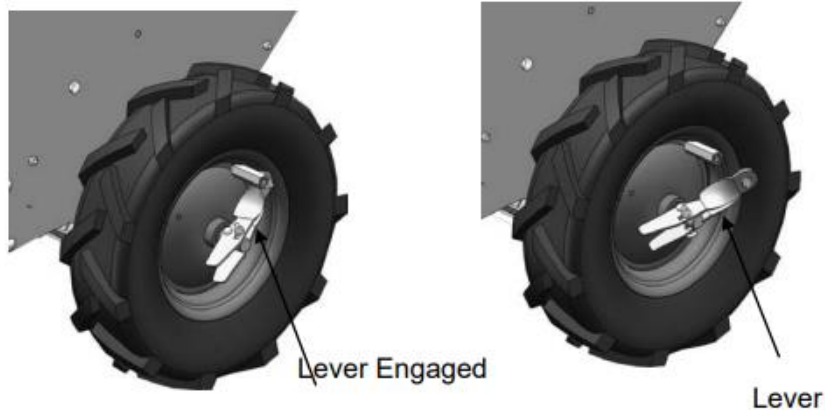
STEP 3: ALTERNATIVE CONNECTION FOR THE TOW BAR.

Unscrew the M12x70 hex bolt (#3), Ø12 flat washer (#4) and M12 nylon lock nut (#5), then remove coupler (#1) and bushing (#2). Pull out the hitch pin (#8) and the R pin (#10) and insert them into the front hole.

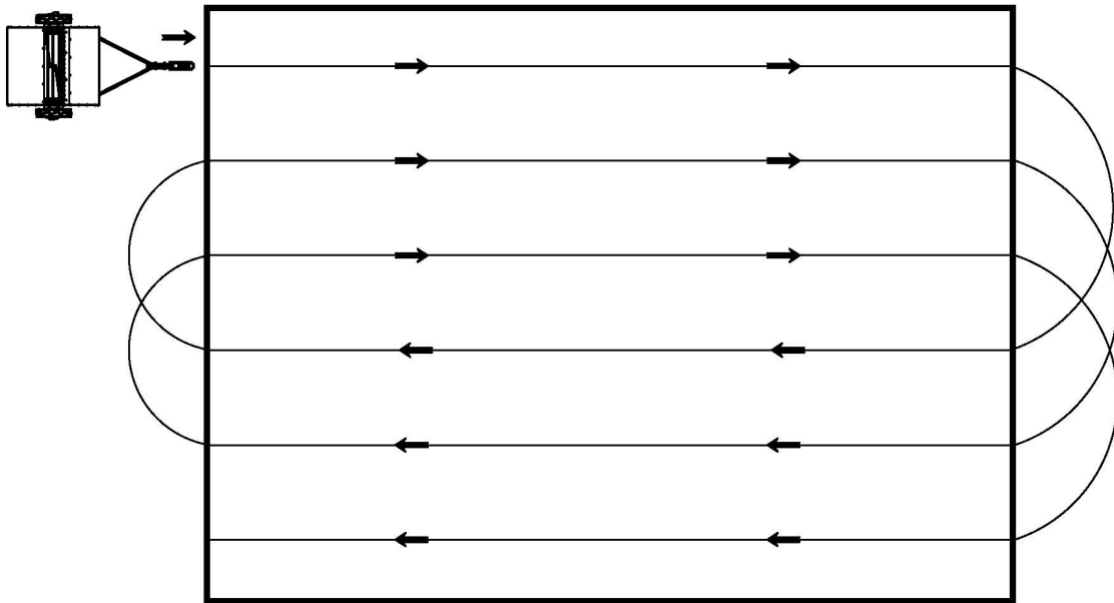


OPERATING INSTRUCTIONS

1. Attach the manure spreader to the vehicle using either the 2" ball coupler or the clevis hitch.
2. Rotate the agitator so that the rubber wheels are resting on the manure spreader drum.
3. Fill the manure spreader with manure.
4. Drive the manure spreader to the desired spreading location.
5. Flip the spreading engagement lever to engage the spreading drum on either both wheels or one wheel.



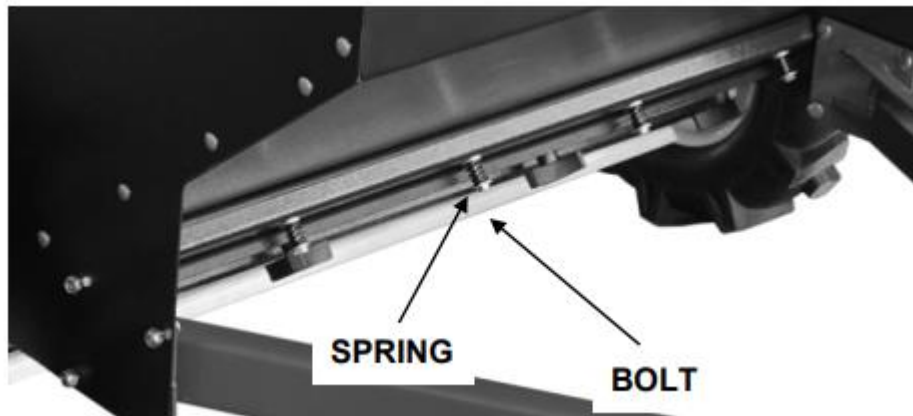
- Engage only one wheel when making many turns while spreading. Engage the wheel opposite of the way you will be turning. For example, if you are turning left, engage the right wheel.
 - Engage both wheels for heavy loads of manure and straight-line spreading.
6. Follow the below spreading pattern to make wider turns.



7. Spread the manure while maintaining safe driving speeds.

ADJUSTING THE MANURE SPREADER DISCHARGE RATE AND PATTERN.

- The spreader discharges manure from between the drum and discharge plate. The spring force of the discharge plate against the drum breaks up the manure as the spreader discharges the manure.
- Using the adjustment plate to change the size of the holes in the discharge plate allows for further adjustment of the manure spread pattern and ability to control the discharge rate.
- Loosening or tightening the bolts enclosed by the small compression springs on the discharge plate adjusts the manure spreader discharge rate.
 - Tightening the bolts compresses the springs making it more difficult for manure to pass between the drum and discharge plate. Tighten the bolts to break up the manure into fine pieces before being discharged.
 - Overtightening the bolts may result in no manure being able to discharge.
 - Suggestion: Tighten the compression springs bolts as far as possible while still allowing manure to pass, then change the discharge opening by adjusting the discharge adjustment plate.
 - Loosen the bolts to allow larger pieces of manure to discharge from the spreader.



The manure spreader has an adjustment plate which changes the discharge hole sizes in the discharge plate. Adjust the size of the discharge holes by loosening the threaded knobs on the adjustment plate and sliding the plate to the desired opening.

MAINTENANCE AND STORAGE

WARNING

Improper maintenance and storage of the manure spreader may void the warranty.

MAINTENANCE

- After each use, carefully clean material out of the hopper.
- Rinse and dry the inside and outside of the manure spreader after each use.
- Prior to each use, inspect and verify that all hardware is tight.
- Before initial use, add grease to the two grease zerks on each side of the wheels.
- Check and periodically add grease to the wheels.

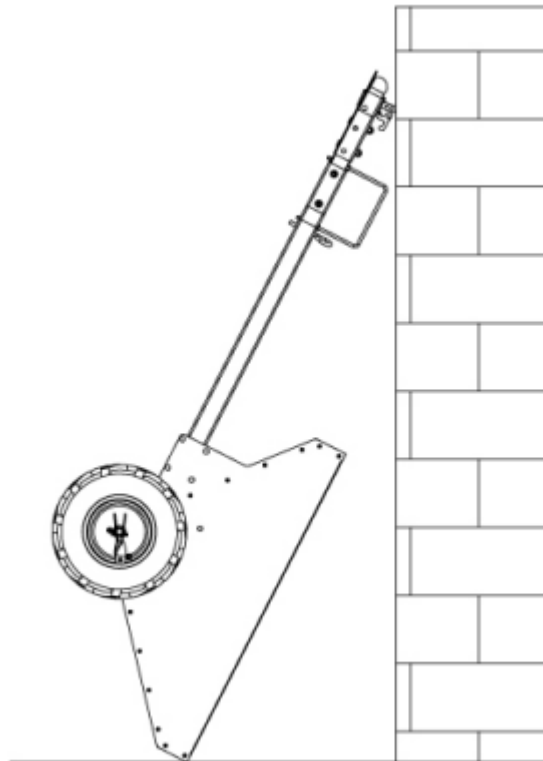
- After every use, spray out the hopper and the spreading drum. Cleaning the spreader will keep debris and manure from clogging the spreading drum and damaging the spreader.
- Check the rubber guard after every use and replace as needed.

IMPORTANT:

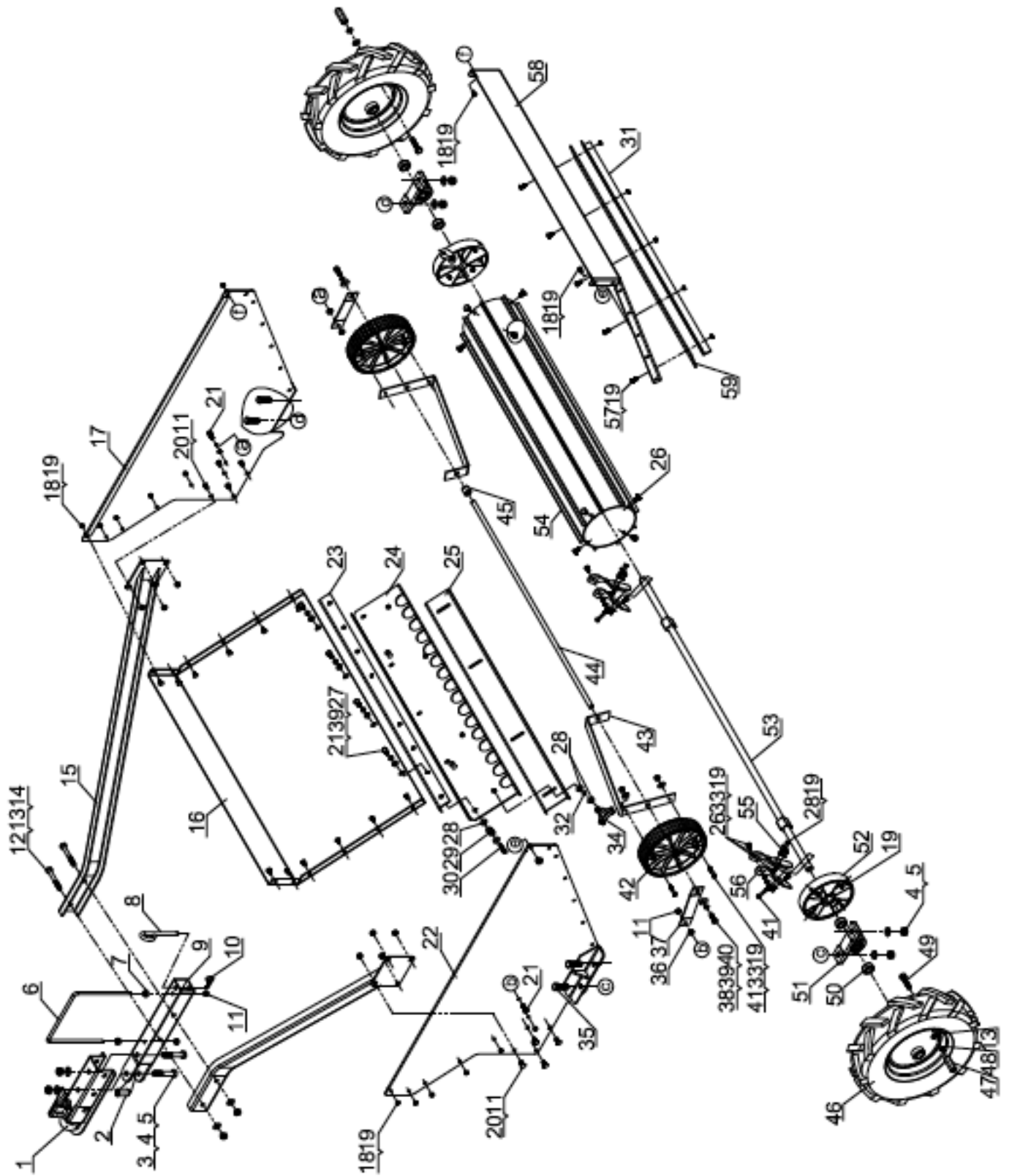
When replacing parts be sure to only use parts that meet the manufacturer’s specifications. Replacement parts that do not meet the manufacturer’s specifications may result in safety hazards and/ or poor machine operation and may void the warranty.

STORAGE

- Never allow material to remain in the hopper for extended periods of time.
- Before storing, make sure the manure spreader is clean and dry.
- Store indoors or in a protected area during any severe weather and during winter months.
- Store the unit upright to allow any water to drain.



PARTS DRAWING AND PARTS LIST



REF#	DRAWING NO.	DESCRIPTION	QTY
1	Z103	2IN COUPLER	1
2	DCP1203-00001	BUSHING	1
3	9101-12070-DX8.8	M12X70 HEX BOLT	2
4	9301-12000-DX	Ø12 FLAT WASHER	6
5	9206-12000-DX	M12 NYLON LOCK NUT	6
6	TS0900-00012	HANDLE	1
7	9201-08000-DX	M8 NUT	2
8	N870-00011-DX	HITCH PIN	1
9	TS0900-04000	COUPLER ASSEMBLY	1
10	LSP25-00005-DX	R PIN	1
11	9206-08000-DX	M8 NYLON LOCK NUT	14
12	9101-10075-DX8.8	M10X75 HEX BOLT	2
13	9301-10000-DX	Ø10 FLAT WASHER	4
14	9206-10000-DX	M10 NYLON LOCK NUT	2
15	TS0900-03000	TOW BAR	2
16	TS0900-00001	REAR PLATE	1
17	TS0900-01000	RIGHT SIDE PLATE	1
18	9114-06012-DX	M6X12 CARRIAGE BOLT	26
19	9206-06000-DX	M6 NYLON LOCK NUT	47
20	9114-08016-DX	M8X16 CARRIAGE BOLT	8
21	9101-08020-DX8.8	M8X20 HEX BOLT	6
22	TS0900-02000	LEFT SIDE PLATE	1
23	TS0900-07000	SUPPORT PLATE	1
24	TS0900-06000	DISCHARGE PLATE	1
25	TS0900-00004	ADJUSTMENT PLATE	1
26	9114-06016-DX	M6X16 CARRIAGE BOLT	12
27	9301-08000-DX	Ø8 FLAT WASHER	6
28	9302-06000-DX	Ø6 LARGE FLAT WASHER	18
29	TS0900-00018-DX	SPRING	5
30	9101-06040-DX8.8	M6X40 HEX BOLT	5
31	TS0900-00013	PRESSING PLATE	1
32	9306-06000-DX	Ø6 LOCK WASHER	4
33	9301-06000-DX	Ø6 FLAT WASHER	10

34	NS2600-00015	THREADED KNOB	4
35	9101-12040-DX8.8	M12X40 HEX BOLT	4
36	TS0900-00014-DX	SLEEVE 5	2
37	TS0900-00007	FIXED PLATE	2
38	9199-08020-DX	M8X20 LARGE FLAT HEAD SCREW WITH CROSS GROOVE	2
39	9306-08000-DX	Ø8 LOCK WASHER	6
40	9302-08000-DX	Ø8 LARGE FLAT WASHER	2
41	9101-06055-DX8.8	M6X55 HEX BOLT	4
42	TS0900-00009	PADDLE WHEEL	2
43	TS0900-00006	SHIFTER FORK	2
44	TS0900-00008	STIRRING SHAFT	1
45	TS0900-00010	STIRRING SHAFT BUSHING	1
46	TS0900-00017	WHEEL	2
47	TS0900-00015-DX	LIMIT HEXAGON STEEL	2
48	9306-10000-DX	Ø10 LOCK WASHER	2
49	9101-10045-DX8.8	M10X45 HEX BOLT	2
50	TS0900-00020-DX	SLEEVE 14	4
51	UCP204	ROLLING BEARING	2
52	TS0900-00003	DRUM FIXING RING	2
53	TS0900-05000	AXLE ASSEMBLY	1
54	TS0900-00016	ALUMINUM ALLOY DRUM	1
55	TS0900-00019-DX	CLUTCH SPRING	2
56	TS0900-00005-DX	CLAMPING PIECE	4
57	9199-06016-DX	M6X16 LARGE FLAT HEAD SCREW WITH CROSS GROOVE	5
58	TS0900-00002	FRONT SIDE PLATE	1
59	TS0900-00011	DISCHARGE RUBBER PAD	1
60	9101-08060-DX12.9	M8X60 HEX BOLT	2
61	9114-06020-DX	M6X20 CARRIAGE BOLT	2

ACKNOWLEDGEMENT OF RISK AND RELEASE OF LIABILITY

The use of any equipment, including this one, involves the potential risk of injury. Apart from any warranty claim that might be presented for a claimed defect in material or workmanship of the product, you accept and assume full responsibility for any and all injuries, damages (both economic and non-economic), and losses of any type, which may occur, and you fully and forever release and discharge Titan, its insurers, employees, officers, directors, associates, and agents from any and all claims, demands, damages, rights of action, or causes of action, present or future, whether the same be known or unknown, anticipated, or unanticipated, resulting from or arising out of the use of said equipment.

This equipment must be used with care by capable and competent individuals under supervision, if necessary.

WARNING



Do not overfill! Mower should be level when checking oil in gear box.



some activities might be able to cause electric shock



Sharp objects may be involved.
Use protective cover during maintenance.

TITAN LIMITED WARRANTY: TERMS, EXCLUSIONS AND LIMITATIONS OF REMEDIES

This product comes with a one (1) year limited warranty that can be found at www.palletforks.com/warranty.html. Please review the same for all details regarding the Titan Limited Warranty.

THE TITAN LIMITED WARRANTY FOUND AT WWW.PALLETFORKS.COM/WARRANTY.HTML IS EXCLUSIVE AND IS IN LIEU OF ALL OTHER WARRANTIES, EXPRESS OR IMPLIED, INCLUDING ANY IMPLIED WARRANTY OF MERCHANTABILITY AND/OR FITNESS FOR A PARTICULAR PURPOSE, EACH OF WHICH IS HEREBY DISCLAIMED.



NEED HELP? CONTACT US FIRST.

1-800-605-7595

info@palletworks.com

www.palletforks.com

© 2024 Titan Brands