

3 POINT POTATO DIGGER

POTATODIGv2b

191421

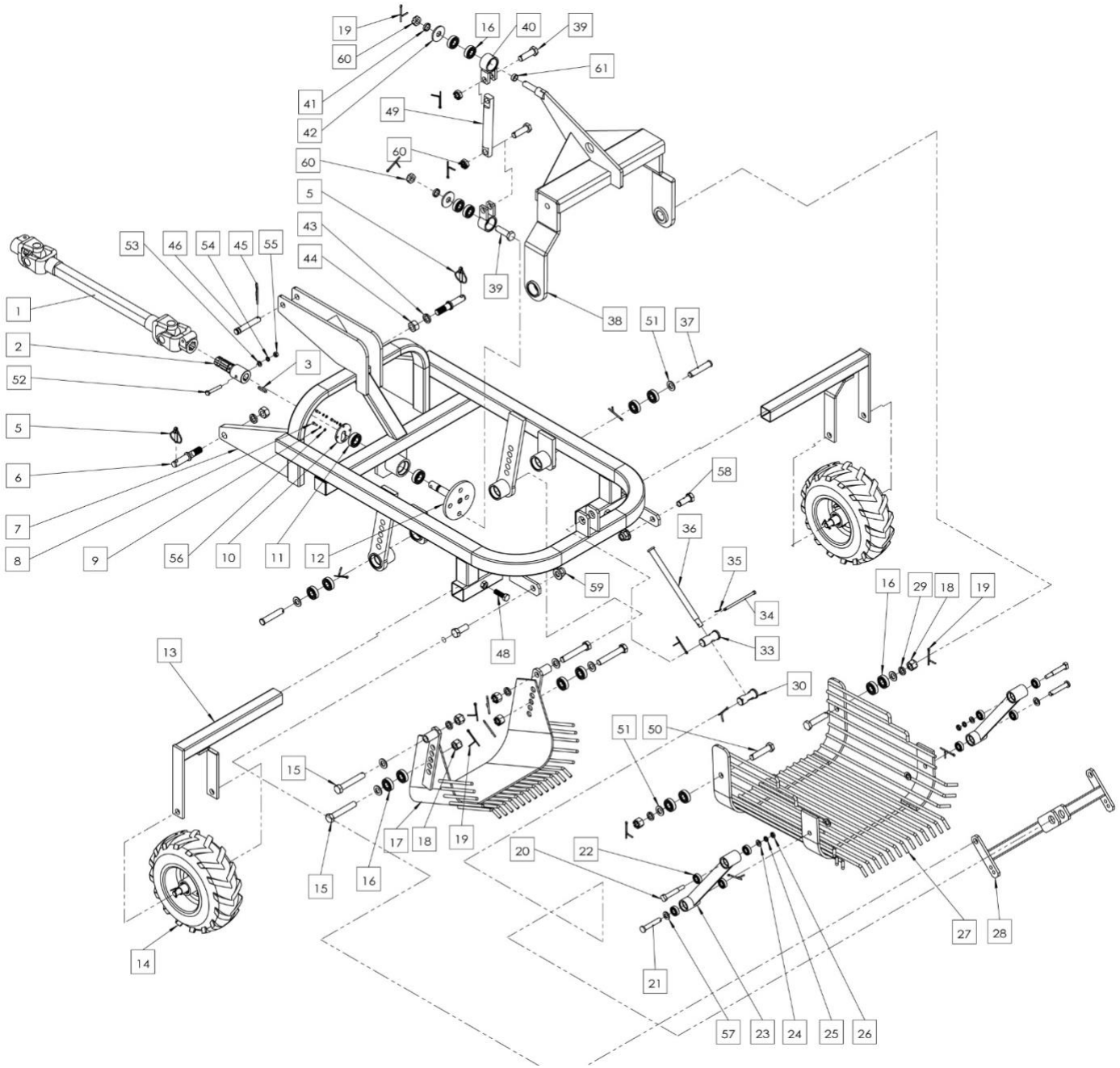


Operator's Manual



Read the Operator's Manual entirely. When you see this symbol, the subsequent instructions and warnings are serious follow without exception. Your life and the lives of others depend on it!

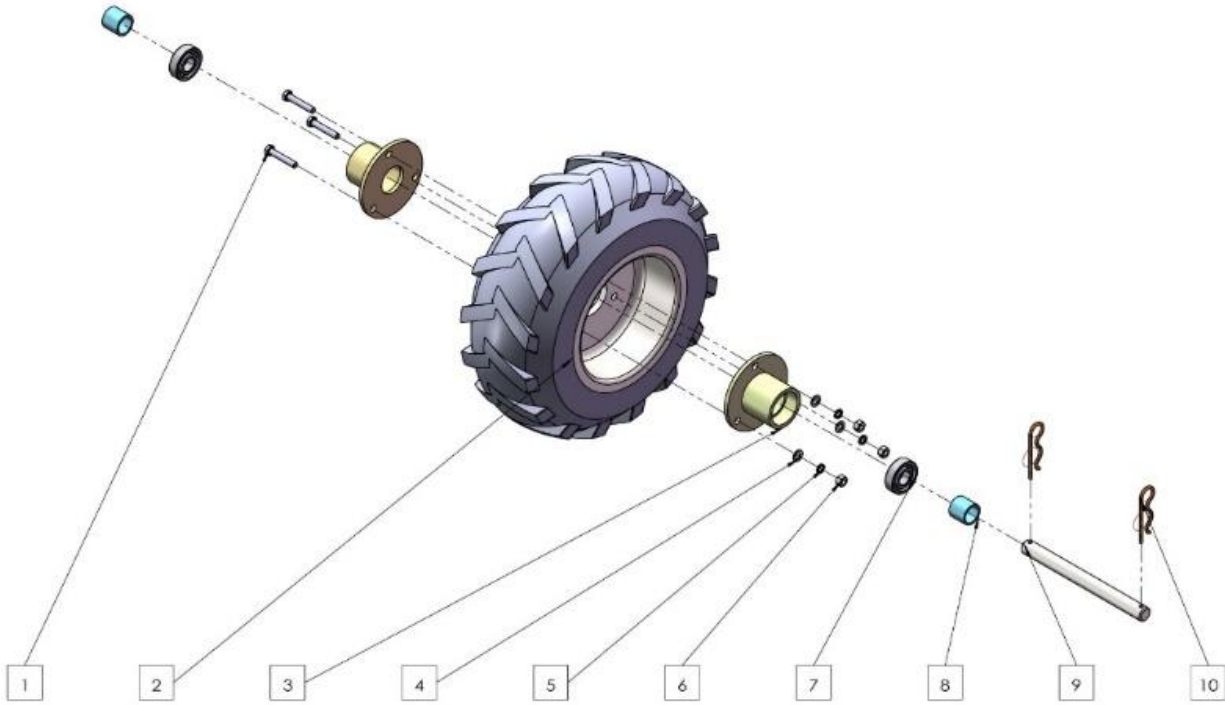
PARTS DIAGRAM / EXPLODED VIEW



KEY	PART NO./NOTE	DESCRIPTION	QTY
(1)		PT0 SHAFT	1
(2)		SPLINE CLAMP	1
(3)		FLAT KEY 8x7x32	1
(4)	PART FOR OLD VERSION	COUNTERSUNK HEXA STUD BOLT	0
(5)		LOCK PIN ϕ 9.5	2
(6)		CAT1 LOWER PIN	2
(7)		MAIN FRAME	1
(8)		COUNTERSUNK COLUMN HEAD HEXA BOLT M6X16	3
(9)		SPRING WASHER M6	3
(10)	UPGRADE/POTATODIG-23	CLAMP DISC	1
(11)		BALL BERING 6205	2
(12)	UPGRADE/POTATODIG-2A	OFFSET DISC	1
(13)	POTATODIG-7	WHEEL/TIRE FRAME	2
(14)	POTATODIG-22	WHEEL/TIRE ASSY	2
(15)		HEXA BOLT M20x120	4
(16)		BALL BERING 6204	16
(17)	UPGRADE/POTATODIGv3-5	DIGGER BUCKET	1
(18)		SLOTTED NUT M20	6
(19)		COTTER PIN 5x63	16
(20)	POTATODIG-6	SIFT BASKET HINGED ARM PIN-1	2
(21)	POTATODIG-16	SIFT BASKET HINGED ARM PIN-2	2
(22)		BALL BERING 6202	8
(23)	POTATODIG-10	SIFT BASKET HINGED ARM	2
(24)		FLAT WASHER M12	2
(25)		SPRING WASHER M12	2
(26)		HEXA THIN NUT M12	2
(27)	UPGRADE/POTATODIGv3-9	SIFT BASKET	1
(28)	POTATODIG-8	REAR PIVOT FRAME	1
(29)		SPRING WASHER M20	4
(30)	POTATODIG-13	REAR PIVOT LIFT FRAME PIN	1
(31)	PART FOR OLD VERSION	HEXA NUT M20	0

KEY	PART NO./NOTE	DESCRIPTION	QTY
(32)	PART FOR OLD VERSION/ POTATODIG-27	BUSHING	0
(33)	POTATODIG-11	HEIGHT ADJUSTMENT BOLT SHAFT	1
(34)	POTATODIG-14	HANDLE TURN SHAFT	1
(35)		COTTER PIN 3.2x22	1
(36)	POTATODIG-12	HEIGHT ADJUSTMENT BOLT SHAFT	1
(37)		PIN A20x100	2
(38)	UPGRADE/POTATODIG-4A	FRONT PIVOT LIFT FRAME ASSY	1
(39)	POTATODIG-25A	BALL BEARING SEAT PIN	3
(40)	POTATODIG-3	BALL BEARING SEAT	2
(41)	POTATODIG-15	PIN BUSHING	2
(42)	POTATODIG-26	SHIM WASHER	2
(43)		SPRING WASHER M22	2
(44)		HEXA NUT M22	2
(45)		COTTER PIN 4x70	1
(46)		CAT1 UPPER PIN	1
(47)		PIN A20x35	2
(48)		HEXA BOLT M16x50	2
(49)	POTATODIG-21	FRONT PIVOT LIFT ARM	1
(50)	POTATODIG-29	SIFT PIVOT BOLT PIN	2
(51)		FLAT WASHER M20	8
(52)	ADD ON NEW PART	HEXA BOLT M10x65	1
(53)	ADD ON NEW PART	FLAT WASHER M10	1
(54)	ADD ON NEW PART	SPRING WASHER M10	1
(55)	ADD ON NEW PART	HEXA NUT M10	1
(56)	ADD ON NEW PART	FLAT WASHER M5	3
(57)	ADD ON NEW PART	FLAT WASHER M16	4
(58)	ADD ON NEW PART	HEXA BOLT M20x50	2
(59)	ADD ON NEW PART	HEXA LOCK NUT M20	2
(60)	ADD ON NEW PART	SLOTTED THIN NUT M20	4
(61)	ADD ON NEW PART/ POTATODIG-30A	PIVOT LIFT FRAME SHAFT BUSHING	1

WHEEL / TIRE PARTS DIAGRAM / EXPLODED VIEW



KEY	BOX	DESCRIPTION	QTY
(1)		Hexa Bolt M8x45	3
(2)		Tire/Wheel Assembly	1
(3)		Bearing Housing	2
(4)		Flat Washer M8	3
(5)		Spring Washer M8	3
(6)		Hexa Nut M8	3
(7)		Ball Bearing 6204	2
(8)		Shaft Bushing (POTATODIG-18)	1
(9)		Shaft (POTATODIG-19)	1
(10)		Cotter Pin 4x70	2

ASSEMBLY INSTRUCTIONS

– COMES FULLY ASSEMBLED

ACKNOWLEDGEMENT OF RISK AND RELEASE OF LIABILITY

The use of any equipment, including this one, involves the potential risk of injury. Apart from any warranty claim that might be presented for a claimed defect in material or workmanship of the product, you accept and assume full responsibility for any and all injuries, damages (both economic and non-economic), and losses of any type, which may occur, and you fully and forever release and discharge Titan, its insurers, employees, officers, directors, associates, and agents from any and all claims, demands, damages, rights of action, or causes of action, present or future, whether the same be known or unknown, anticipated, or unanticipated, resulting from or arising out of the use of said equipment.

This equipment must be used with care by capable and competent individuals under supervision, if necessary.

WARNING



Do not overfill! Mower should be level when checking oil in gear box.



some activities might be able to cause electric shock



Sharp objects may be involved.
Use protective cover during maintenance.

TITAN LIMITED WARRANTY: TERMS, EXCLUSIONS AND LIMITATIONS OF REMEDIES

This product comes with a one (1) year limited warranty that can be found at www.palletforks.com/warranty.html. Please review the same for all details regarding the Titan Limited Warranty.

THE TITAN LIMITED WARRANTY FOUND AT WWW.PALLETFORKS.COM/WARRANTY.HTML IS EXCLUSIVE AND IS IN LIEU OF ALL OTHER WARRANTIES, EXPRESS OR IMPLIED, INCLUDING ANY IMPLIED WARRANTY OF MERCHANTABILITY AND/OR FITNESS FOR A PARTICULAR PURPOSE, EACH OF WHICH IS HEREBY DISCLAIMED.



NEED HELP? CONTACT US FIRST.

1-800-605-7595

info@palletworks.com
www.palletforks.com

© 2024 Titan Brands