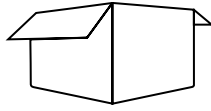




890087 - MPB-DUETREEU, 899884 - MPB, 899888 - DUETREEB-DUETREEU

## No-Weld Dueling Tree Optional AR500 Steel Paddle Targets

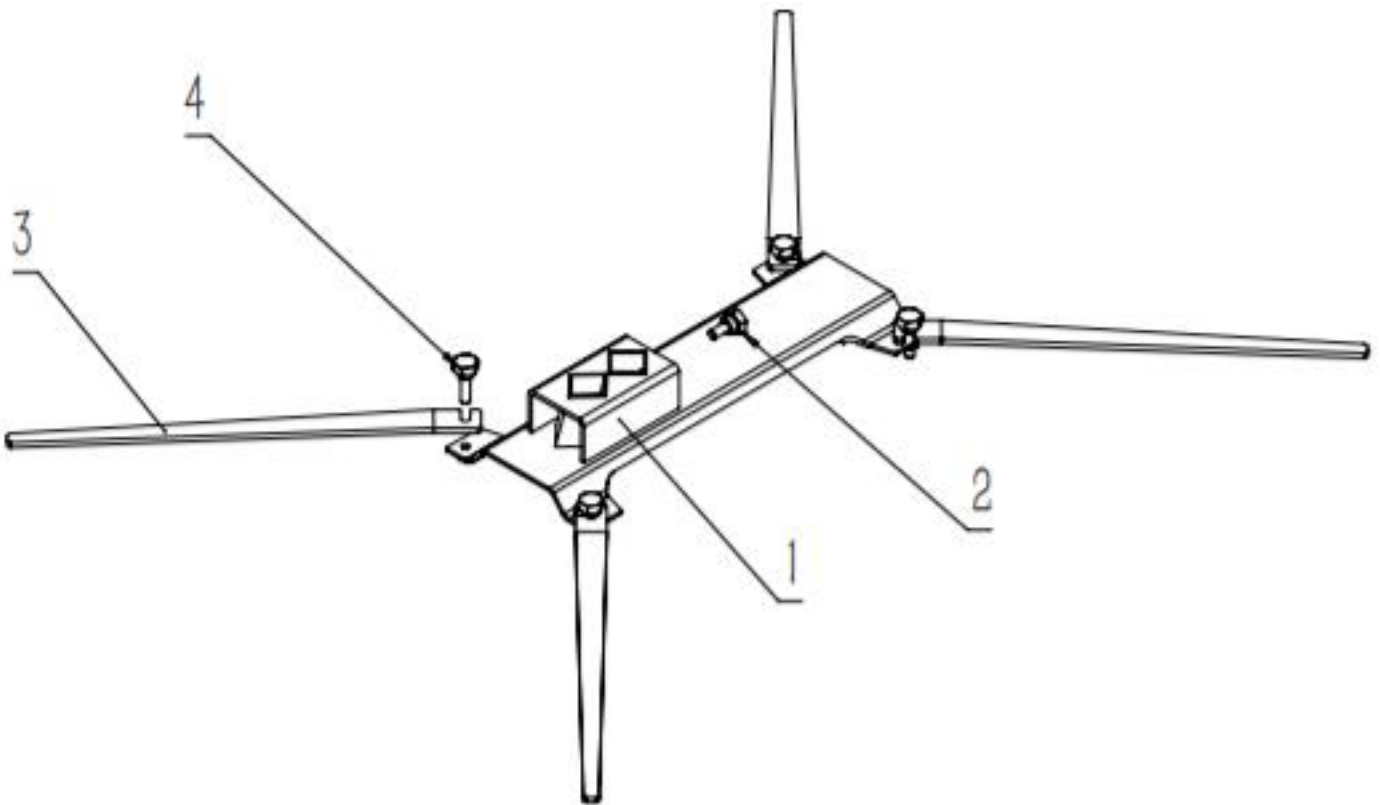


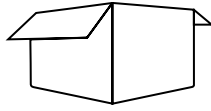


# UNBOXING

899884 - MPB

1. BOTTOM SUPPORT x1
2. M10x25 LOCKING BOLT x1
3. SUPPORTING LEG x4
4. M10x40 LOCKING BOLT x4

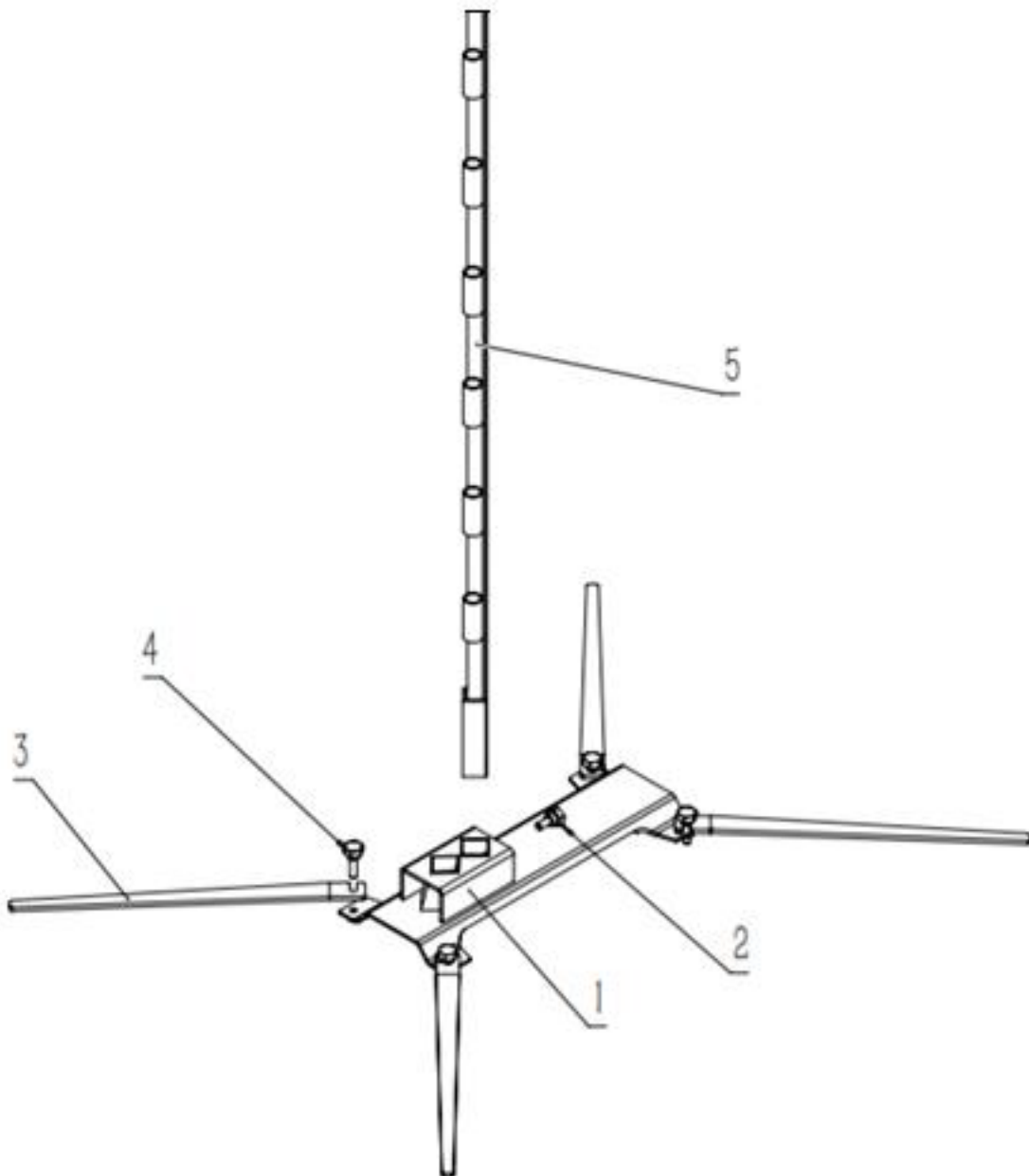


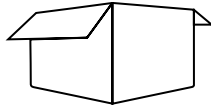


## UNBOXING

890087 - MPB-DUELTREEU

1. BOTTOM SUPPORT x1
2. M10x25 LOCKING BOLT x1
3. SUPPORTING LEG x4
4. M10x40 LOCKING BOLT x4
5. TARGET STAND x1





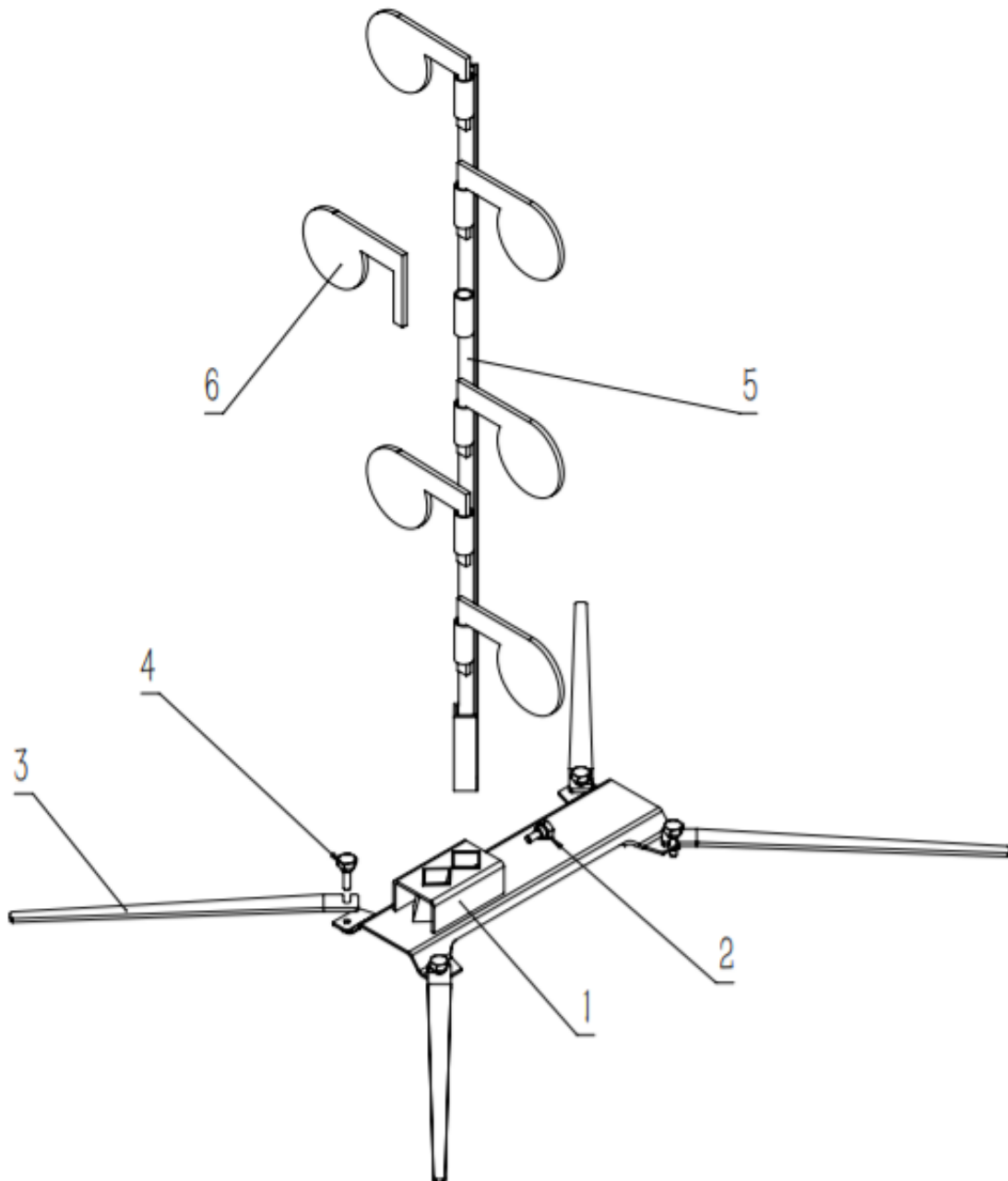
## UNBOXING

899888 - DUELTREEB-DUELTREEU

DUELTREEB = BOX 1

DUELTREEU = BOX 2

1. Box 1 - BOTTOM SUPPORT x1
2. Box 1 - M10x25 LOCKING BOLT x1
3. Box 1 - SUPPORTING LEG x4
4. Box 1 - M10x40 LOCKING BOLT x4
5. Box 2 - TARGET STAND x1
6. Box 1 - SHOOTING TARGET x6



# IMPORTANT PRODUCT INFORMATION

## WARNING:

- NEVER shoot steel core, steel jacket, solid copper ammo, or magnum rounds at the shooting target
- Do NOT shoot the target with BB's, pellets, or air soft. They do not have enough force to splatter and will ricochet
- Do NOT shoot any closer than 100 yards with a rifle and 10 yards with a handgun
- Do NOT shoot a caliber larger than .308 at the shooting target
- ALWAYS wear eye and ear protection while shooting at the target

## SUGGESTIONS:

- To prevent injury from a ricochet wear shooting glasses and protective clothing. Ear protection is also highly recommended when shooting.
- To avoid pitting, keep the speed of bullet impact below 3000 fps.
- To lessen ricochet, keep the speed of the bullet impact above 1500 fps.
- Flip your Titan shooting target to prolong target life.

## MINIMUM SHOOTING DISTANCES PER CALIBER:

- 10 Yards
  - .22 Rim Fire
  - 9mm
  - .38 Spl
  - .44 Spl
  - .45 acp

## 12 YARDS

- .357
- .40 SW
- Shotgun with lead bird shot

## 20 YARDS

- Shotgun with standard velocity 00 buck shot

## 50 YARDS

- Shotgun with standard velocity slug

## 100 YARDS

- .30 to 30

## 150 YARDS

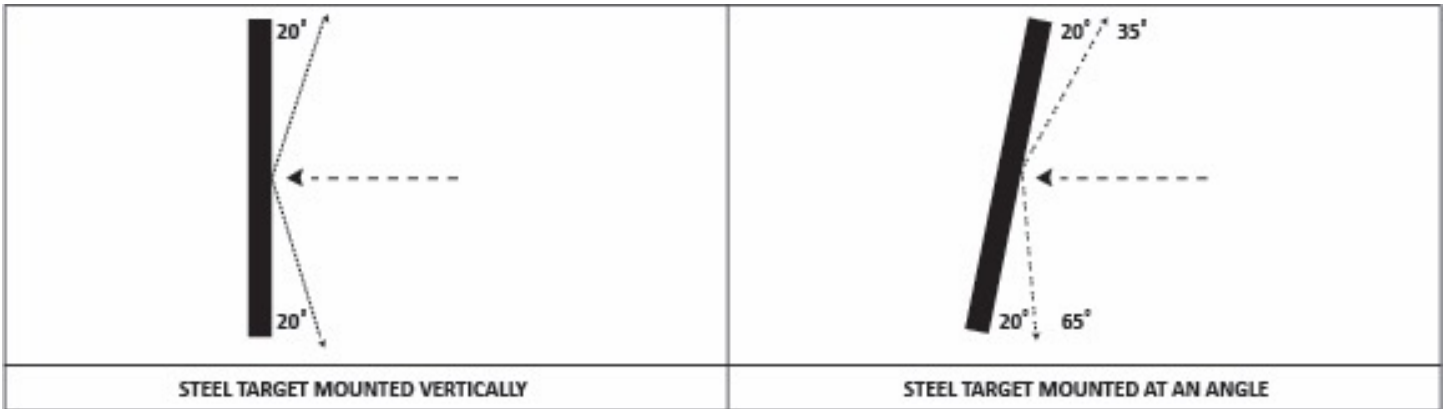
- .308

## SUGGESTED HANGING METHOD:

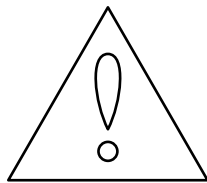
- Hang the Titan shooting target at an angle like the target shown in the below diagram. This will reduce harmful ricochet.

# SAFETY USE

Hold the shooting target at an angle similar to that of the target shown in the below diagram. This will reduce harmful ricochet.



For safest use of the Titan shooting target, stand in front of the target with a minimum of the suggested shooting distance for your caliber between the Titan shooting target and yourself, then aim directly at the center of the target.



## WARNINGS



Heavy object. Use lifting aids and proper lifting techniques when moving.



Sharp objects may be involved. Use precaution and protection.



Choking hazard. Small parts - Please exercise caution if small children or pets are present.

## **Acknowledgement of Risk & Release of Liability**

The use of any equipment, including this one, involves the potential risk of injury. Apart from any warranty claim that might be presented for a claimed defect in material or workmanship of the product, you accept and assume full responsibility for any and all injuries, damages (both economic and non-economic), and losses of any type, which may occur, and you fully and forever release and discharge Titan, its insurers, employees, officers, directors, associates, and agents from any and all claims, demands, damages, rights of action, or causes of action, present or future, whether the same be known or unknown, anticipated, or unanticipated, resulting from or arising out of the use of said equipment. This equipment must be used with care by capable and competent individuals under supervision, if necessary.

## **Time Limited Warranty: Terms, Exclusions & Limitations of Remedies**

This product comes with a one (1) year limited warranty that can be found at [www.ashandemberoutdoors.com/warranty.html](http://www.ashandemberoutdoors.com/warranty.html). Please review the same for all details regarding the Titan Limited Warranty.

THE TITAN LIMITED WARRANTY FOUND AT [WWW.TITANGREATOUTDOORS.COM/WARRANTY.HTML](http://WWW.TITANGREATOUTDOORS.COM/WARRANTY.HTML) IS EXCLUSIVE AND IS IN LIEU OF ALL OTHER WARRANTIES, EXPRESS OR IMPLIED, INCLUDING ANY IMPLIED WARRANTY OF MERCHANTABILITY AND/OR FITNESS FOR A PARTICULAR PURPOSE, EACH OF WHICH IS HEREBY DISCLAIMED.



# ASH & EMBER

---

Need help? Contact us first.

PHONE

1-888-794-1455

EMAIL

[info@ashandemberoutdoors.com](mailto:info@ashandemberoutdoors.com)

ASH & EMBER

[www.ashandemberoutdoors.com](http://www.ashandemberoutdoors.com)