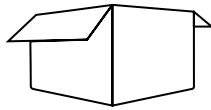




899655 - 35SPROWHv2b

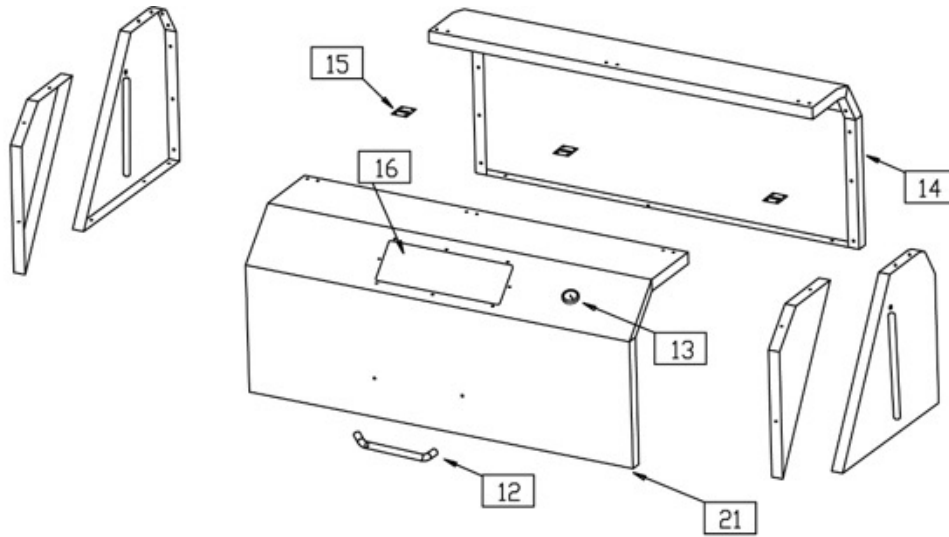
## 13W Rotisserie Grill with Glass Hood



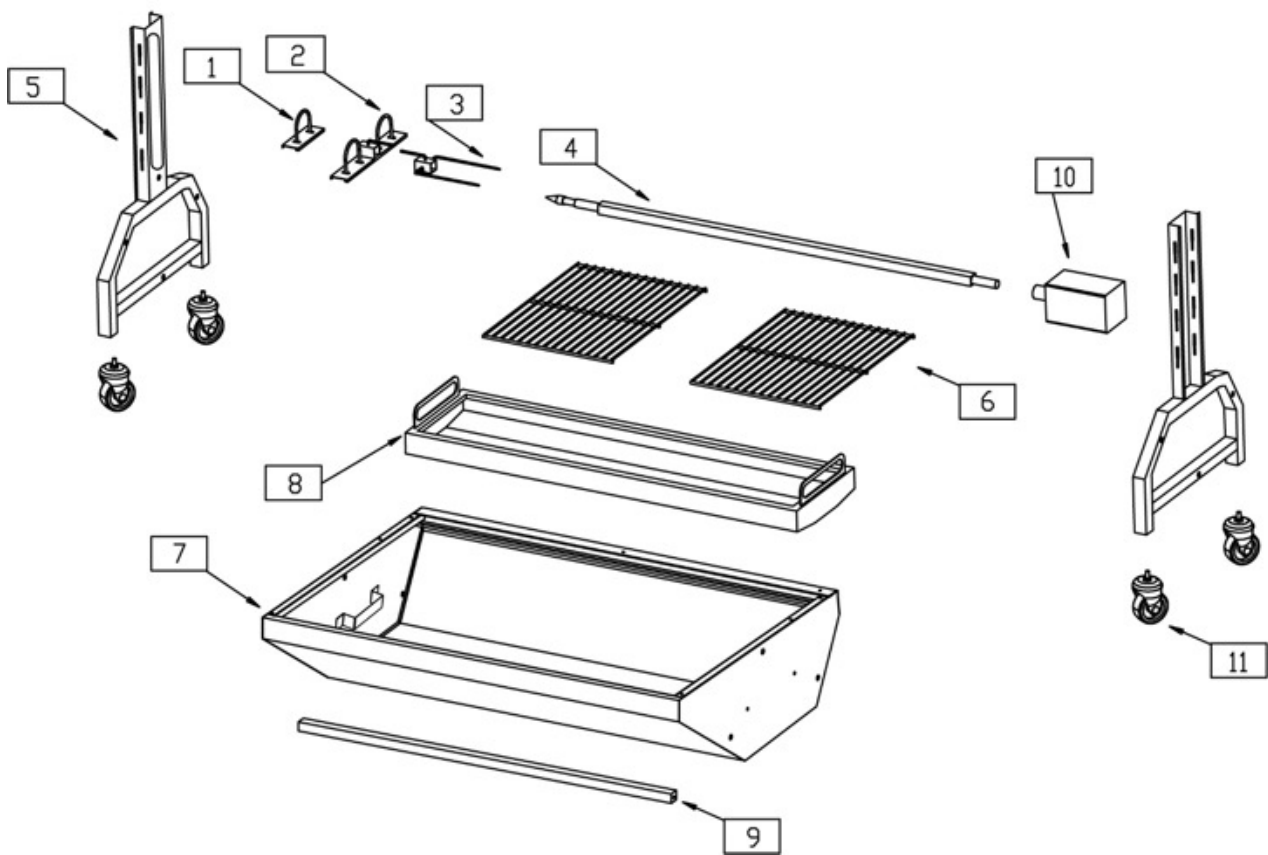


## UNBOXING

- 1.** Spine Hook (1 pc)
- 2.** Leg Shackle (1 pc)
- 3.** Fork (1 pc)
- 4.** Spit Rod (1 pc)
- 5.** Legs (2 pcs)
- 6.** Grills (2 pcs)
- 7.** Stove Tub
- 8.** Charcoal Tray
- 9.** Leg Support Pole
- 10.** Motor
- 11.** Castors (4 pc)
- 12.** Handle
- 13.** Temp Gauge
- 14.** Hood – back panel
- 15.** Hinges (3 pc)
- 16.** Glass (1 pc)

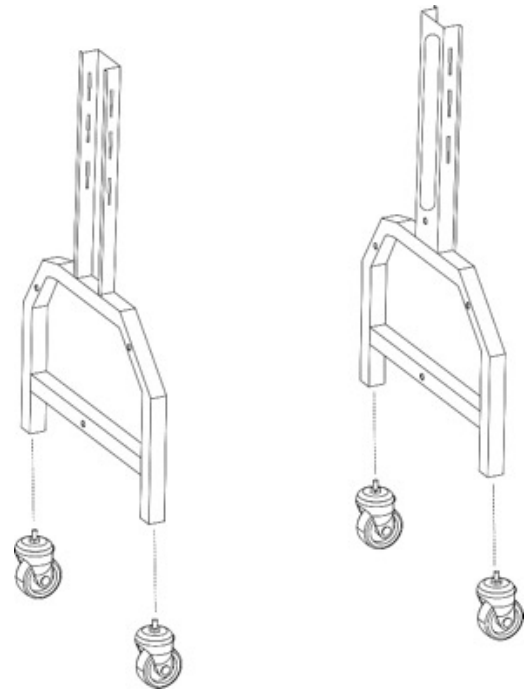


Hood is pre-assembled on the tub.



## STEP 1

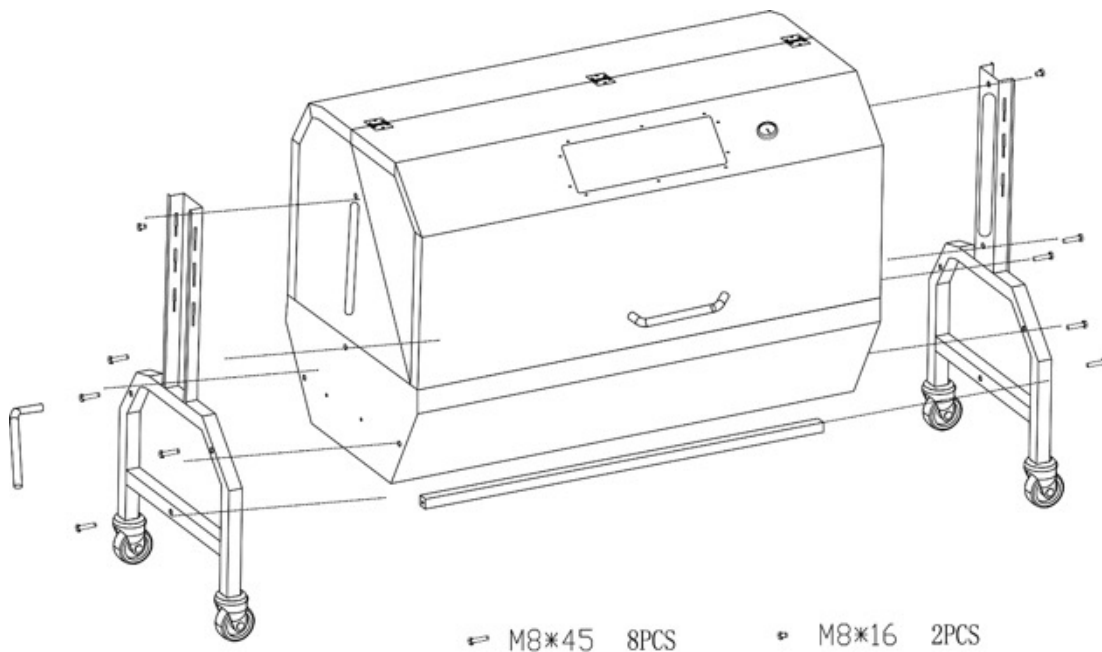
Fit the castor wheels, lock the castor before screwing it into the legs.



## STEP 2

Use the socket wrench to install the legs onto the tub with M8\*45 hex bolts, each leg needs 3pcs M8\*45 hex bolts. Put Leg Support Pole in between the bottom bars of the two legs, use M8\*45 hex bolts to secure it.

On top of the leg bracket, use 1pc M8\*16 hex bolt to connect the leg bracket with the side panel of the hood, the same for the other leg bracket, so both leg brackets are attached to the side panels of the hood.



**DO NOT FASTEN ALL BOLTS AND SCREWS BEFORE THE SPIT ROASTER IS FULLY ASSEMBLED**

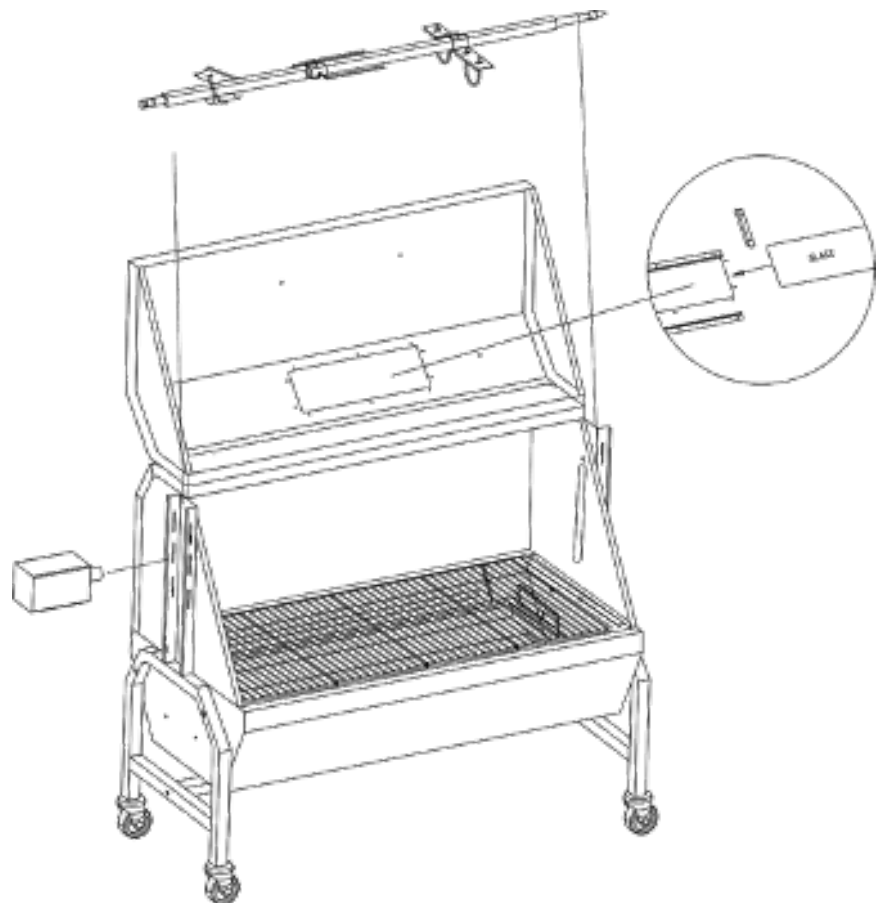


### STEP 3

Put the charcoal tray inside the tub, make sure two handles are attached to the hooks inside the tub. Put 3 grills on the edge of the stove tub.

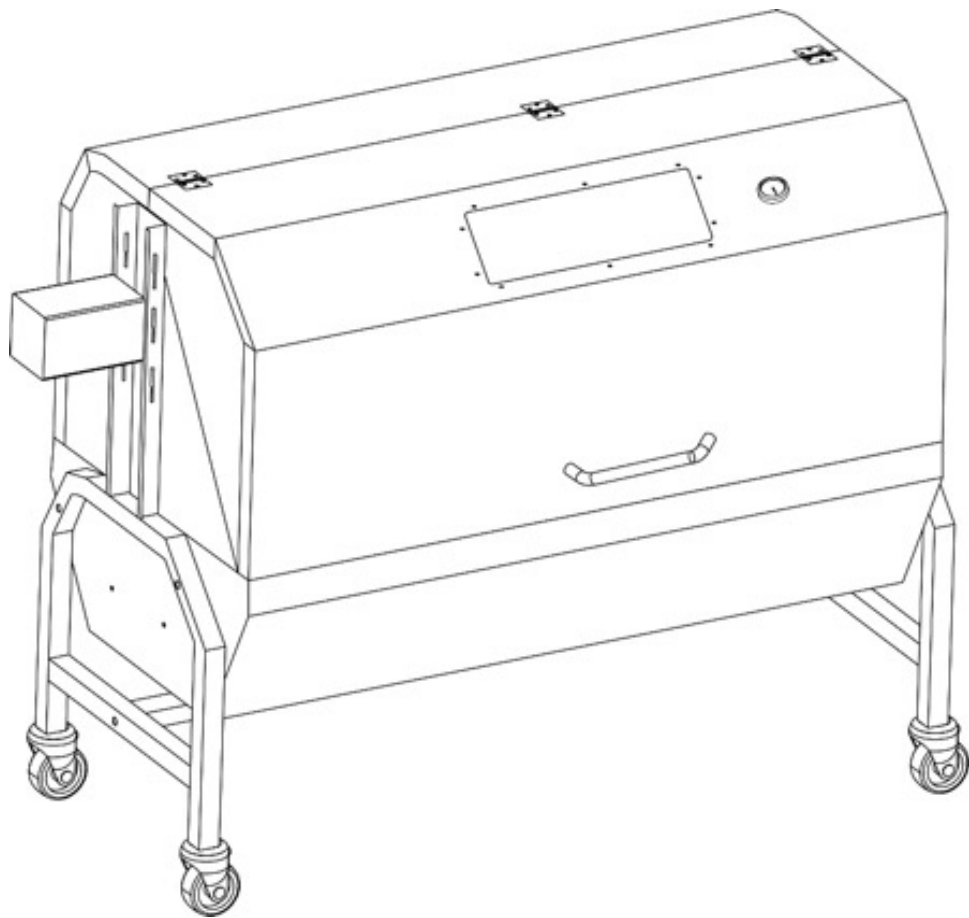
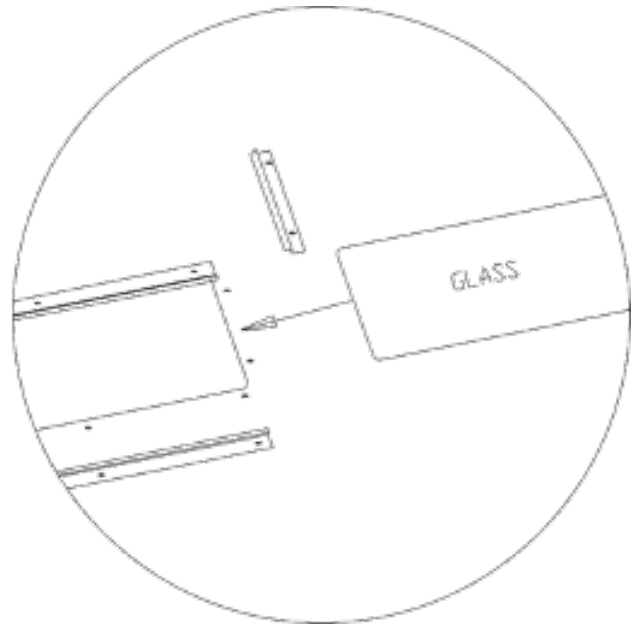
### STEP 4

Put the fork, spine hook & leg shackle on the spit rod, place the spear head into the slot of the right panel, then put the end of the spit rod into the slot of the left panel which is connected with the motor. Make sure the motor shaft pin is inserted into the notch on the end of the spit rod. And the groove on the spit rod must sit on the key stopper (attached to the leg bracket). Adjust cooking height by move the key stoppers in different slots on the leg bracket.



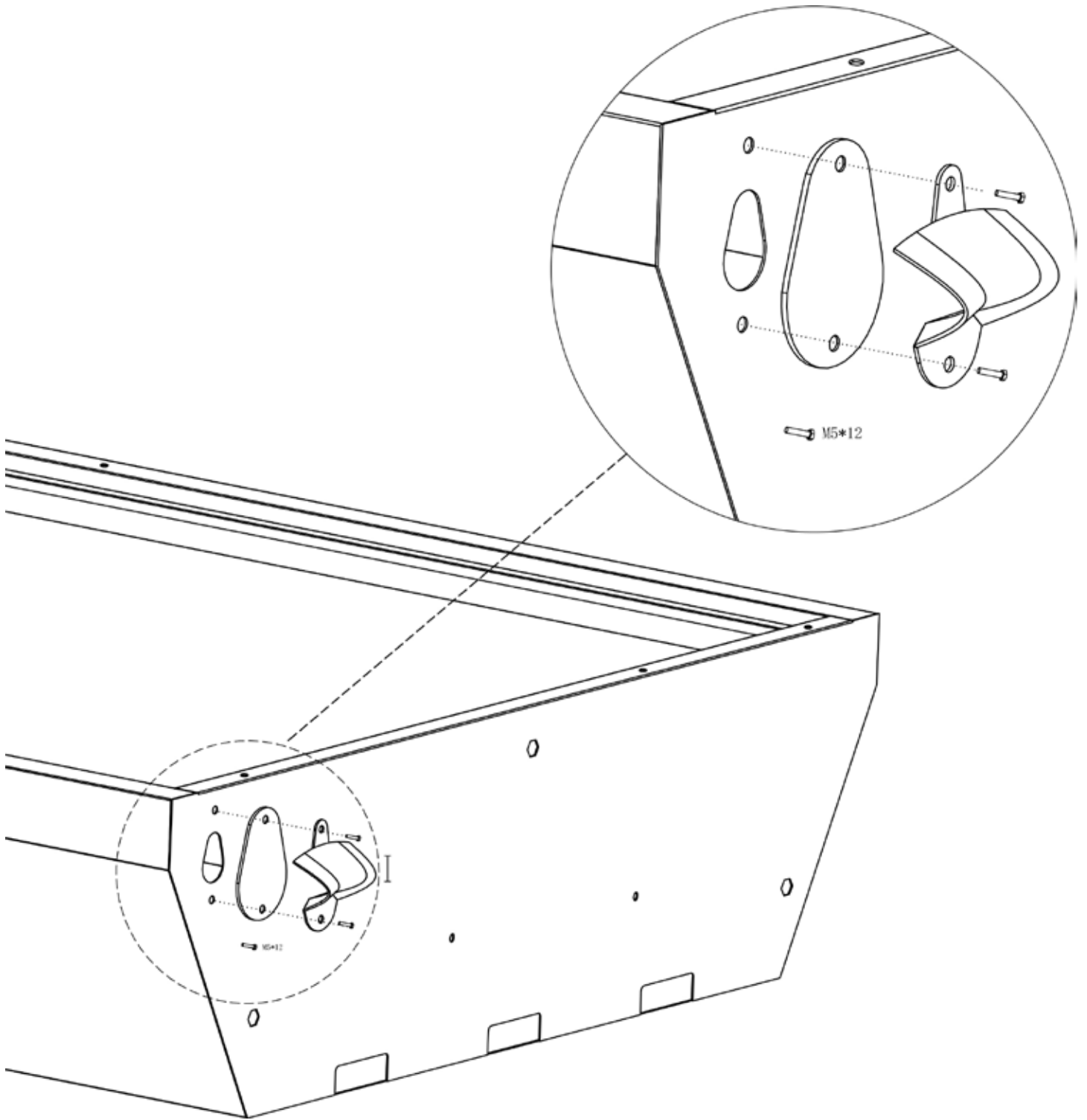
## STEP 5

On the front panel of the hood, un-screw one short bar and one long bar for glass window, put the glass against the bars pre-assembled on the hood, make sure the glass is in the groove of the stainless steel bars. Then put the short bar & long bar back on the hood, line up the screw holes and re-assemble the screws on the bars. Do not fasten the screws too much to crack the glass.



**LINE UP THE HOOD WITH THE STOVE TUB, THEN FASTEN ALL BOLTS AND SCREWS, IF GROUND FLOOR IS NOT EVEN AND HOOD IS NOT LINED UP WITH THE TUB, ADJUST THE CASTER(S) HEIGHT MORE OR LESS TO MAKE THE STOVE EVEN.**

STEP 5:  
Bottle opener Installation



## FOR OUTDOOR USE ONLY

**DO NOT** OPERATE THIS APPLIANCE BEFORE READING THIS INSTRUCTION BOOKLET

**DO NOT** PLACE ARTICLES ON OR AGAINST THIS APPLIANCE

**DO NOT** STORE CHEMICALS OR FLAMMABLE MATERIALS OR SPRAY AEROSOLS NEAR THIS APPLIANCE

**DO NOT** OPERATE THE APPLIANCE INDOORS

**DO NOT** OPERATE IN AN ENCLOSED AREA

ACCESSIBLE PARTS MAY BE VERY HOT. KEEP YOUNG CHILDREN OR PETS AWAY

MINIMUM CLEARANCES FROM COMBUSTIBLE MATERIALS: 3 METERS

RETAIN THESE INSTRUCTIONS FOR FUTURE USE

**DO NOT FASTEN ALL BOLTS AND SCREWS BEFORE THE SPIT ROASTER IS FULLY ASSEMBLED**

**PROTECTIVE FILM MUST BE REMOVED FROM STAINLESS STEEL BEFORE USE**

**PHILLIPS-HEAD SCREWDRIVER IS NEEDED**

### SAFETY

1. Use outdoors only. Read the instructions before using this appliance.
2. Warning: accessible parts may be very hot. Keep young children and pets away.
3. Do not move the appliance during use.
4. Metal edges can present a hazard. Use appropriate gloves when lifting or handling.
5. Use protective gloves when handling hot components.
6. Any modifications of the appliance may be dangerous.

### ELECTRICAL CAUTION

1. If any accessory is used on this appliance that requires an external electrical power source, the accessory when installed must be electrically grounded in accordance with local codes.
2. Do not expose the motor in the rain.
3. Keep the electrical supply cord away from any heated surface.

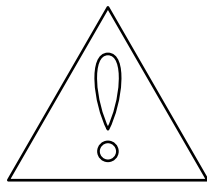
### INSTALLATION

1. The appliance must be located away from combustible material for 3 meters.
2. DO NOT operate this appliance under any overhead roof construction or foliage.
3. This appliance is for OUTDOOR USE ONLY, DO NOT operate in garage, shed, balcony or other such enclosed areas.
4. DO NOT restrict the flow of air to the appliance.
5. Keep the area surrounding the appliance free of combustible materials, gasoline, and all flammable liquids and vapours.
6. This appliance is not intended to be installed in, or on, recreational vehicles and/or boats.
7. Ensure protective film is removed from stainless steel before use.

### PREPARING THE SPIT

1. Select the appropriate accessories for holding the cut of meat you will be cooking.
2. Try to determine the center of weight for the cut of meat, and use this point to insert the spit rod.
3. Position the meat in the center of the horizontal length of the spit rod and ensure it is well secured.
4. Ensure that the spit supports allow for the rod to be as level as possible.
5. Place the spit with the meat into the rod spit supports. Make sure that the motor output is aligned properly with the slot in the rod.
6. Ensure that meat is balanced to ensure maximum efficiency of motor.
7. Unbalanced loading could strain and damage motor.





## WARNINGS



Heavy object. Use lifting aids and proper lifting techniques when moving.



Sharp objects may be involved. Use precaution and protection.



Choking hazard. Small parts - Please exercise caution if small children or pets are present.

## **Acknowledgement of Risk & Release of Liability**

The use of any equipment, including this one, involves the potential risk of injury. Apart from any warranty claim that might be presented for a claimed defect in material or workmanship of the product, you accept and assume full responsibility for any and all injuries, damages (both economic and non-economic), and losses of any type, which may occur, and you fully and forever release and discharge Titan, its insurers, employees, officers, directors, associates, and agents from any and all claims, demands, damages, rights of action, or causes of action, present or future, whether the same be known or unknown, anticipated, or unanticipated, resulting from or arising out of the use of said equipment. This equipment must be used with care by capable and competent individuals under supervision, if necessary.

## **Time Limited Warranty: Terms, Exclusions & Limitations of Remedies**

This product comes with a one (1) year limited warranty that can be found at [www.ashandemberoutdoors.com/warranty.html](http://www.ashandemberoutdoors.com/warranty.html). Please review the same for all details regarding the Titan Limited Warranty.

THE TITAN LIMITED WARRANTY FOUND AT [WWW.TITANGREATOUTDOORS.COM/WARRANTY.HTML](http://WWW.TITANGREATOUTDOORS.COM/WARRANTY.HTML) IS EXCLUSIVE AND IS IN LIEU OF ALL OTHER WARRANTIES, EXPRESS OR IMPLIED, INCLUDING ANY IMPLIED WARRANTY OF MERCHANTABILITY AND/OR FITNESS FOR A PARTICULAR PURPOSE, EACH OF WHICH IS HEREBY DISCLAIMED.

# ASH & EMBER

---

Need help? Contact us first.

PHONE

1-888-794-1455

EMAIL

[info@ashandemberoutdoors.com](mailto:info@ashandemberoutdoors.com)

ASH & EMBER

[www.ashandemberoutdoors.com](http://www.ashandemberoutdoors.com)