

# 3 POINT DOUBLE BOTTOM TURN PLOW

---

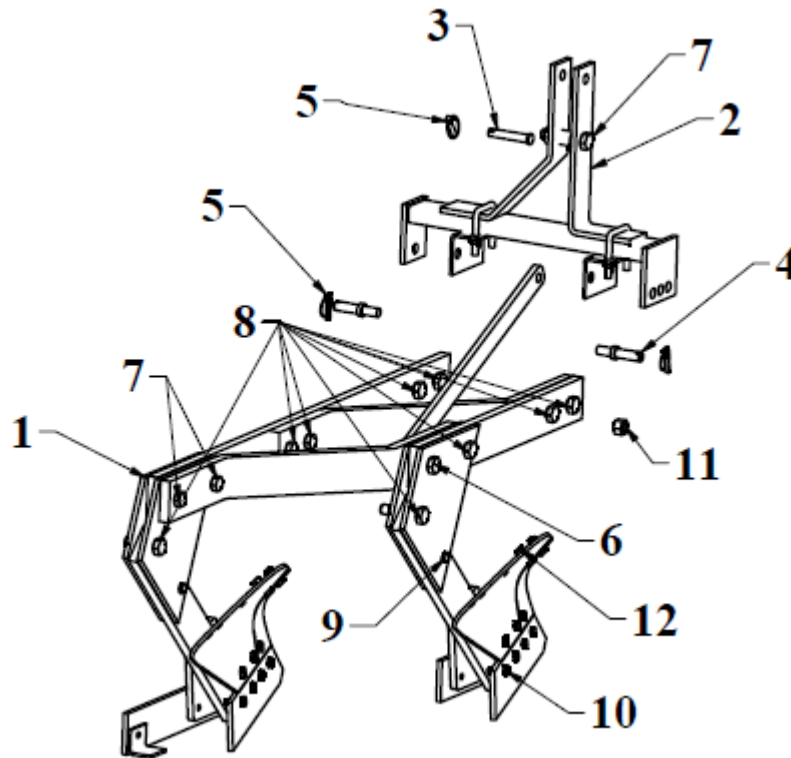
191428 - DBTPLOWv1b



## Operator's Manual

Read the Operator's Manual entirely. When you see this symbol, the subsequent instructions and warnings are serious follow without exception. Your life and the lives of others depend on it!

**PARTS DIAGRAM / EXPLODED VIEW**



ITEM	PART	DESCRIPTION	QTY
1	3PTDBTMPLW01	BOTTOM PLOW ASSEMBLY	1
2	3PTDBTMPLW02	3 POINT ORIAL ASSEMBLY	1
3	3PTDBTMPLW03	TOP LINK PIN	1
4	3PTDBTMPLW04	THREADED PIN	2
5	3PTDBTMPLW05	LINCH PIN	4
6	-	M20 X 120L	1
7	-	M20 X 100L	3
8	-	M20 X 80L	9
9	-	M12 X 70L	2
10	-	M12 X 40L	18
11	-	M20 NUT	15
12	-	M12 NYLOCK NUT	20

**ASSEMBLY INSTRUCTIONS**

- Bottom plow assembly and 3 Point Oriial assembly comes in assembled condition.
- 3 Point Oriial assembly to be fitted on bottom plow assembly using m20 bolts provided.

## ACKNOWLEDGEMENT OF RISK AND RELEASE OF LIABILITY

---

The use of any equipment, including this one, involves the potential risk of injury. Apart from any warranty claim that might be presented for a claimed defect in material or workmanship of the product, you accept and assume full responsibility for any and all injuries, damages (both economic and non-economic), and losses of any type, which may occur, and you fully and forever release and discharge Titan, its insurers, employees, officers, directors, associates, and agents from any and all claims, demands, damages, rights of action, or causes of action, present or future, whether the same be known or unknown, anticipated, or unanticipated, resulting from or arising out of the use of said equipment.

This equipment must be used with care by capable and competent individuals under supervision, if necessary.

## WARNING

---



**Do not overfill!** Mower should be level when checking oil in gear box.



some activities might be able to cause electric shock



Sharp objects may be involved.  
Use protective cover during maintenance.

## TITAN LIMITED WARRANTY: TERMS, EXCLUSIONS AND LIMITATIONS OF REMEDIES

---

This product comes with a one (1) year limited warranty that can be found at [www.palletforks.com/warranty.html](http://www.palletforks.com/warranty.html). Please review the same for all details regarding the Titan Limited Warranty.

**THE TITAN LIMITED WARRANTY FOUND AT [WWW.PALLETFORKS.COM/WARRANTY.HTML](http://WWW.PALLETFORKS.COM/WARRANTY.HTML) IS EXCLUSIVE AND IS IN LIEU OF ALL OTHER WARRANTIES, EXPRESS OR IMPLIED, INCLUDING ANY IMPLIED WARRANTY OF MERCHANTABILITY AND/OR FITNESS FOR A PARTICULAR PURPOSE, EACH OF WHICH IS HEREBY DISCLAIMED.**



**NEED HELP? CONTACT US FIRST.**

**1-800-605-7595**

[info@palletworks.com](mailto:info@palletworks.com)

[www.palletforks.com](http://www.palletforks.com)

© 2024 Titan Brands