

H-PND

HPND1-HPND2

400593

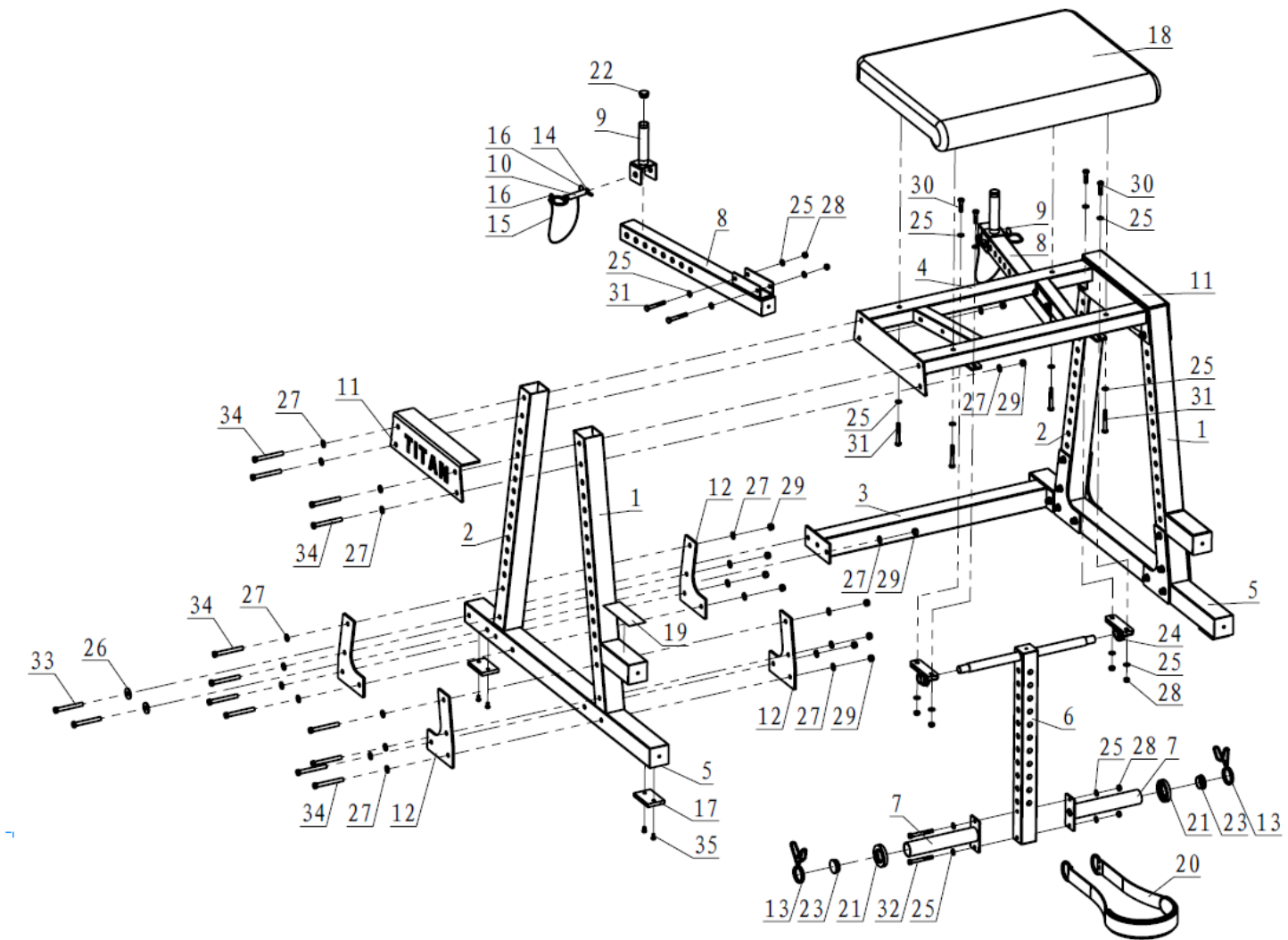


Operator's Manual

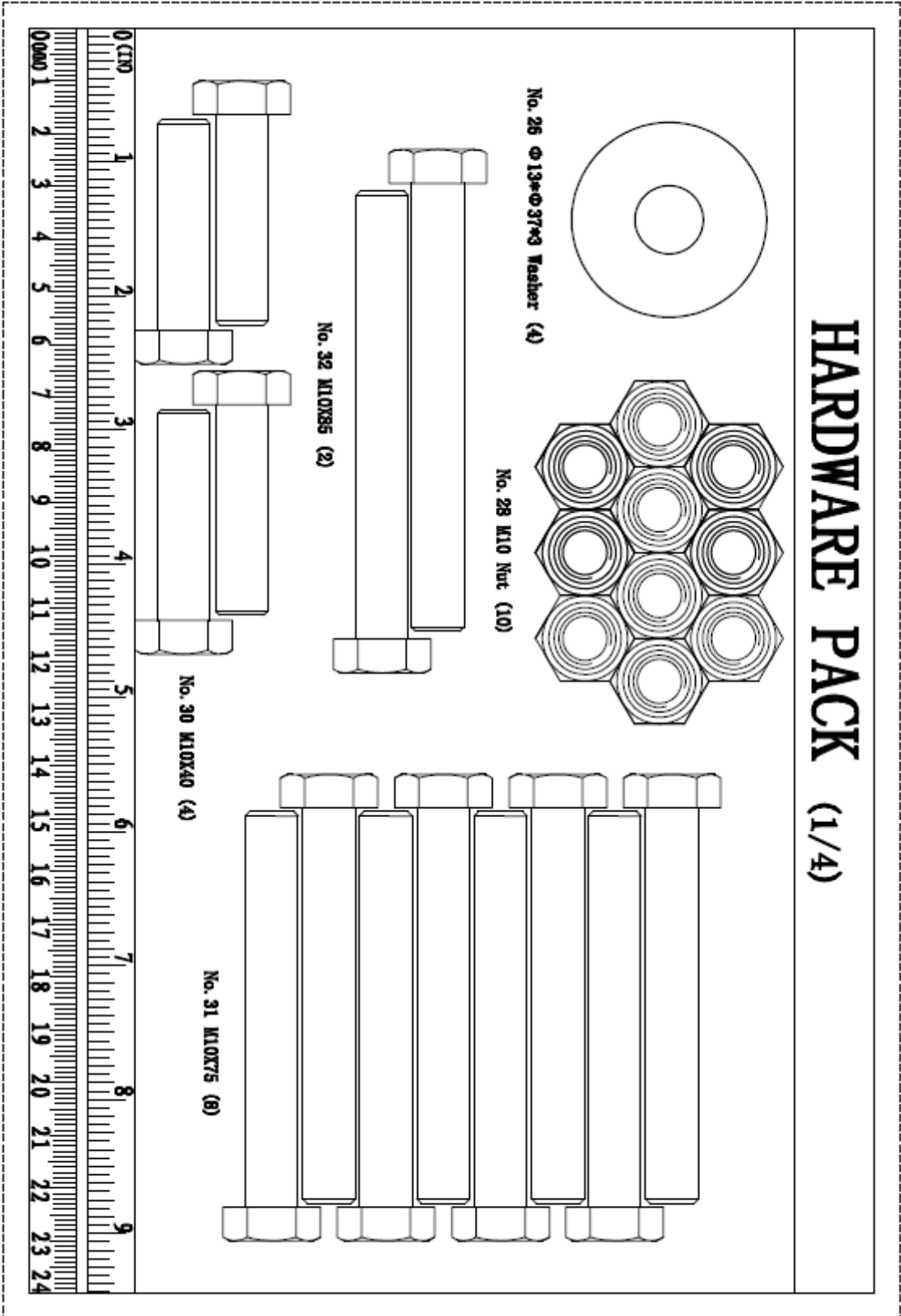


Read the Operator's Manual entirely. When you see this symbol, the subsequent instructions and warnings are serious follow without exception. Your life and the lives of others depend on it!

FULL ASSEMBLY/EXPLODED VIEW/FULL PARTS LIST

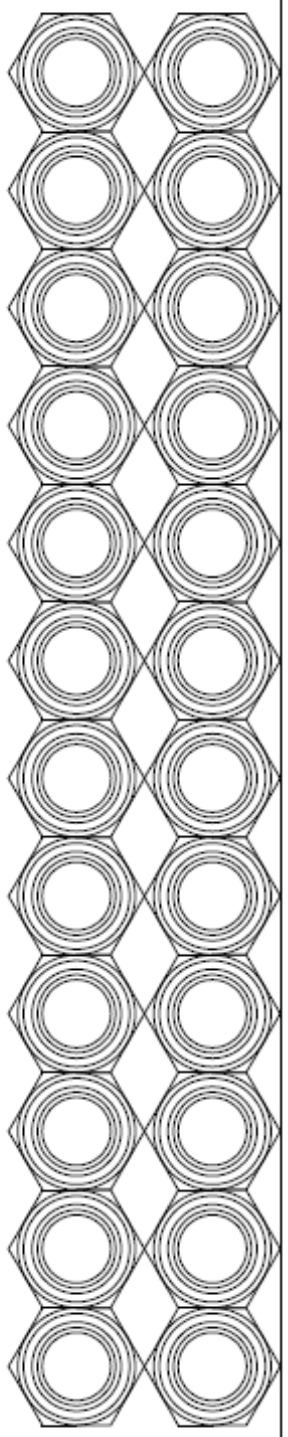


KEY	BOX	DESCRIPTION	QTY	KEY	BOX	DESCRIPTION	QTY
(1)	1	FRONT FRAME	2	(17)	2	RUBBER FOOT	4
(2)	1	REAR FRAME	2	(18)	1	PAD	1
(3)	1	LOWER CROSS FRAME	1	(19)	2	NON-SLIP STICKER	2
(4)	2	UPPER CROSS FRAME	1	(20)	1	SWING BAND	1
(5)	2	BASE FRAME	2	(21)	1	RUBBER BUMPER Φ77*Φ47.5*13	2
(6)	2	SWING FRAME	1	(22)	2	FRONT HANDLEBAR FRAME	2
(7)	1	PLATE BAR HOLDER	2	(23)	2	END CAP Φ50*2.5	2
(8)	2	HANDLEBAR FRAME	2	(24)	1	BEARING UCP205	2
(9)	1	ADJUSTABLE HANDLEBAR	2	(25)	1	FLAT WASHER Φ11*Φ20*2	24
(10)	2	PIN ASSEMBLY	2	(26)	1	BIG WASHER Φ13*Φ37*3	4
(11)	2	LOGO PLATE	2	(27)	1	FLAT WASHER Φ13.5*Φ24*2.5	48
(12)	2	SUPPORT PLATE	8	(28)	1	NUT M10	10
(13)	2	CLIP Φ50*Φ5	2	(29)	1	NUT M12	24
(14)	2	PIN SHAFT Φ11*Φ8*50	2	(30)	1	HEX BOLT M10*40	4
(15)	2	CABLE Φ5.5*Φ1.6*360	2	(31)	1	HEX BOLT M10*75	8
(16)	1	RING Φ1.5*31	4				

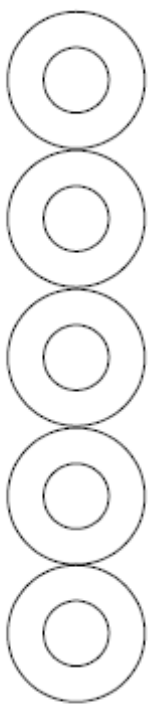


HARDWARE PACK (2/4)

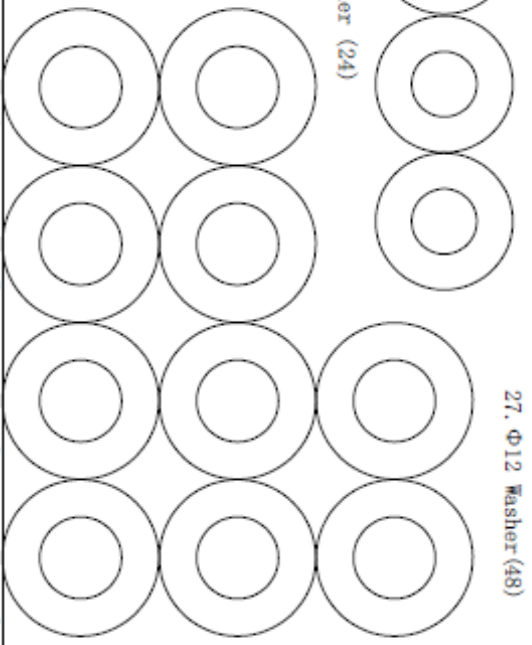
RH10



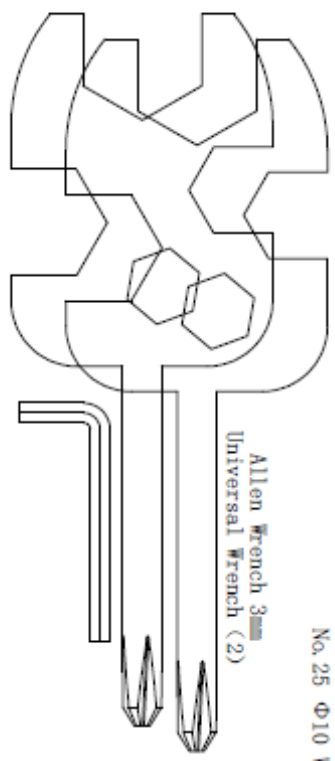
29. M12 Nut (24)



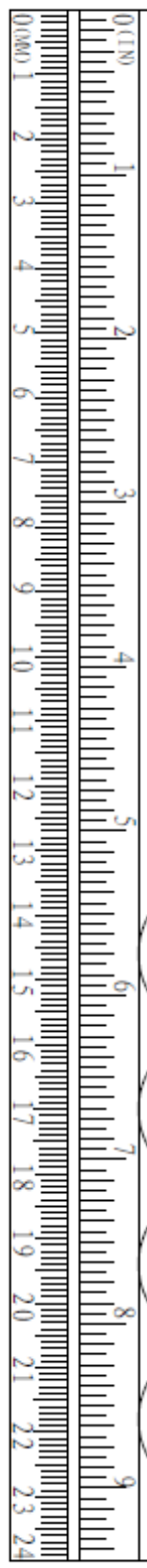
No. 25 Φ 10 Washer (24)



27. Φ 12 Washer (48)



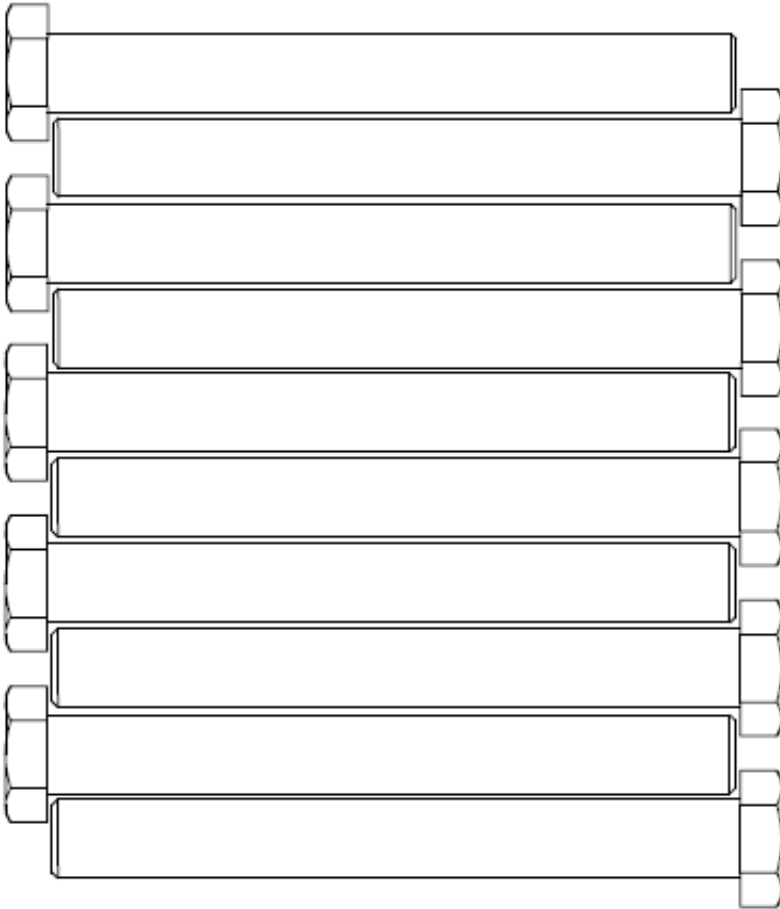
Allen Wrench 3mm
Universal Wrench (2)



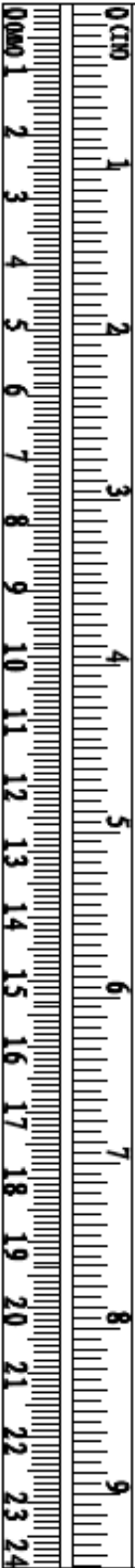
HARDWARE PACK (3/4)



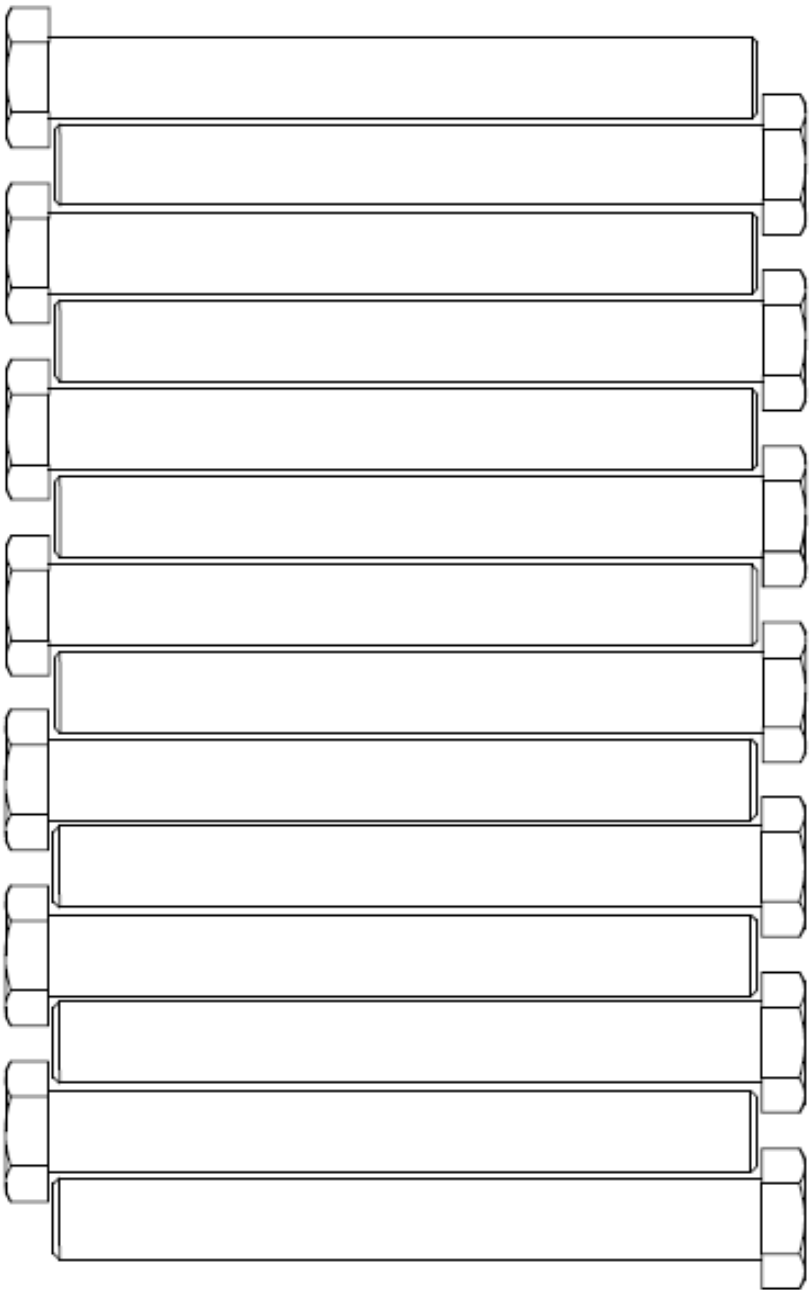
33. M12X100 (4)



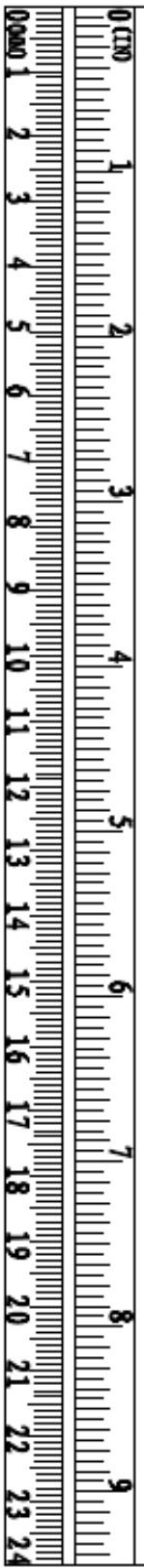
34. M12X105 (10)



HARDWARE PACK (4/4)



34. M12X106 (14)

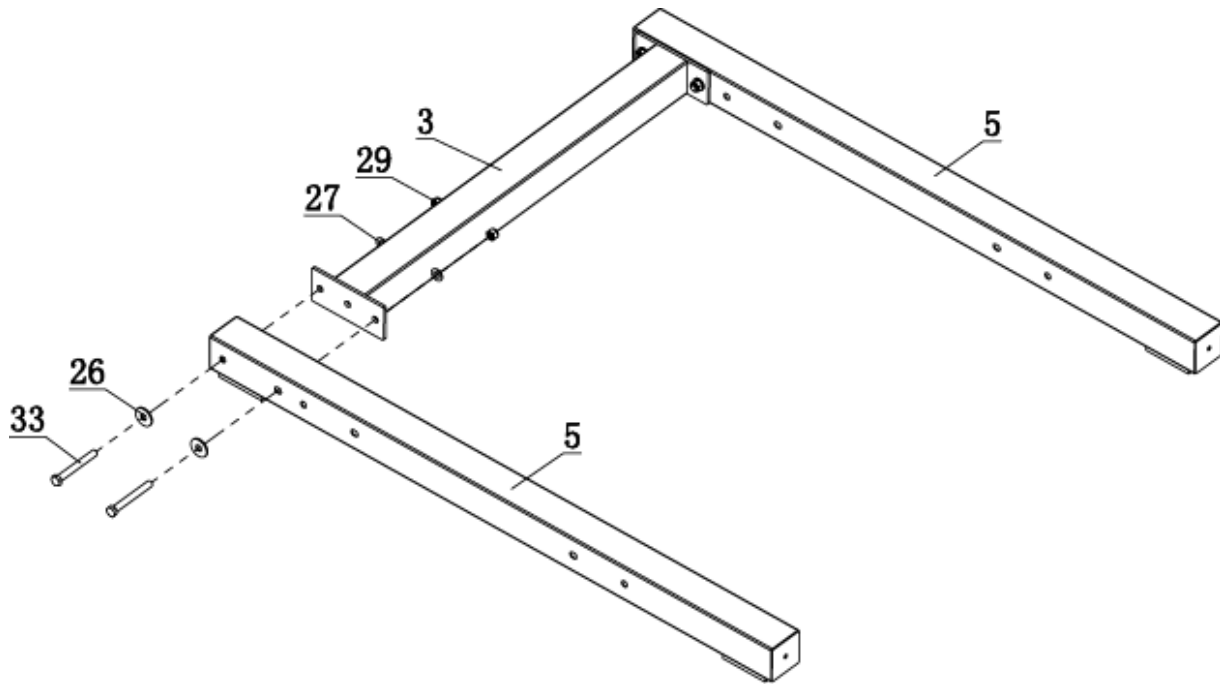


ASSEMBLY INSTRUCTIONS

STEP 1

Assemble Base Frame (5) and Lower Cross Frame (3) using Big Washer $\Phi 13*\Phi 37*3$ (26), Flat Washer $\Phi 13.5*\Phi 24*2.5$ (27), Nut M12 (29) and Hex Bolt M10*40 (30).

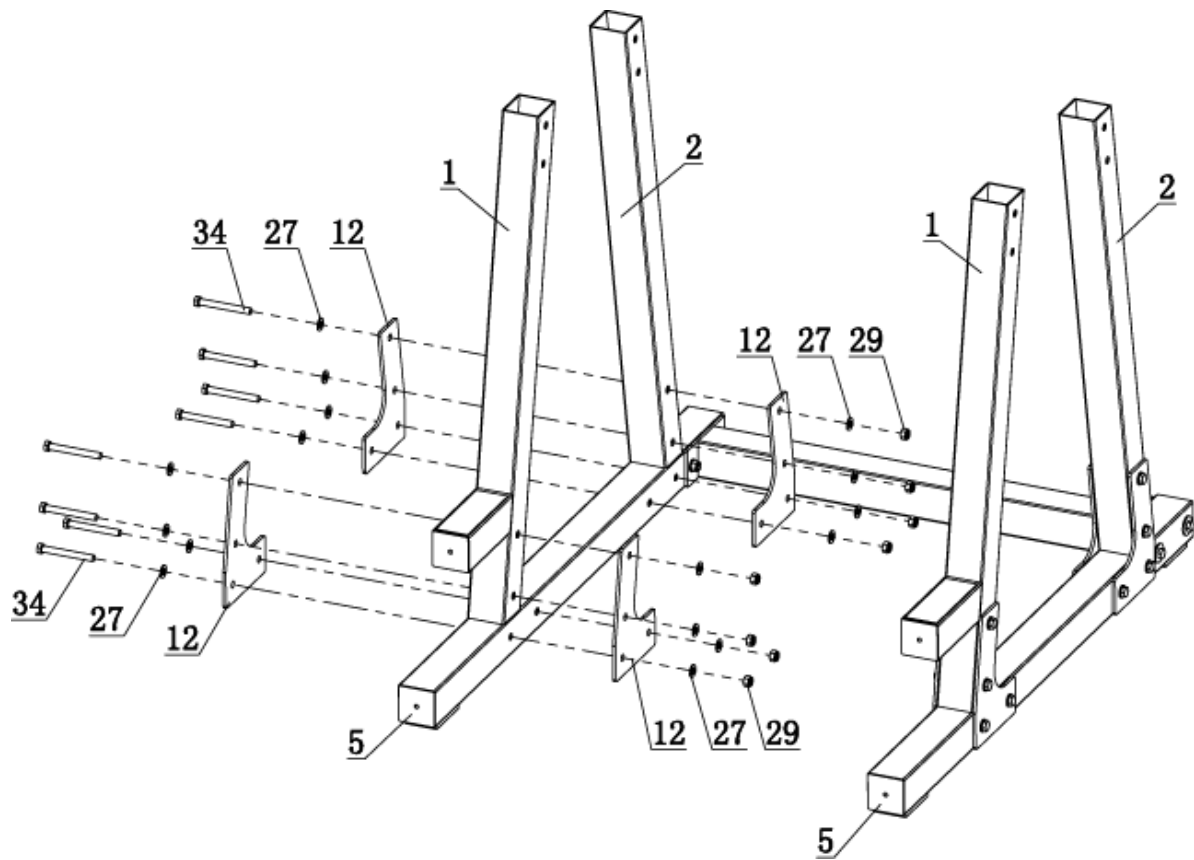
Please **DON'T** tighten all bolts.



STEP 2

Assemble Front Frame (1), Rear Frame (2), Base Frame (5) and Support Plate (12) using Flat Washer $\Phi 13.5 \times \Phi 24 \times 2.5$ (27), Nut M12 (29) and Hex Bolt M12*105 (34).

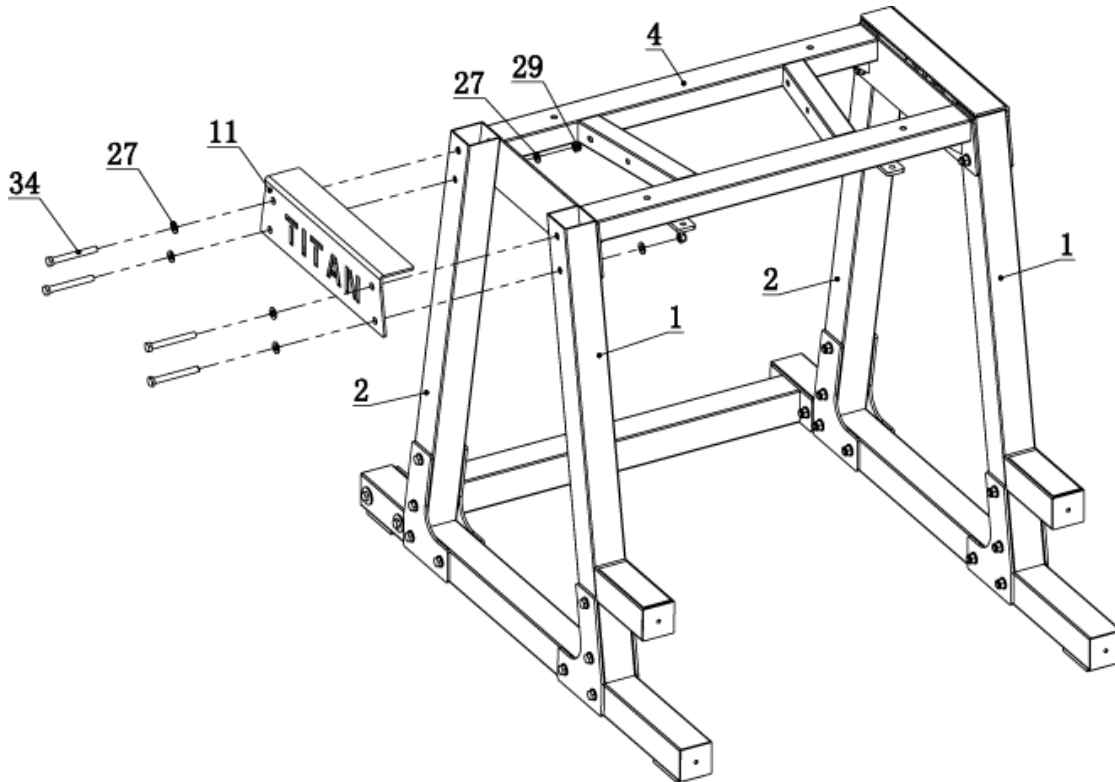
Please DON'T tighten all bolts.



STEP 3

Assemble Front Frame (1), Rear Frame (2), Upper Cross Frame(4) and Logo Plate(11) using Flat Washer $\Phi 13.5 \times \Phi 24 \times 2.5$ (27), Nut M12 (29) and Hex Bolt M12*105 (34).

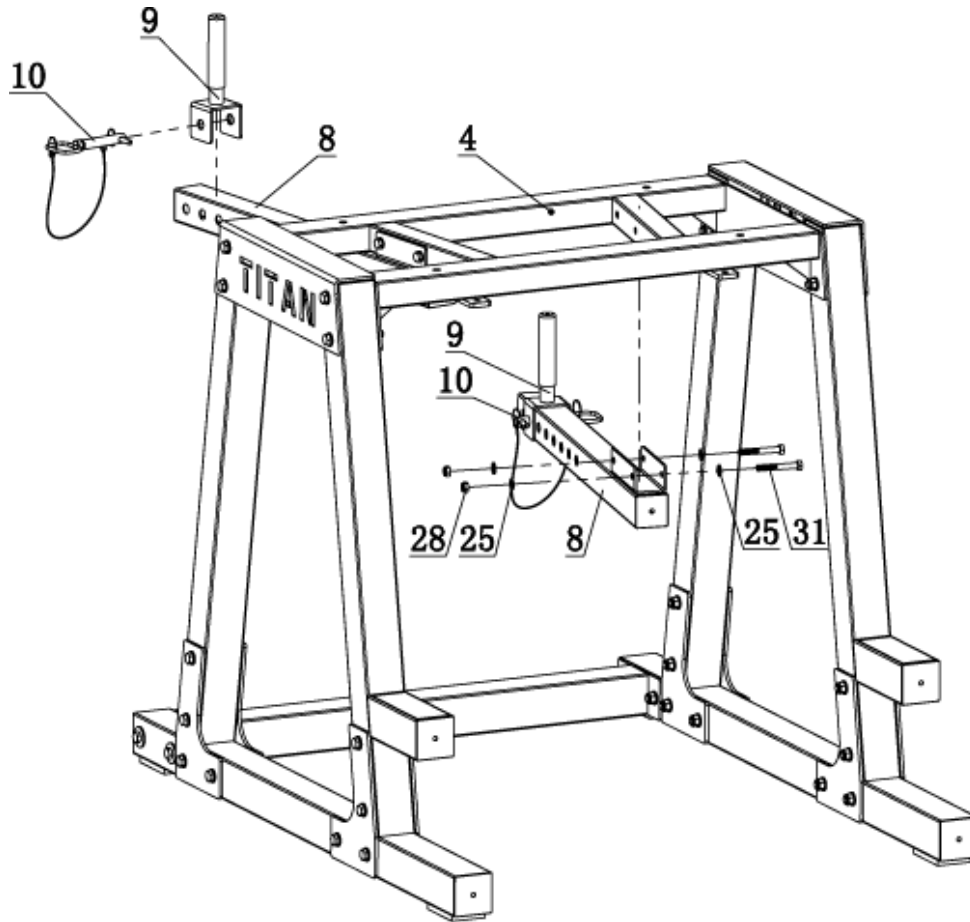
PLEASE TIGHTEN ALL BOLTS.



STEP 4

Assemble Upper Cross Frame (4) and Handlebar Frame (8) using Flat Washer $\Phi 11 * \Phi 20 * 2$ (25), Nut M10 (28) and Hex Bolt M10*75(3); Install Adjustable Handlebar (9) to Handlebar Frame (8) using Pin Assembly (10).

PLEASE TIGHTEN ALL BOLT.

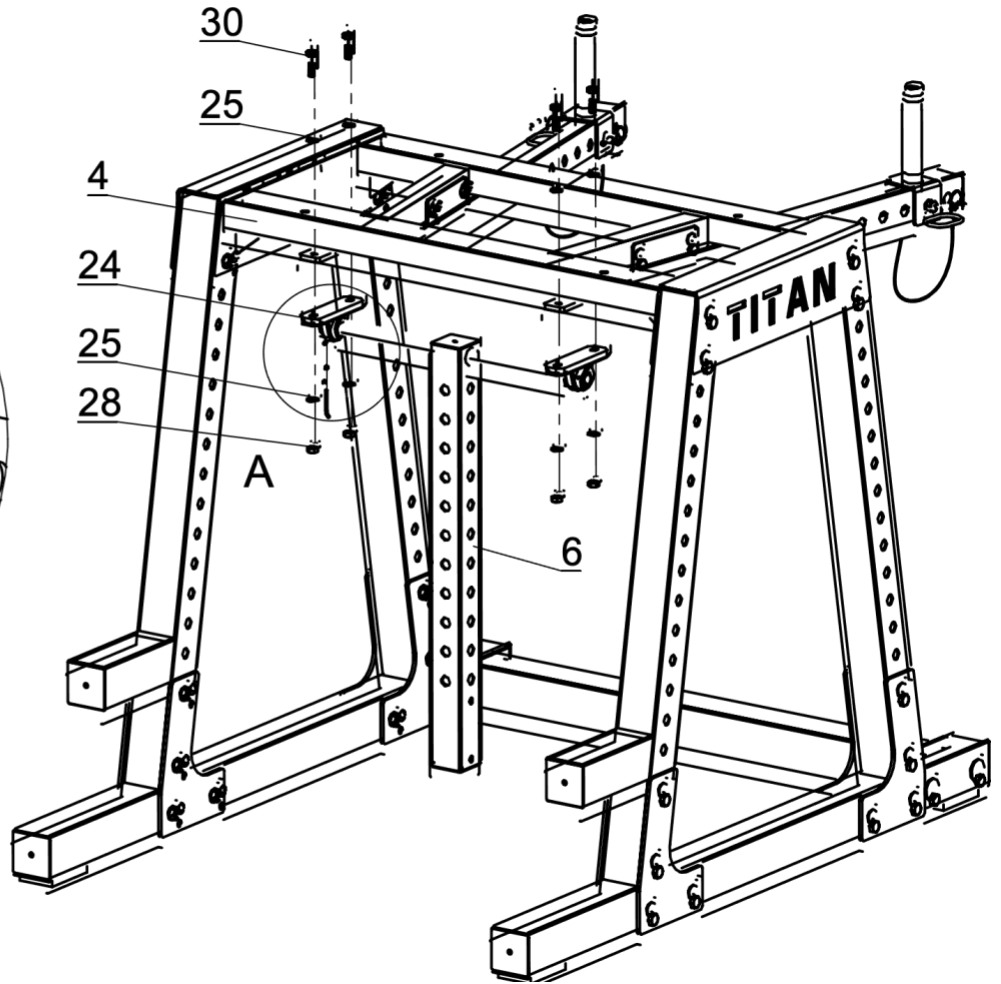
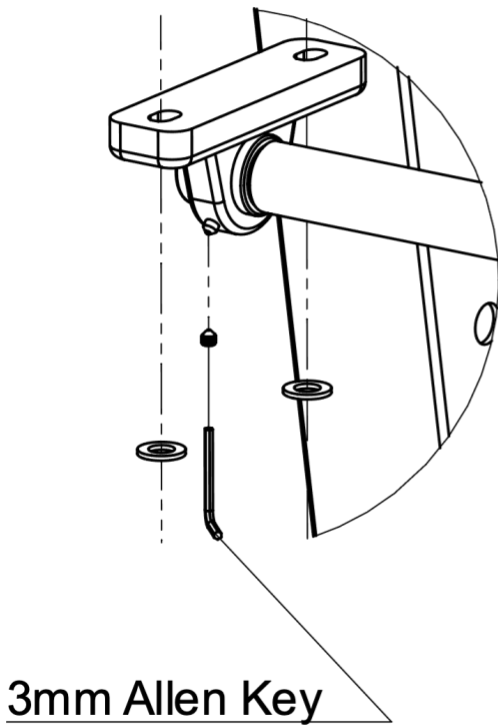


STEP 5

First loosen the M6 hex screws on Bearing UCP205 (24) using a 3mm hex wrench. Then put Bearing UCP205 (24) on Swing Frame (6), then assemble Swing Frame (6), Upper Cross Frame (4) and Bearing UCP205 (24) using Flat Washer $\Phi 11 * \Phi 20 * 2$ (25), Nut M10 (28) and Hex Bolt M10*40(30) as show. Finally lock the M6 hex screws on Bearing UCP205 (24)

PLEASE TIGHTEN ALL BOLTS.

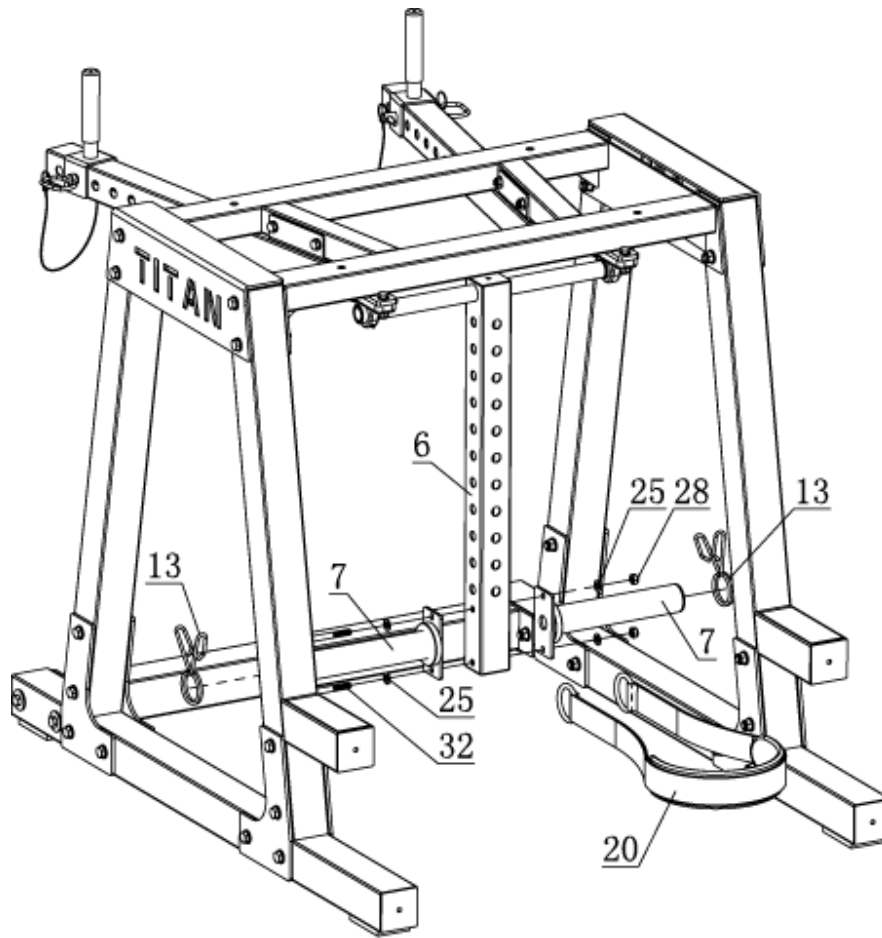
Detail View A
Scale 1 : 4



STEP 6

Assemble Swing Frame (6), Plate Bar Holder (7) using Flat Washer $\Phi 11*\Phi 20*2$ (25), Nut M10 (28), Hex Bolt M10*85(32), then put Swing Band (20) on Plate Bar Holder (7) using Clip $\Phi 50*\Phi 5$ (11) fix it as show.

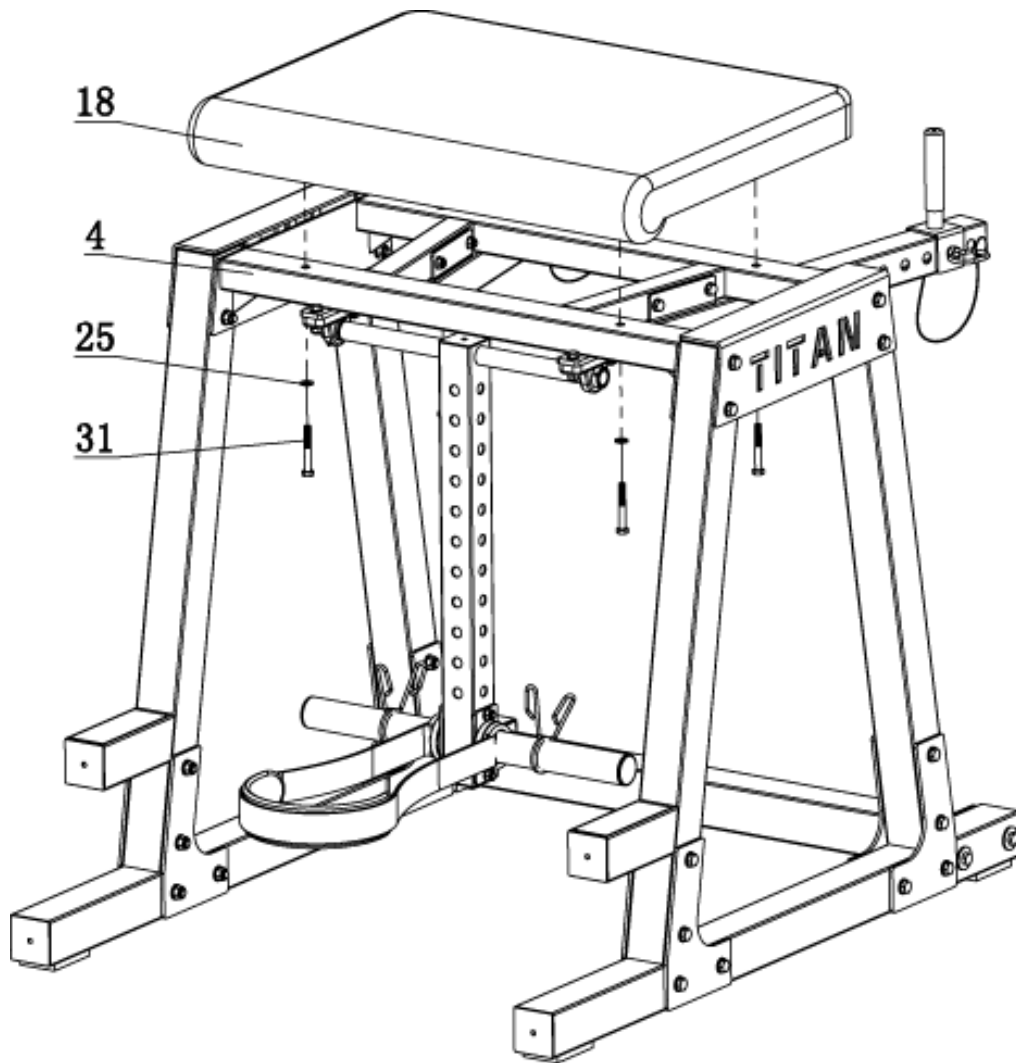
PLEASE TIGHTEN ALL BOLTS.



STEP 7

Install Pad (12) to Upper Cross Frame (4) using Flat Washer $\Phi 11 * \Phi 20 * 2$ (25) and Hex Bolt M10*75 (31).

PLEASE TIGHTEN ALL BOLTS.



ACKNOWLEDGEMENT OF RISK AND RELEASE OF LIABILITY

The use of any equipment, including this one, involves the potential risk of injury. Apart from any warranty claim that might be presented for a claimed defect in material or workmanship of the product, you accept and assume full responsibility for any and all injuries, damages (both economic and non-economic), and losses of any type, which may occur, and you fully and forever release and discharge Titan, its insurers, employees, officers, directors, associates, and agents from any and all claims, demands, damages, rights of action, or causes of action, present or future, whether the same be known or unknown, anticipated, or unanticipated, resulting from or arising out of the use of said equipment.

This equipment must be used with care by capable and competent individuals under supervision,

WARNING



Heavy object. Use lifting aids and proper lifting techniques when moving.



Choking hazard. Small parts – Please exercise caution if small children or pets are present.



Sharp objects may be involved. Use precaution and protection.

TITAN LIMITED WARRANTY: TERMS, EXCLUSIONS AND LIMITATIONS OF REMEDIES

This product comes with a one (1) year limited warranty that can be found at www.titan.fitness/warranty.html Please review the same for all details regarding the Titan Limited Warranty.

THE TITAN LIMITED WARRANTY FOUND AT WWW.TITAN.FITNESS/WARRANTY IS EXCLUSIVE AND IS IN LIEU OF ALL OTHER WARRANTIES, EXPRESS OR IMPLIED, INCLUDING ANY IMPLIED WARRANTY OF MERCHANTABILITY AND/OR FITNESS FOR A PARTICULAR PURPOSE, EACH OF WHICH IS HEREBY DISCLAIMED.



NEED HELP? CONTACT US FIRST.

1-888-410-1503

**info@titan.fitness
www.titan.fitness**

© 2024 Titan Brands