

# 5 PACK REPLACEMENT CORD KIT FOR 3 POINT TRIMMER LAWN MOWER

---

**TRIMCORDKIT  
191400**



## **Operator's Manual**

Read the Operator's Manual entirely. When you see this symbol, the subsequent instructions and warnings are serious follow without exception. Your life and the lives of others depend on it!

Replacement cords for 191441 - 3PTTRIM

### INSTALLING TRIMMER CORDS

Two trimmer cords must always be installed and ensured they are the same length. By running the trimmer without two cords installed or cords of unequal length can cause excessive vibration and may damage the machine.

Insert the end of a trimmer cord into the inlet hole (large slotted cutout), push it in until the end protrudes out the other side approximately 10mm. Then pull it in the opposite direction, the cords are installed.

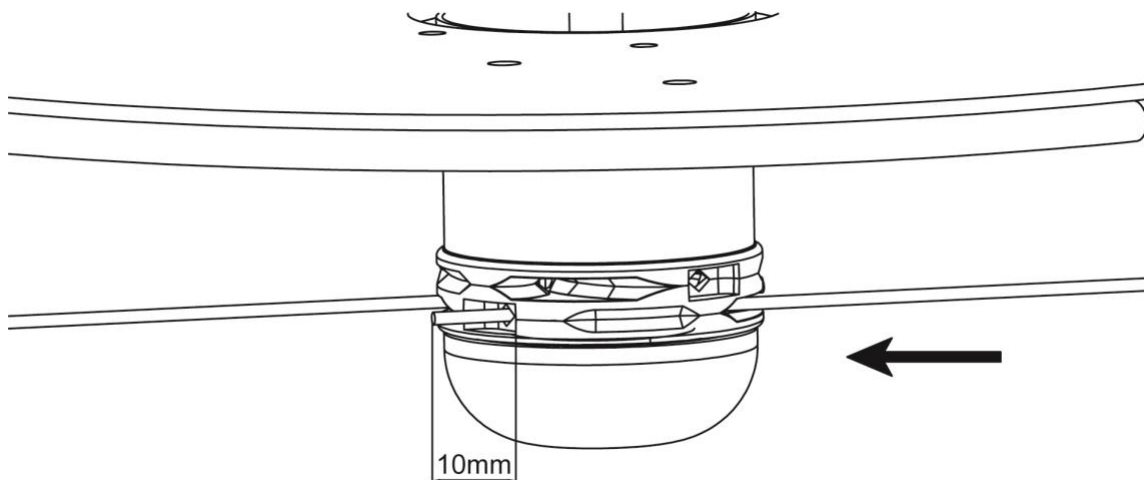
### REPLACING TRIMMER CORDS

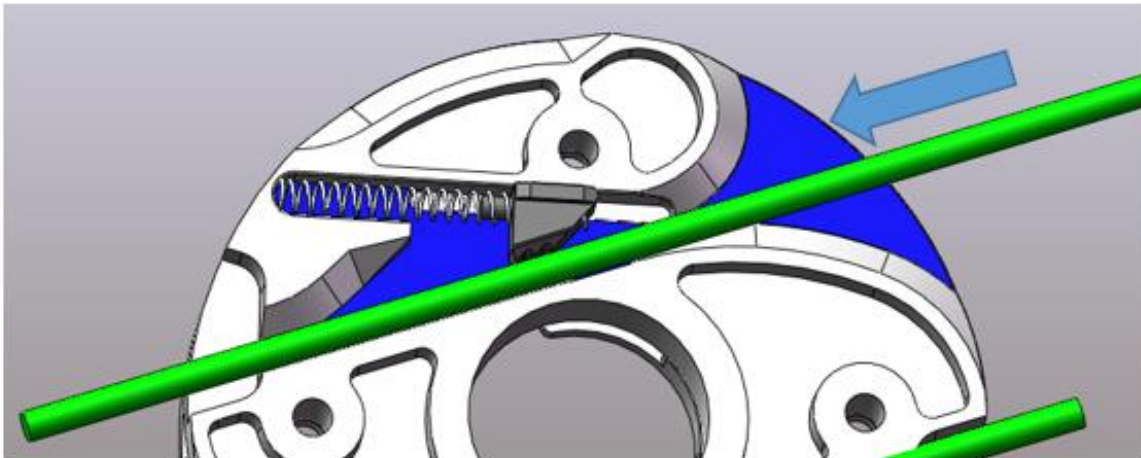
Use the new trimmer cords to push the old ones out, continue to push the new cords until the end protrudes out the other side approximately 10mm, then pull it in the opposite direction, the cords are replaced. And always make sure the cords are the same length.

*NOTE: The cord can only move through the cord head in one direction. To remove it you must pull it from the other side of the Holder (where the 10mm end is).*

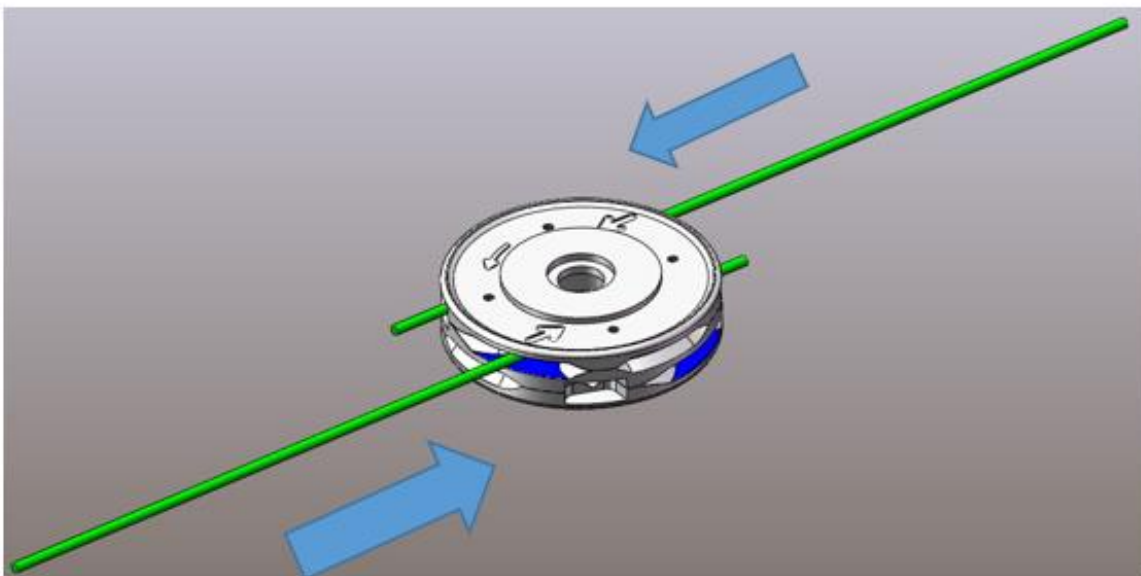
### NOTICE

Running the trimmer without all two cords installed or cords of unequal length can cause excessive vibration and may damage the machine.





Schematic Diagram



Arrow means cords push direction.

## ACKNOWLEDGEMENT OF RISK AND RELEASE OF LIABILITY

---

The use of any equipment, including this one, involves the potential risk of injury. Apart from any warranty claim that might be presented for a claimed defect in material or workmanship of the product, you accept and assume full responsibility for any and all injuries, damages (both economic and non-economic), and losses of any type, which may occur, and you fully and forever release and discharge Titan, its insurers, employees, officers, directors, associates, and agents from any and all claims, demands, damages, rights of action, or causes of action, present or future, whether the same be known or unknown, anticipated, or unanticipated, resulting from or arising out of the use of said equipment.

This equipment must be used with care by capable and competent individuals under supervision, if necessary.

## WARNING

---



**Do not overfill!** Mower should be level when checking oil in gear box.



some activities might be able to cause electric shock



Sharp objects may be involved.  
Use protective cover during maintenance.

## TITAN LIMITED WARRANTY: TERMS, EXCLUSIONS AND LIMITATIONS OF REMEDIES

---

This product comes with a one (1) year limited warranty that can be found at [www.palletforks.com/warranty.html](http://www.palletforks.com/warranty.html). Please review the same for all details regarding the Titan Limited Warranty.

**THE TITAN LIMITED WARRANTY FOUND AT [WWW.PALLETFORKS.COM/WARRANTY.HTML](http://WWW.PALLETFORKS.COM/WARRANTY.HTML) IS EXCLUSIVE AND IS IN LIEU OF ALL OTHER WARRANTIES, EXPRESS OR IMPLIED, INCLUDING ANY IMPLIED WARRANTY OF MERCHANTABILITY AND/OR FITNESS FOR A PARTICULAR PURPOSE, EACH OF WHICH IS HEREBY DISCLAIMED.**



**NEED HELP? CONTACT US FIRST.**

**1-800-605-7595**

[info@palletworks.com](mailto:info@palletworks.com)

[www.palletforks.com](http://www.palletforks.com)

© 2024 Titan Brands