

ELITE SERIES MASS STORAGE SYSTEM WITH ADJUSTABLE AND CORNER SHELVES

(2)ESTOR45UP4-(4)ESTOR42RTSHLF-(2)ESTORCRNRSHLF,
(2)ESTOR45UP4-(4)ESTOR70RTSHLF-(2)ESTORCRNRSHLF,
(2)ESTOR74UP4-(6)ESTOR42RTSHLF-(3)ESTORCRNRSHLF,
(2)ESTOR74UP4-(6)ESTOR70RTSHLF-(3)ESTORCRNRSHLF
401946, 401947, 401948, 401949



Operator's Manual

Read the Operator's Manual entirely. When you see this symbol, the subsequent instructions and warnings are serious follow without exception. Your life and the lives of others depend on it!

NOTES FROM TITAN

ESTOR42RTSHLF and ESTOR70SHLF have 3 sets of bolt holes at each end. Depending on the holes used the shelf can be mounted:

- Flat with lip at back of shelf to keep items from falling off back of shelf
- 20 Degree Angle with lip at front of shelf to keep items on the shelf
- 30 Degree Angle with lip at front of shelf to keep items on the shelf

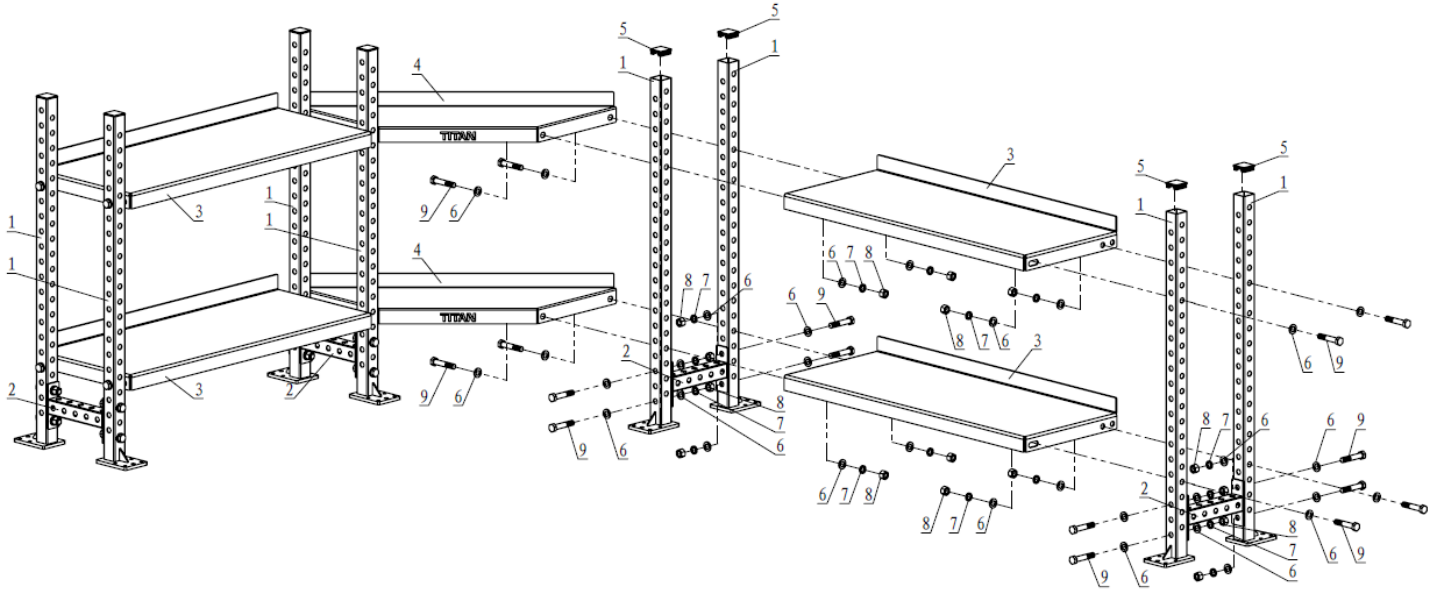
FLAT ANGLE

20 DEGREE ANGLE

30 DEGREE ANGLE



2 TIER PARTS DIAGRAM / EXPLODED VIEW / PARTS LIST

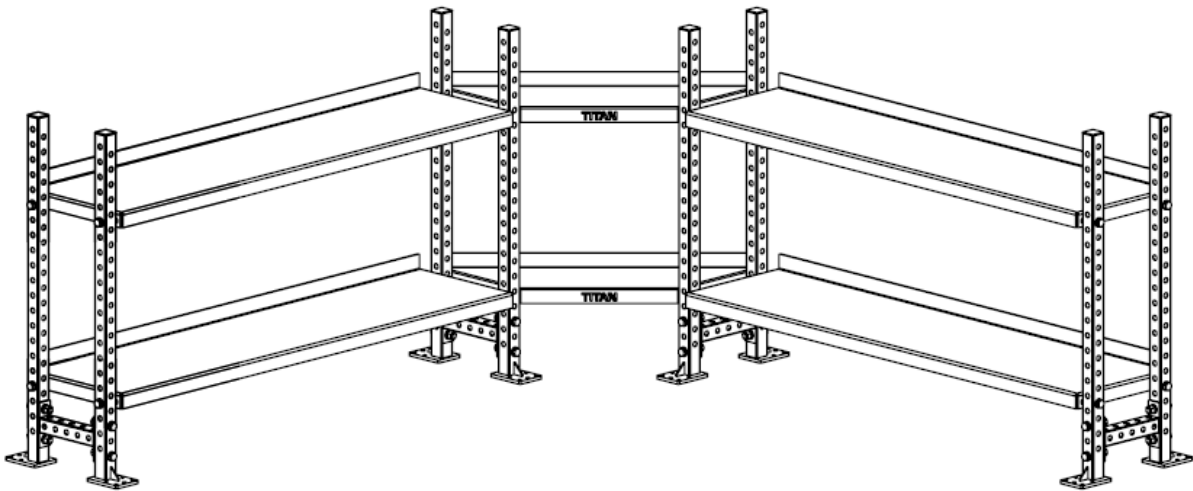
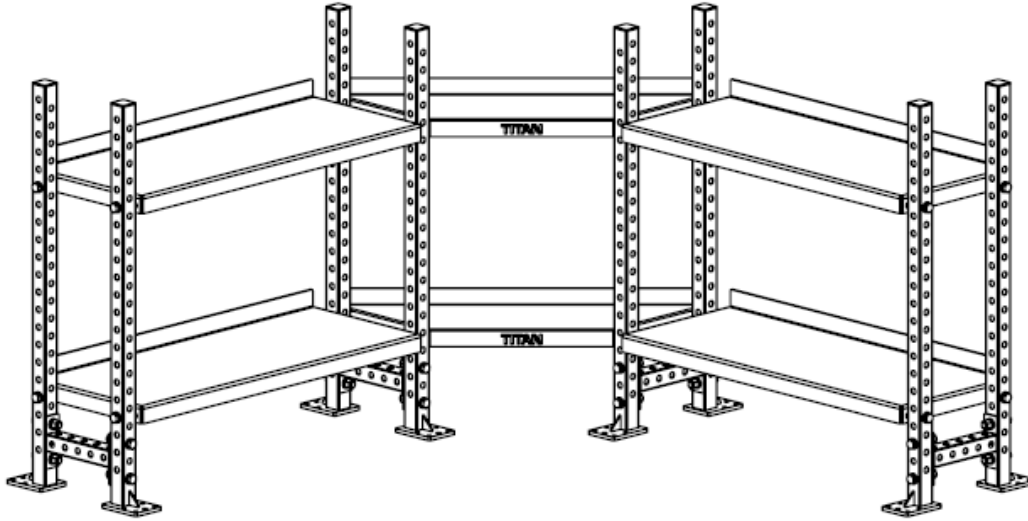


KEY	DESCRIPTION	QTY
1	UPRIGHT FRAME	8
2	CONNECT FRAME	4
3	DUMBBELL RACK	4
4	CORNER STAY 1011*263*97*3	2
5	END CAP F50*2.5	8
6	FLAT WASHER $\Phi 17 * \Phi 30 * 3$	64
7	SPRING WASHER $\Phi 16$	32
8	FLAT NUT M16	32
9	HEX BOLT M16*85	32

2 TIER ASSEMBLY INSTRUCTIONS

SPECIAL NOTES:

- Build on flat and level ground
- Avoid tightening bolts down completely until the rack is fully assembled



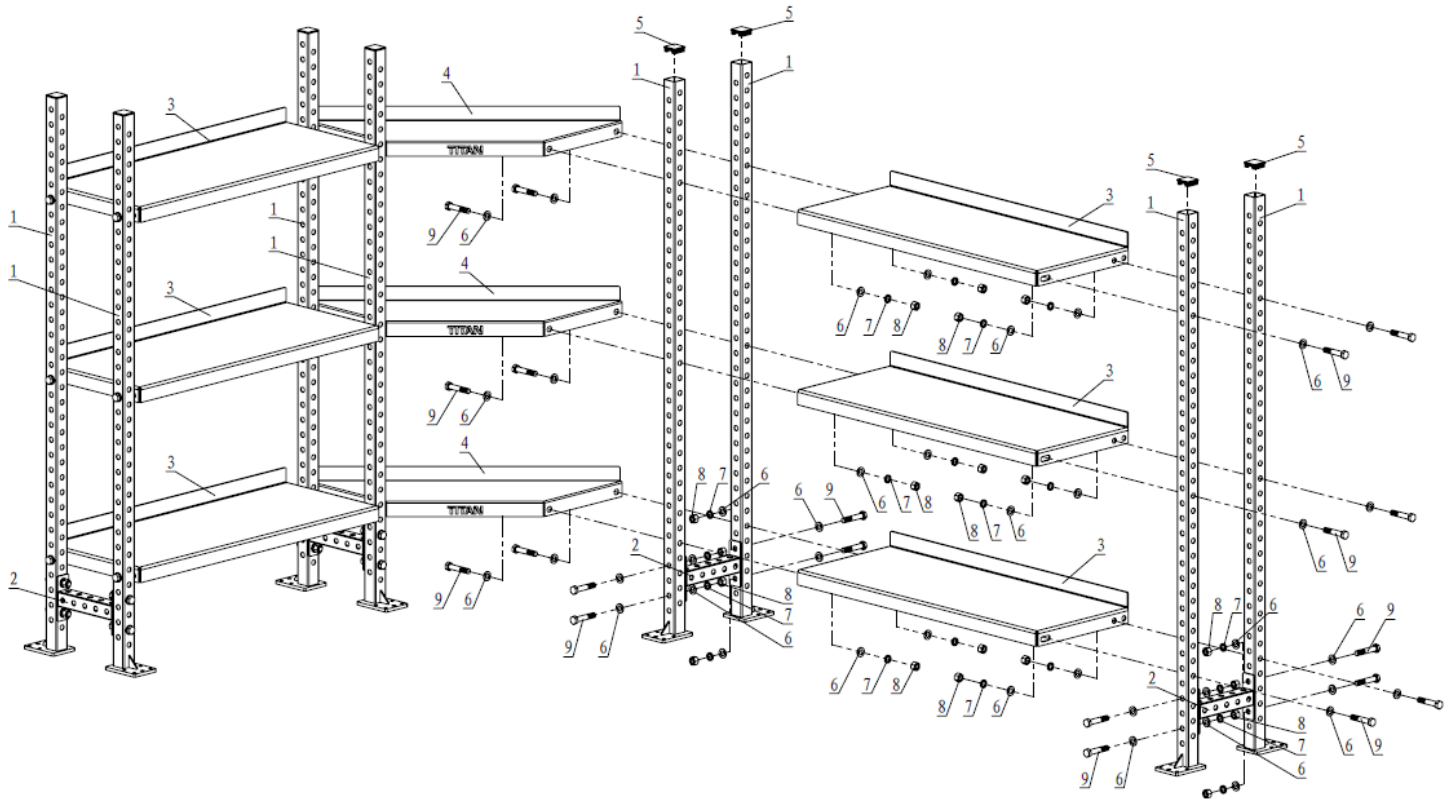
1. Fix Upright Frame (1) with Connect Frame (2) by using Flat Washer $\phi 17 * \phi 30 * 3$ (6), Spring Washer $\phi 16$ (7), Flat Nut M16 (8) and Hex Bolt M16*85 (9).

PLEASE DO NOT TIGHTEN THE BOLTS AND NUTS.

2. Fix Upright Frame (1), Dumbbell Rack (3) and Corner Stay 1011*263*97*3 (4) together using Flat Washer $\phi 17 * \phi 30 * 3$ (6), Spring Washer $\phi 16$ (7), Flat Nut M16 (8) and Hex Bolt M16*85 (9).
3. The Dumbbell Rack can be placed flat or tilted according to needs.

Then please tighten all the bolts and nuts.

3 TIER PARTS DIAGRAM / EXPLODED VIEW / PARTS LIST

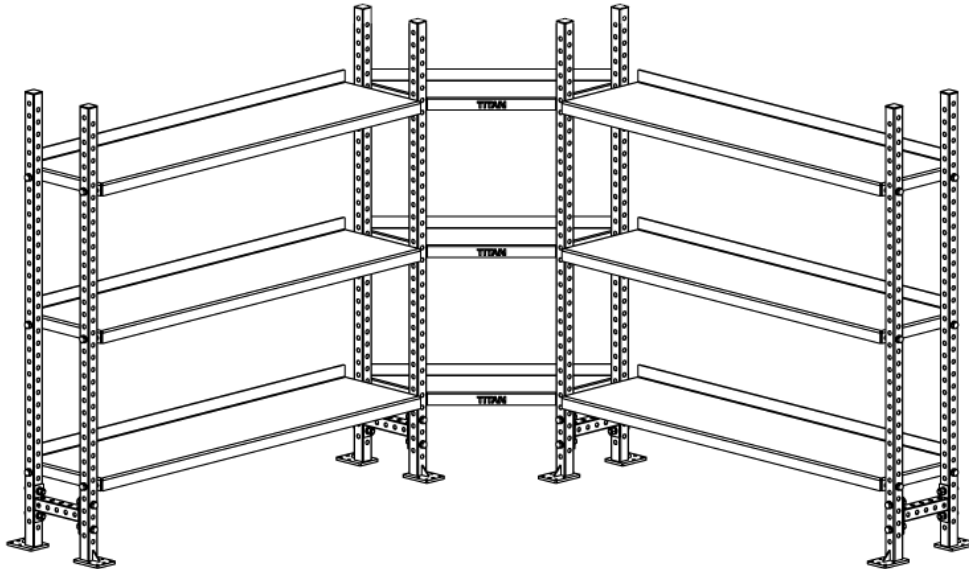
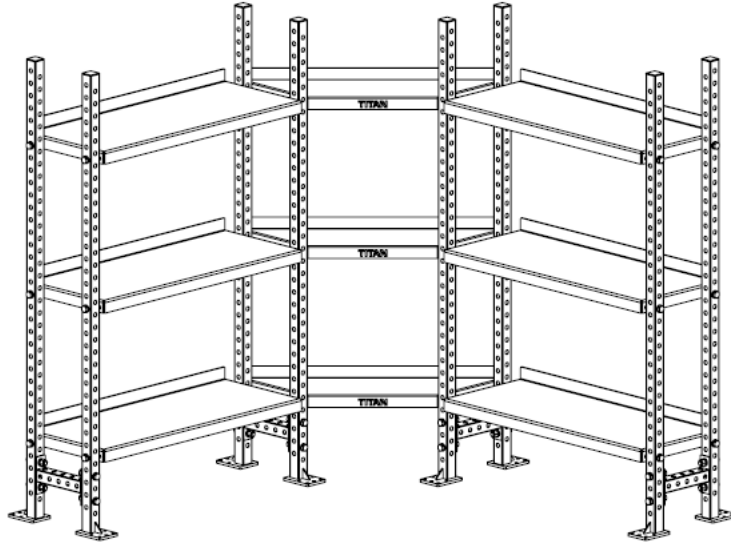


KEY	DESCRIPTION	QTY
1	UPRIGHT FRAME	8
2	CONNECT FRAME	4
3	DUMBBELL RACK	6
4	CORNER STAY 1011*263*97*3	3
5	END CAP F50*2.5	8
6	FLAT WASHER $\Phi 17 * \Phi 30 * 3$	80
7	SPRING WASHER $\Phi 16$	40
8	FLAT NUT M16	40
9	HEX BOLT M16*85	40

3 TIER ASSEMBLY INSTRUCTIONS

SPECIAL NOTES:

- Build on flat and level ground
- Avoid tightening bolts down completely until the rack is fully assembled



1. Fix Upright Frame (1) with Connect Frame (2) by using Flat Washer $\phi 17 * \phi 30 * 3$ (6), Spring Washer $\phi 16$ (7), Flat Nut M16 (8) and Hex Bolt M16*85 (9).

PLEASE DO NOT TIGHTEN THE BOLTS AND NUTS.

2. Fix Upright Frame (1), Dumbbell Rack (3) and Corner Stay 1011*263*97*3 (4) together using Flat Washer $\phi 17 * \phi 30 * 3$ (6), Spring Washer $\phi 16$ (7), Flat Nut M16 (8) and Hex Bolt M16*85 (9).
3. The Dumbbell Rack can be placed flat or tilted according to needs.

THEN PLEASE TIGHTEN ALL THE BOLTS AND NUTS.

ACKNOWLEDGEMENT OF RISK AND RELEASE OF LIABILITY

The use of any equipment, including this one, involves the potential risk of injury. Apart from any warranty claim that might be presented for a claimed defect in material or workmanship of the product, you accept and assume full responsibility for any and all injuries, damages (both economic and non-economic), and losses of any type, which may occur, and you fully and forever release and discharge Titan, its insurers, employees, officers, directors, associates, and agents from any and all claims, demands, damages, rights of action, or causes of action, present or future, whether the same be known or unknown, anticipated, or unanticipated, resulting from or arising out of the use of said equipment.

This equipment must be used with care by capable and competent individuals under supervision,

WARNING



Heavy object. Use lifting aids and proper lifting techniques when moving.



Choking hazard. Small parts – Please exercise caution if small children or pets are present.



Sharp objects may be involved. Use precaution and protection.

TITAN LIMITED WARRANTY: TERMS, EXCLUSIONS AND LIMITATIONS OF REMEDIES

This product comes with a one (1) year limited warranty that can be found at www.titan.fitness/warranty.html Please review the same for all details regarding the Titan Limited Warranty.

THE TITAN LIMITED WARRANTY FOUND AT WWW.TITAN.FITNESS/WARRANTY IS EXCLUSIVE AND IS IN LIEU OF ALL OTHER WARRANTIES, EXPRESS OR IMPLIED, INCLUDING ANY IMPLIED WARRANTY OF MERCHANTABILITY AND/OR FITNESS FOR A PARTICULAR PURPOSE, EACH OF WHICH IS HEREBY DISCLAIMED.



NEED HELP? CONTACT US FIRST.

1-888-410-1503

info@titan.fitness

www.titan.fitness

© 2024 Titan Brands