

# REPLACEMENT WHEEL KIT FITS 36" TOW-BEHIND ATV DRUM SPIKE AERATOR

---

191652 - ATVBRWK

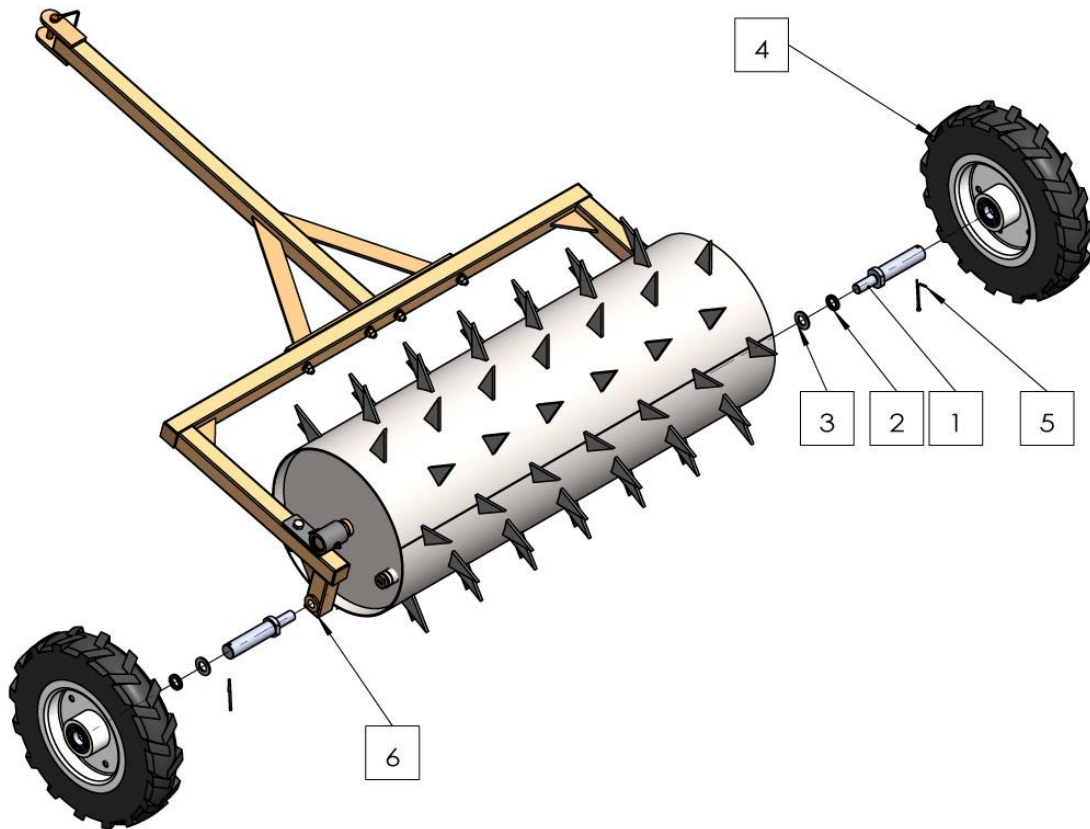


## Operator's Manual



Read the Operator's Manual entirely. When you see this symbol, the subsequent instructions and warnings are serious follow without exception. Your life and the lives of others depend on it!

## PARTS DIAGRAM AND ASSEMBLY INSTRUCTIONS



KEY	DESCRIPTION	QTY	KEY	DESCRIPTION	QTY
(1)	WHEEL SHAFT	2	(4)	TIRE/WHEEL ASSY	2
(2)	SPRING WASHER 20	2	(5)	COTTER PIN 4X63	2
(3)	FLAT WASHER 20	2	(6)	36ATVBRV2	1

1. Insert Flat Washer 20 (3) and Spring Washer 20 (2) onto Wheel Shaft (1).
2. Attach the Wheel Shaft (1) into the drum holder of the 36ATVBRv2 (6) by turning it with a wrench and tighten. Do this for both left and right sides.
3. Insert the Tire/Wheel Assy (4) into the Wheel Shaft (1) and lock the Tire/Wheel Assy (4) with Cotter Pin 4x63 (5). Do this for both left and right sides.

## ACKNOWLEDGEMENT OF RISK AND RELEASE OF LIABILITY

---

The use of any equipment, including this one, involves the potential risk of injury. Apart from any warranty claim that might be presented for a claimed defect in material or workmanship of the product, you accept and assume full responsibility for any and all injuries, damages (both economic and non-economic), and losses of any type, which may occur, and you fully and forever release and discharge Titan, its insurers, employees, officers, directors, associates, and agents from any and all claims, demands, damages, rights of action, or causes of action, present or future, whether the same be known or unknown, anticipated, or unanticipated, resulting from or arising out of the use of said equipment.

This equipment must be used with care by capable and competent individuals under supervision, if necessary.

## WARNING

---



**Do not overfill!** Mower should be level when checking oil in gear box.



some activities might be able to cause electric shock



Sharp objects may be involved.  
Use protective cover during maintenance.

## TITAN LIMITED WARRANTY: TERMS, EXCLUSIONS AND LIMITATIONS OF REMEDIES

---

This product comes with a one (1) year limited warranty that can be found at [www.palletforks.com/warranty.html](http://www.palletforks.com/warranty.html). Please review the same for all details regarding the Titan Limited Warranty.

**THE TITAN LIMITED WARRANTY FOUND AT [WWW.PALLETFORKS.COM/WARRANTY.HTML](http://WWW.PALLETFORKS.COM/WARRANTY.HTML) IS EXCLUSIVE AND IS IN LIEU OF ALL OTHER WARRANTIES, EXPRESS OR IMPLIED, INCLUDING ANY IMPLIED WARRANTY OF MERCHANTABILITY AND/OR FITNESS FOR A PARTICULAR PURPOSE, EACH OF WHICH IS HEREBY DISCLAIMED.**



**NEED HELP? CONTACT US FIRST.**

**1-800-605-7595**

[info@palletworks.com](mailto:info@palletworks.com)

[www.palletforks.com](http://www.palletforks.com)

© 2024 Titan Brands