

ELITE SERIES ADD-ON MASS STORAGE SYSTEM WITH BUMPER & MEDICINE BALL SHELVES

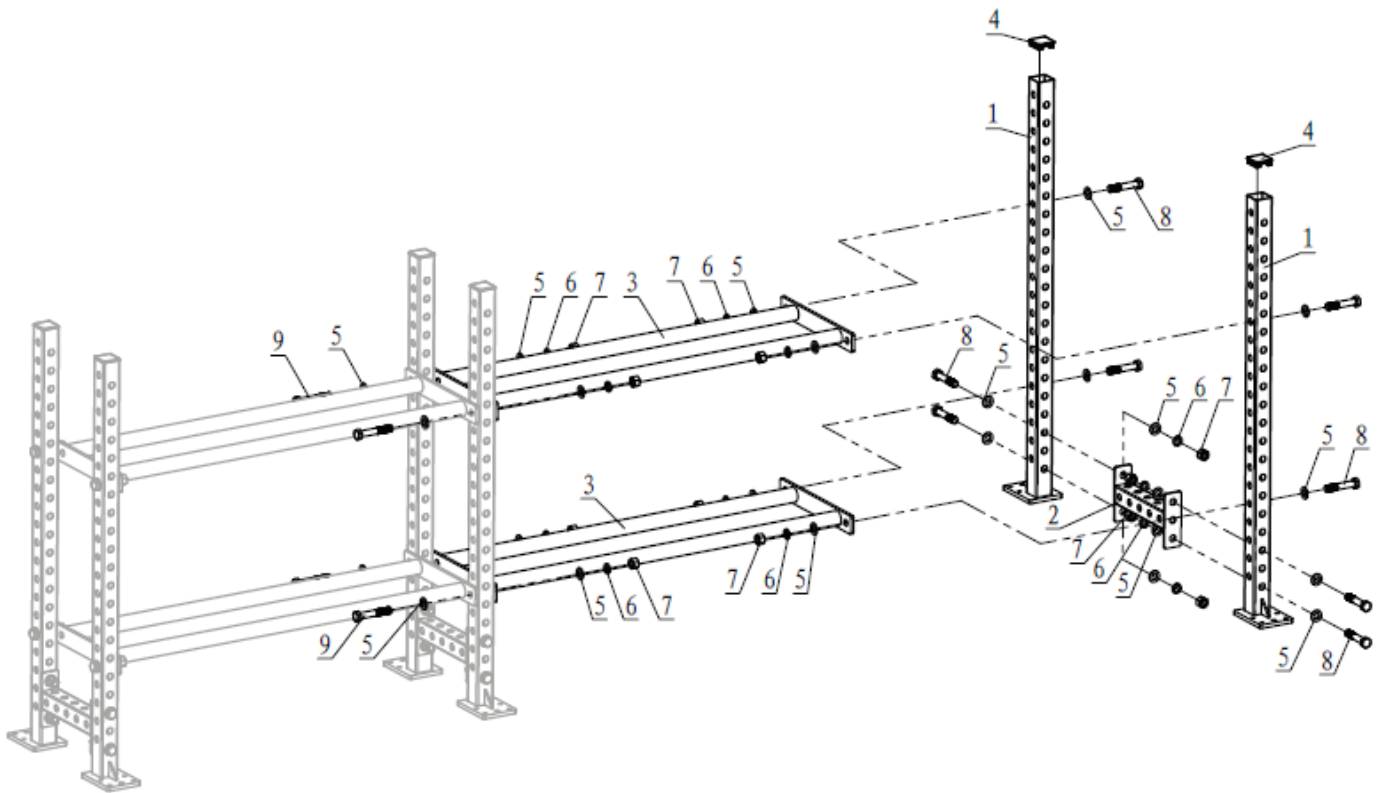
ESTOR45UP2-(2)ESTOR42SHLF, ESTOR45UP2-(2)ESTOR70SHLF,
ESTOR74UP2-(3)ESTOR42SHLF, ESTOR74UP2-(3)ESTOR70SHLF
401962, 401963, 401964, 401965



Operator's Manual

Read the Operator's Manual entirely. When you see this symbol, the subsequent instructions and warnings are serious follow without exception. Your life and the lives of others depend on it!

2 TIER PARTS DIAGRAM / EXPLODED VIEW / PARTS LIST

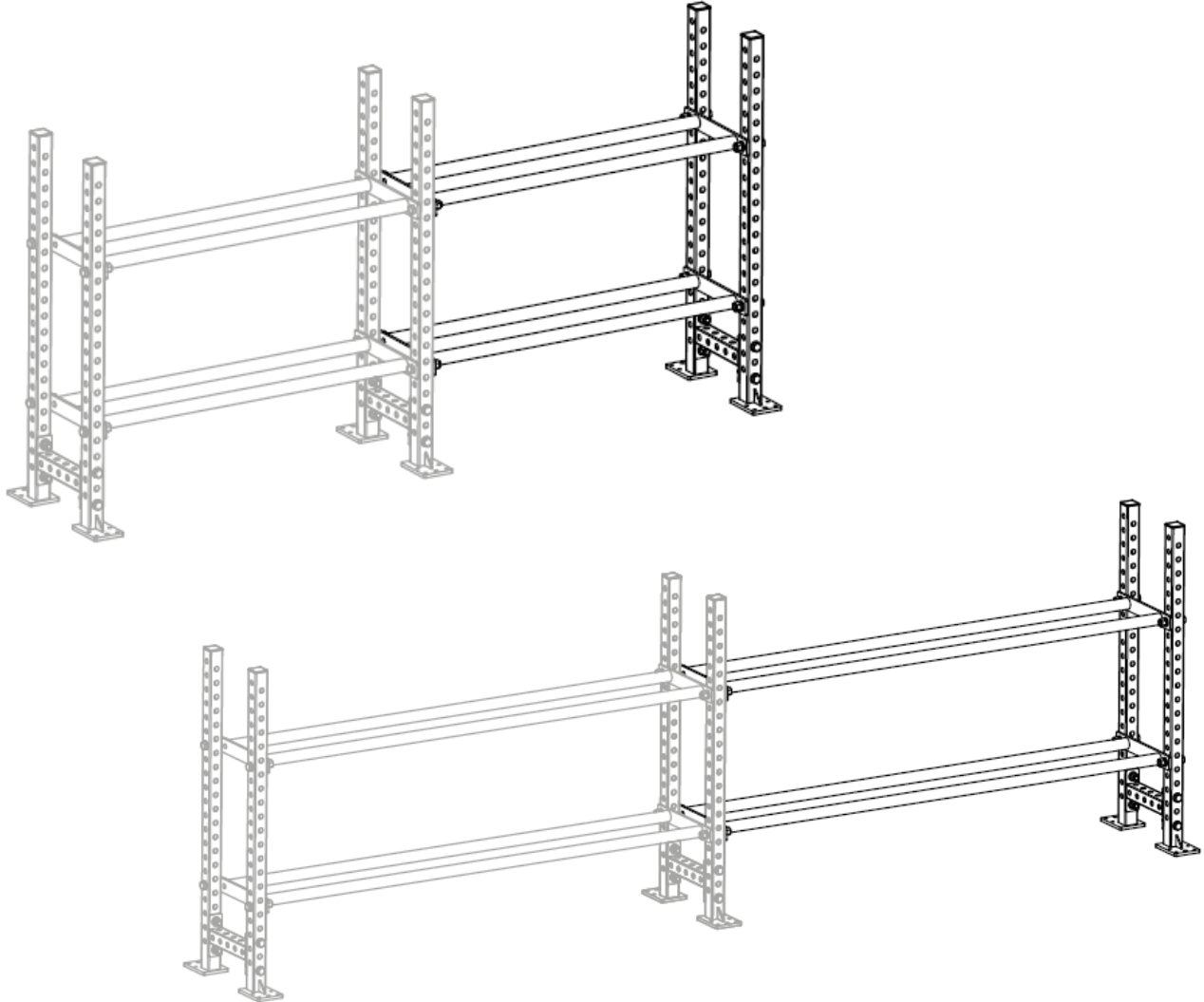


KEY	DESCRIPTION	QTY
1	UPRIGHT FRAME	2
2	CONNECT FRAME	1
3	STORAGE RACK	2
4	END CAP F50*2.5	2
5	FLAT WASHER $\Phi 17*\Phi 30*3$	24
6	SPRING WASHER $\Phi 16$	12
7	FLAT NUT M16	12
8	HEX BOLT M16*85	8
9	HEX BOLT M16*95	4

2 TIER ASSEMBLY INSTRUCTIONS

SPECIAL NOTES:

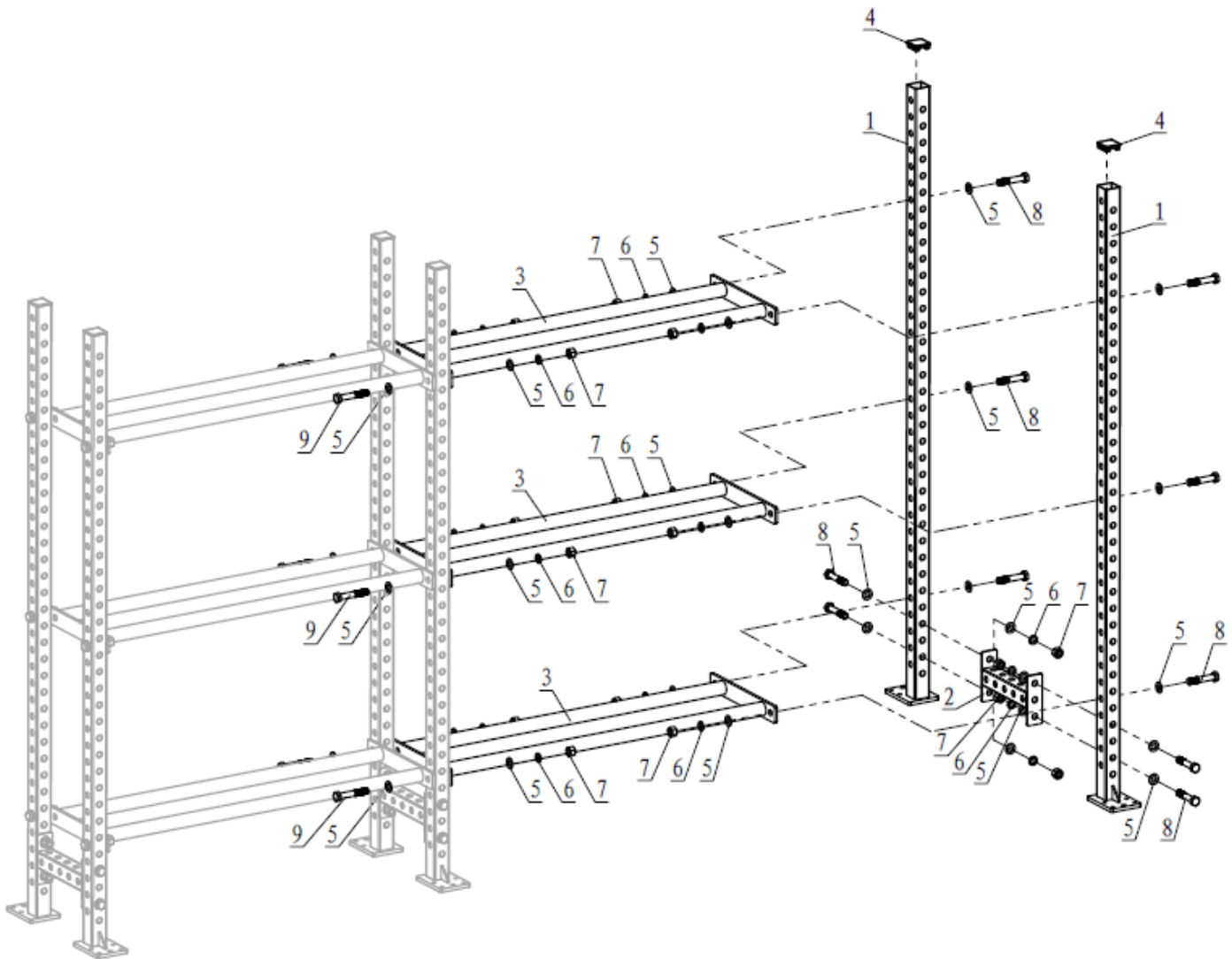
- Build on flat and level ground.
- Avoid tightening bolts down completely until the rack is fully assembled.
- The longer M16*95 bolts are only used for the middle uprights of the shelves.



1. Fix Upright Frame (1) with Connect Frame (2) by using Flat Washer $\phi 17 * \phi 30 * 3$ (5), Spring Washer $\phi 16$ (6), Flat Nut M16 (7) and Hex Bolt M16*85 (8).
2. Remove the bolts on one side that fixing Upright Frame (1) and Storage Rack (3).
3. Fix Upright Frame (1) with Storage Rack (3) together using Flat Washer $\phi 17 * \phi 30 * 3$ (5), Spring Washer $\phi 16$ (6), Flat Nut M16 (7), Hex Bolt M16*85 (8) and Hex Bolt M16*95 (9).
4. **NOTE** that the M16*95 bolt is in the middle of the machine.

THEN PLEASE TIGHTEN ALL THE BOLTS AND NUTS.

3 TIER PARTS DIAGRAM / EXPLODED VIEW / PARTS LIST

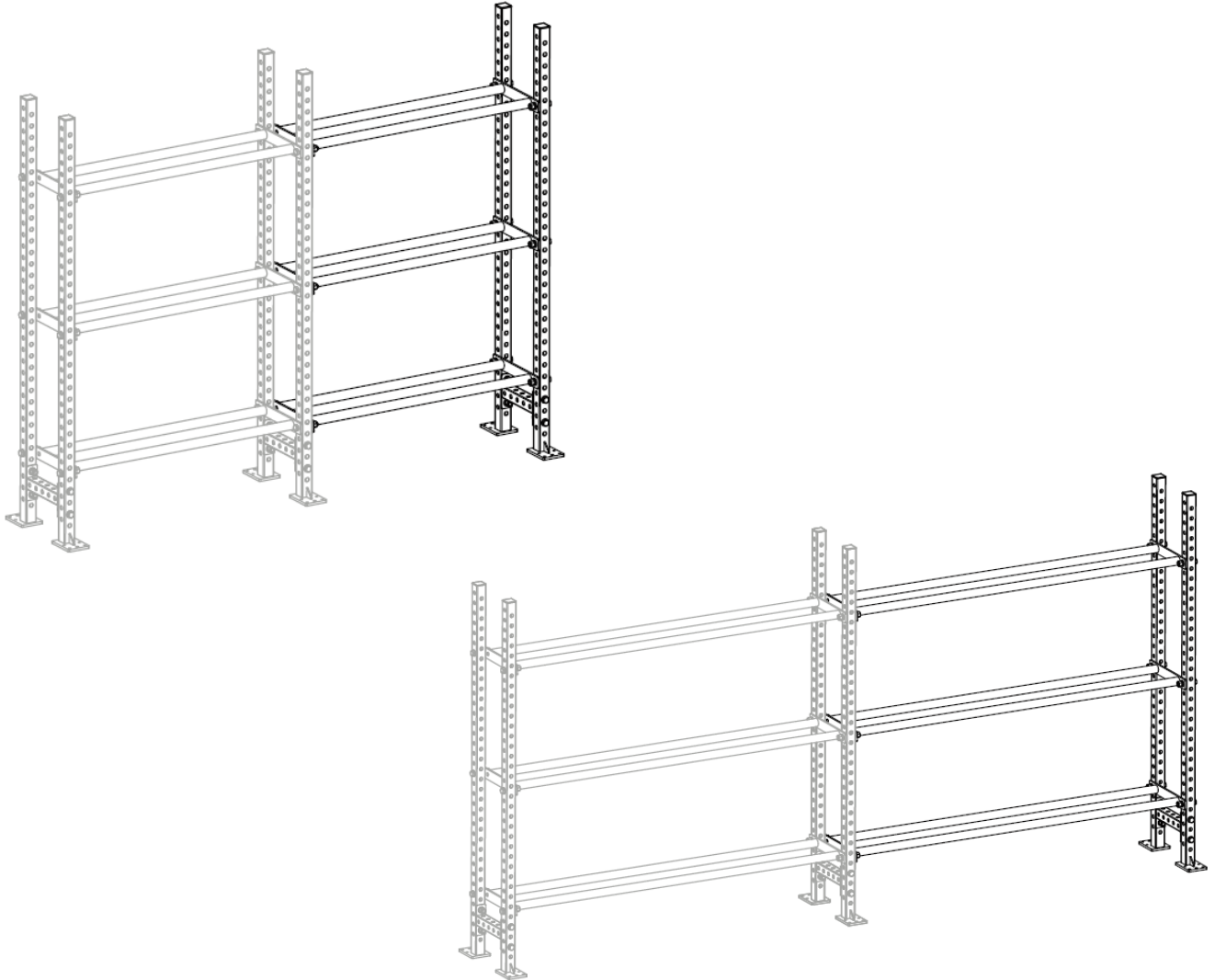


KEY	DESCRIPTION	QTY
1	UPRIGHT FRAME	2
2	CONNECT FRAME	1
3	STORAGE RACK	3
4	END CAP F50*2.5	2
5	FLAT WASHER $\Phi 17 * \Phi 30 * 3$	32
6	SPRING WASHER $\Phi 16$	16
7	FLAT NUT M16	16
8	HEX BOLT M16*85	10
9	HEX BOLT M16*95	6

3 TIER ASSEMBLY INSTRUCTIONS

SPECIAL NOTES:

- Build on flat and level ground.
- Avoid tightening bolts down completely until the rack is fully assembled.
- The longer M16*95 bolts are only used for the middle uprights of the shelves.



1. Fix Upright Frame (1) with Connect Frame (2) by using Flat Washer $\phi 17 * \phi 30 * 3$ (5), Spring Washer $\phi 16$ (6), Flat Nut M16 (7) and Hex Bolt M16*85 (8).

PLEASE DO NOT TIGHTEN THE BOLTS AND NUTS.

2. Remove the bolts on one side that fixing Upright Frame (1) and Storage Rack (3).
3. Fix Upright Frame (1) with Storage Rack (3) together using Flat Washer $\phi 17 * \phi 30 * 3$ (5), Spring Washer $\phi 16$ (6), Flat Nut M16 (7), Hex Bolt M16*85 (8) and Hex Bolt M16*95 (9).

4. **NOTE** that the M16*95 bolt is in the middle of the machine.

THEN PLEASE TIGHTEN ALL THE BOLTS AND NUTS.

ACKNOWLEDGEMENT OF RISK AND RELEASE OF LIABILITY

The use of any equipment, including this one, involves the potential risk of injury. Apart from any warranty claim that might be presented for a claimed defect in material or workmanship of the product, you accept and assume full responsibility for any and all injuries, damages (both economic and non-economic), and losses of any type, which may occur, and you fully and forever release and discharge Titan, its insurers, employees, officers, directors, associates, and agents from any and all claims, demands, damages, rights of action, or causes of action, present or future, whether the same be known or unknown, anticipated, or unanticipated, resulting from or arising out of the use of said equipment.

This equipment must be used with care by capable and competent individuals under supervision,

WARNING



Heavy object. Use lifting aids and proper lifting techniques when moving.



Choking hazard. Small parts – Please exercise caution if small children or pets are present.



Sharp objects may be involved. Use precaution and protection.

TITAN LIMITED WARRANTY: TERMS, EXCLUSIONS AND LIMITATIONS OF REMEDIES

This product comes with a one (1) year limited warranty that can be found at www.titan.fitness/warranty.html Please review the same for all details regarding the Titan Limited Warranty.

THE TITAN LIMITED WARRANTY FOUND AT WWW.TITAN.FITNESS/WARRANTY IS EXCLUSIVE AND IS IN LIEU OF ALL OTHER WARRANTIES, EXPRESS OR IMPLIED, INCLUDING ANY IMPLIED WARRANTY OF MERCHANTABILITY AND/OR FITNESS FOR A PARTICULAR PURPOSE, EACH OF WHICH IS HEREBY DISCLAIMED.



NEED HELP? CONTACT US FIRST.

1-888-410-1503

info@titan.fitness

www.titan.fitness

© 2024 Titan Brands