

FLOOR GLUTE HAMSTRING DEVELOPER

GBFGHD

400939

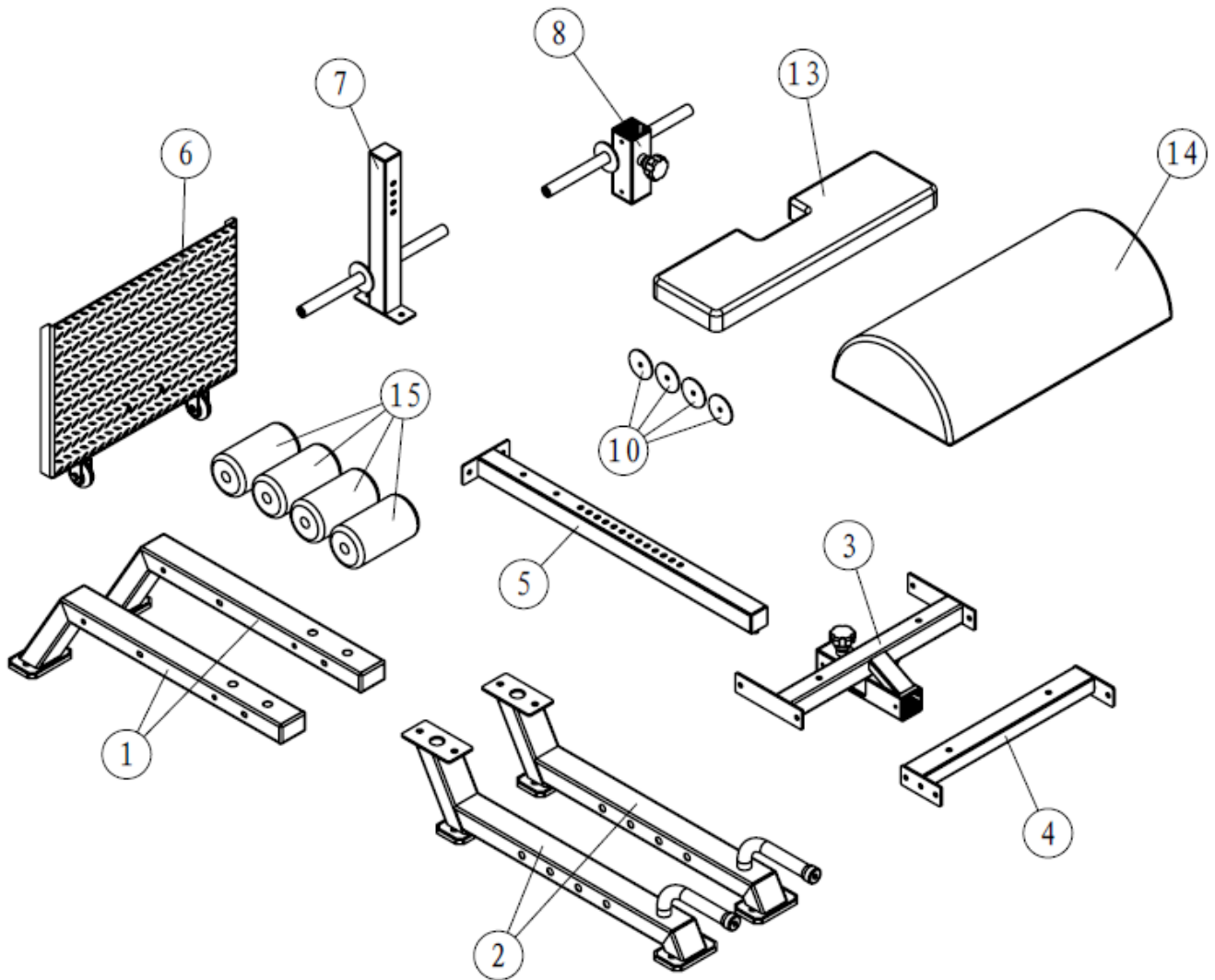


Operator's Manual



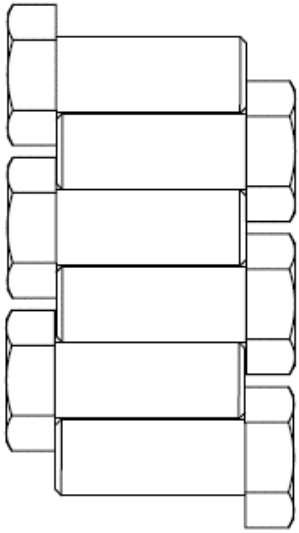
Read the Operator's Manual entirely. When you see this symbol, the subsequent instructions and warnings are serious follow without exception. Your life and the lives of others depend on it!

ASSEMBLY PARTS DIAGRAM / EXPLODED VIEW

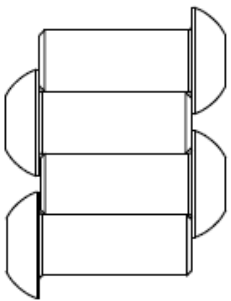


KEY	BOX	DESCRIPTION	QTY	KEY	BOX	DESCRIPTION	QTY
1	1	MAIN FRAME	2	7	1	FIXING FRAME	1
2	1	BASE FRAME	2	8	1	ADJUSTABLE FRAME	1
3	1	SUPPORT FRAME	1	10	1	FOAM BAFFLE	4
4	1	CROSS CONNECTION FRAME	1	13	1	CUSHION	1
5	1	CONNECTION FRAME	1	14	1	SEMICIRCLE CUSHION	1
6	1	PEDAL	1	15	1	FOAM	4

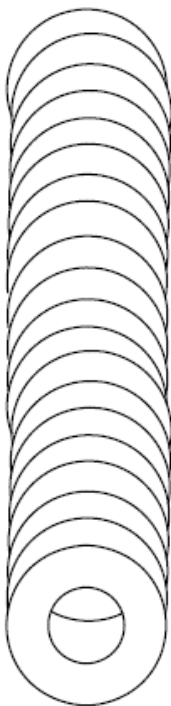
HARDWARE PACK (1/2)



No. 26 M10X25 (6)



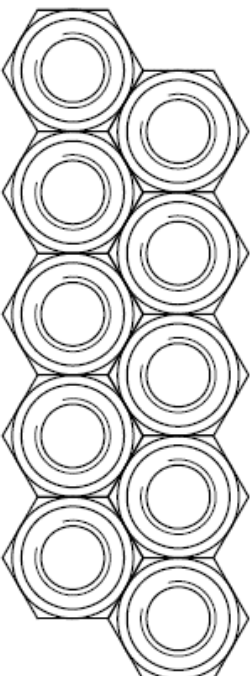
No. 24 M8X20 (4)



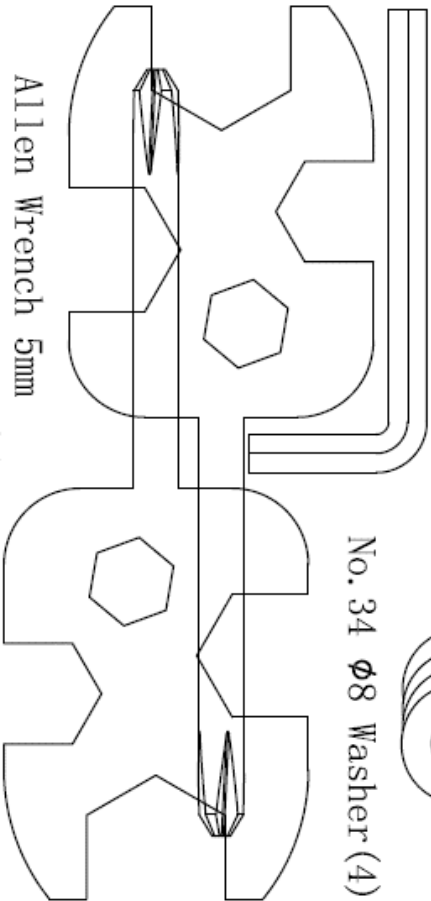
No. 35 Ø10 Washer (20)



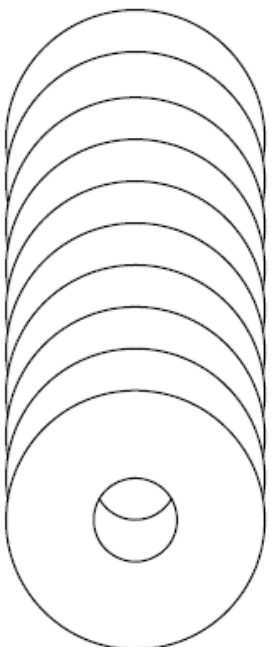
No. 34 Ø8 Washer (4)



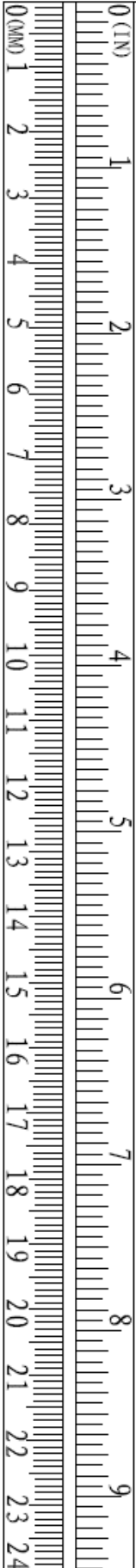
No. 33 M10 Nut (10)



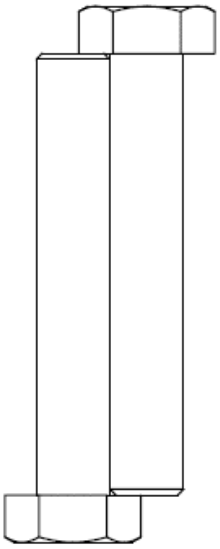
Allen Wrench 5mm
Universal Wrench (2)



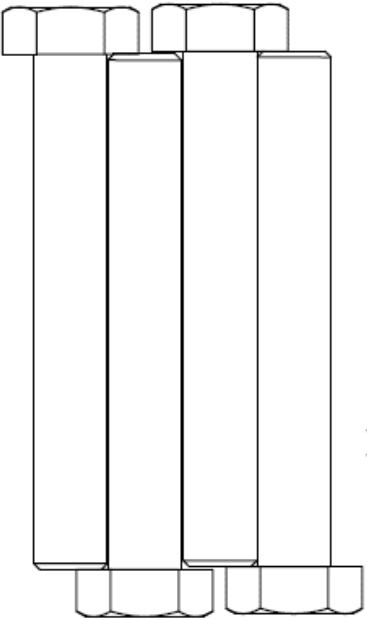
No. 36 Ø11XØ34X3 Washer (10)



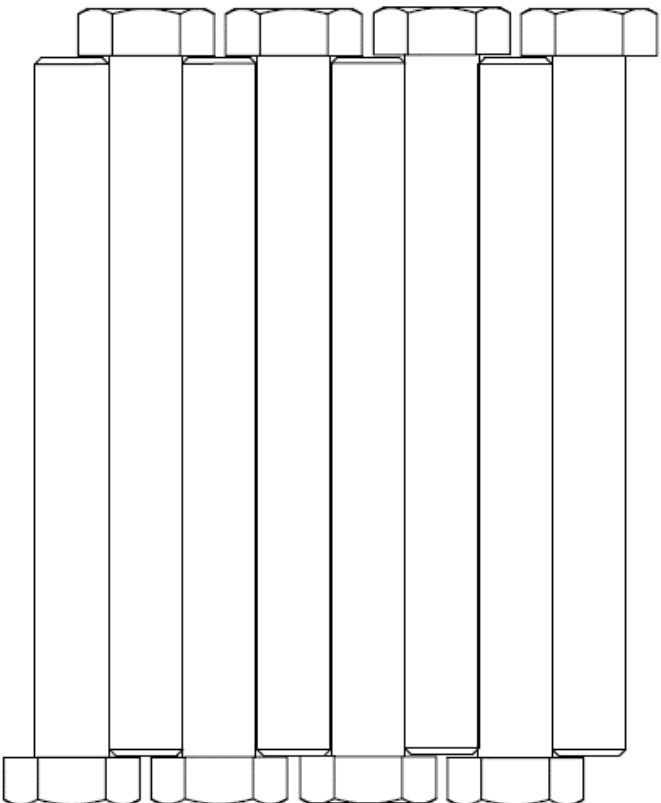
HARDWARE PACK (2/2)



No. 27 M10X60 (2)



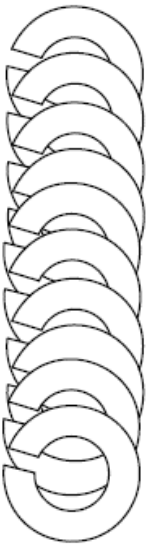
No. 28 M10X70 (4)



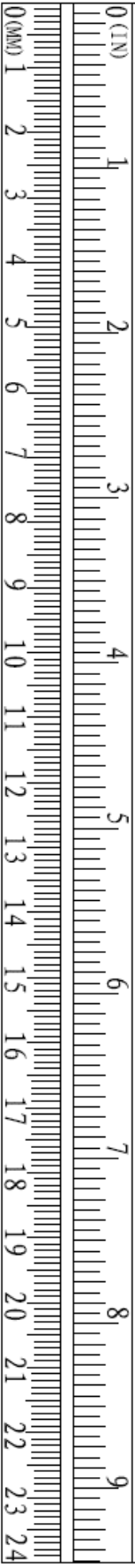
No. 29 M10X95 (8)



No. 30 Ø8 Spring Washer (4)



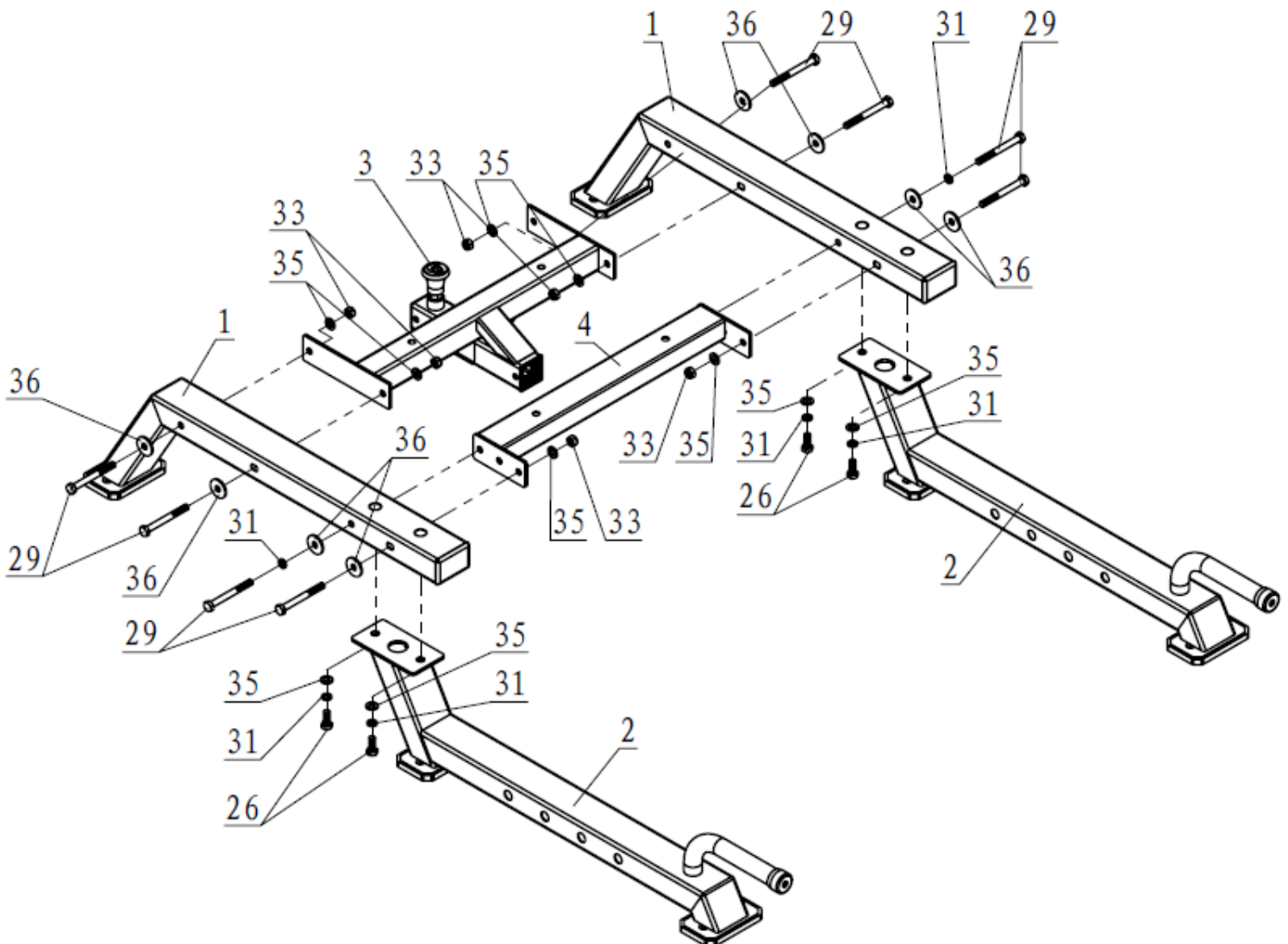
No. 31 Ø10 Spring Washer (10)



ASSEMBLY INSTRUCTIONS

STEP 1

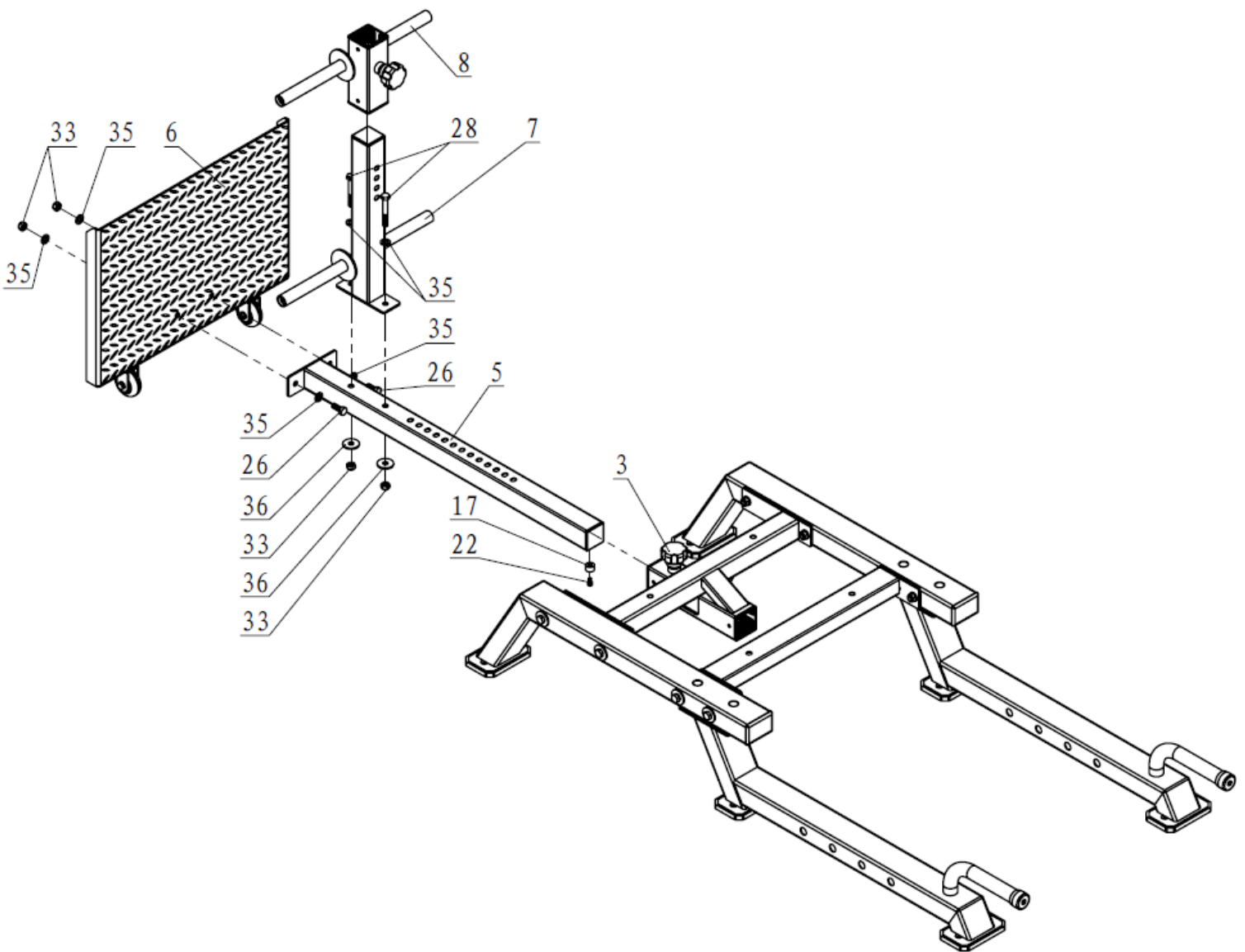
1. Assemble Base Frame (2) with Main Frame (1), Using Flat Washer $\Phi 11*\Phi 20*2$ (35), Spring Washer $\Phi 10$ (31) and Hex Bolt M10*25 (26).
2. Connect Support Frame (3) with Base Frame (2) and Main Frame (1), Using Flat Washer $\Phi 11*\Phi 34*3$ (36), Flat Washer $\Phi 11*\Phi 20*2$ (35), Nut M10 (33) and Hex Bolt M10*95 (29).
3. Connect Cross Connection Frame (4) with Base Frame (2) and Main Frame (1), Using Flat Washer $\Phi 11*\Phi 34*3$ (36), Flat Washer $\Phi 11*\Phi 20*2$ (35), Nut M10 (33), Spring Washer $\Phi 10$ (31) and Hex Bolt M10*95 (29).



STEP 2

1. Remove the Plastic Sleeve (17) from the Vertical Connection Frame (5), then assemble Vertical Connection Frame (5) with Support Frame (3), reinstall the Plastic Sleeve (17) and fixing by Hexagon socket head bolt M6*10(22).
2. Assemble the Pedal (6) with Connection Frame (5), using Flat Washer $\Phi 11*\Phi 20*2$ (35), Nut M10(33) and Hex Bolt M10*25(26).
3. Connect the Fixing Frame (7) and Connection Frame (5), using Flat Washer $\Phi 11*\Phi 20*2$ (35), Nut M10(33) and Hex Bolt M10*60(27).
4. Put the Adjustable Frame (8) insert the Fixing Frame (7).

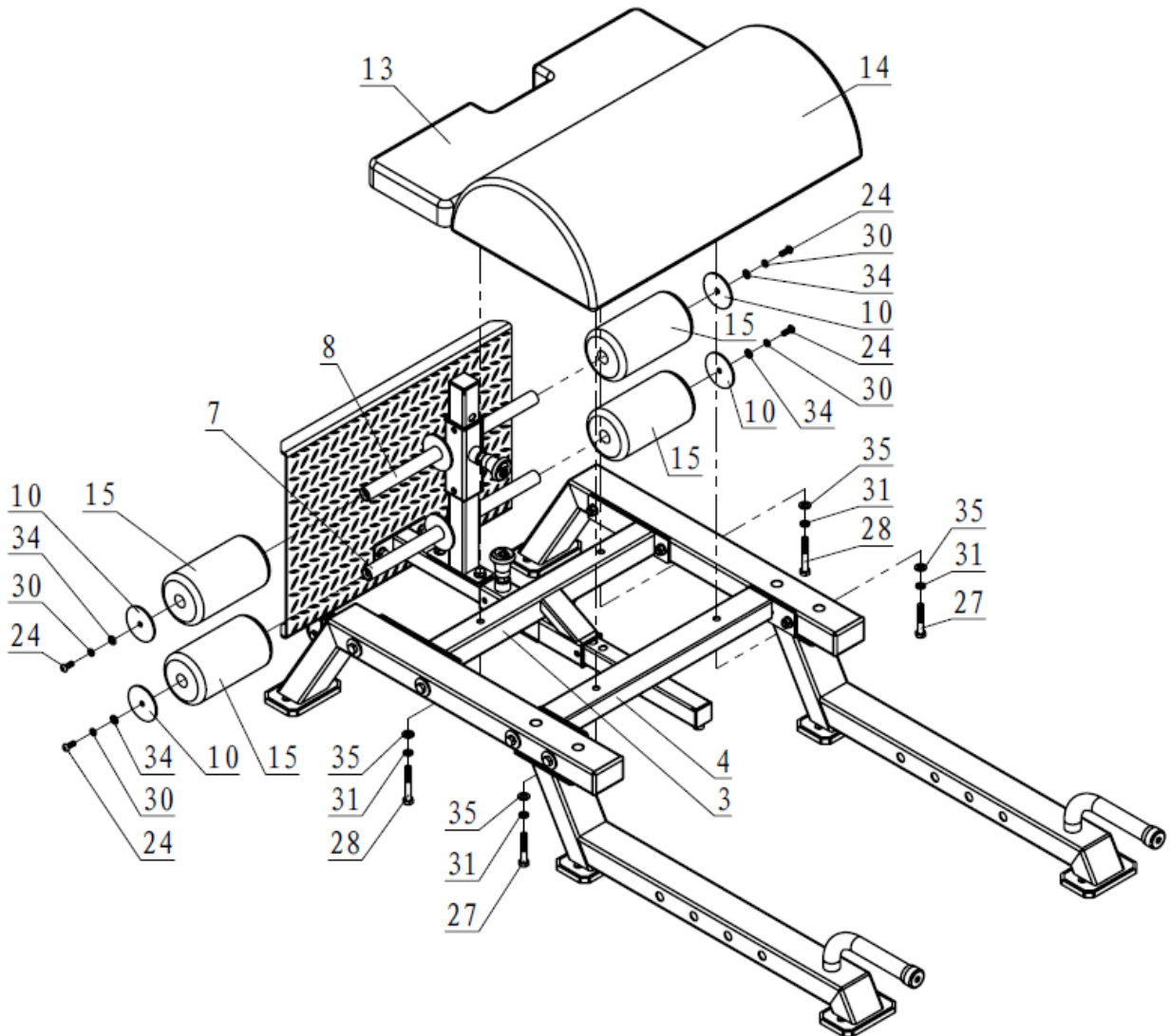
Note: When installing (8) Adjustable Frame insert the (7) Fixing Frame, please carefully align the PLASTIC SLEEVE with the chrome frame tubing. Carefully slide the handle onto the chrome frame, do not force.



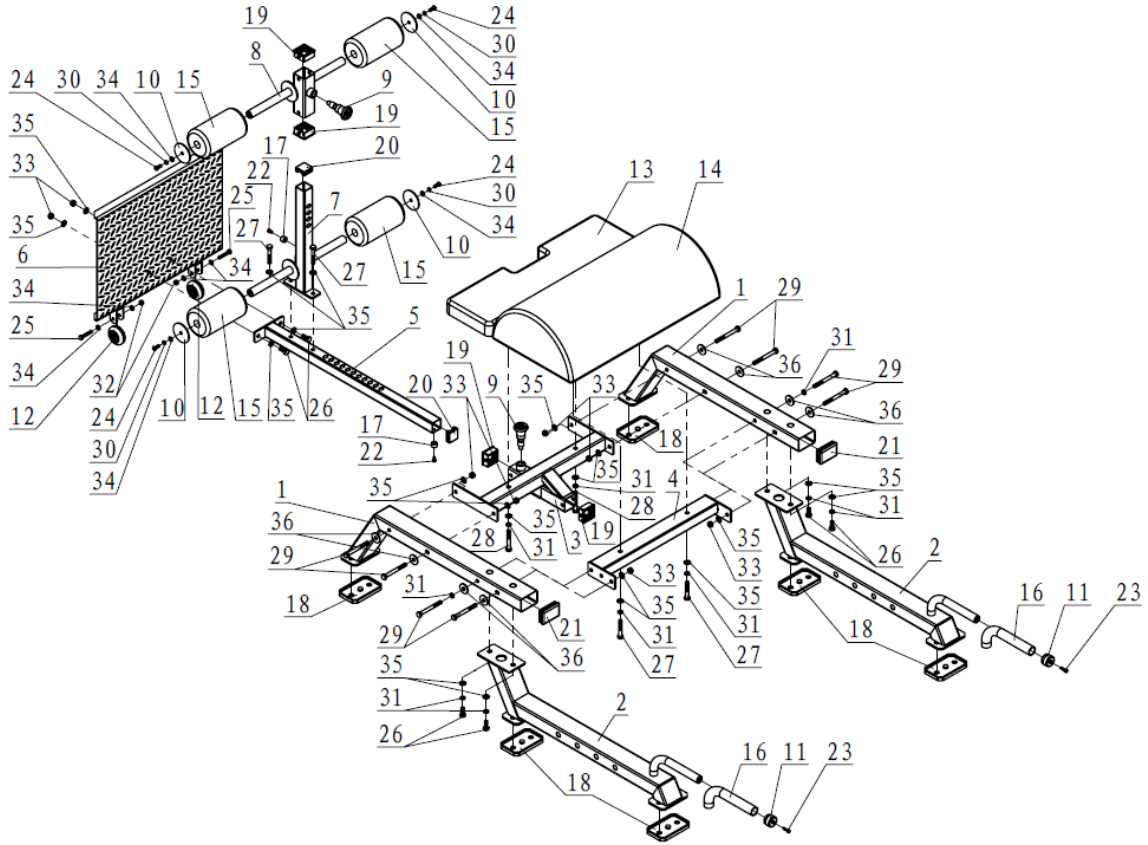
STEP 3

1. Connect the Cushion (13) to Support Frame (3), using Flat Washer $\Phi 11*\Phi 20*2$ (35), Spring Washer $\Phi 10$ (31) and Hex Bolt M10*70 (28).
2. Connect the Semicircle Cushion (14) to Cross Connection Frame (4), using Flat Washer $\Phi 11*\Phi 20*2$ (35), Spring Washer $\Phi 10$ (31) and Hex Bolt M10*60 (27).
3. Install Foam (15) on the Fixing Frame (7) and Adjustable Frame (8), using the Foam Baffle (10), Flat Washer $\Phi 9*\Phi 16*1.6$ (34), Spring Washer $\Phi 8$ (30), and Pan Head, Hex Bolt M8*20 (24).

THEN TIGHTEN THE NUTS AND BOLTS.



APPENDIX - FULL ASSEMBLY/EXPLODED VIEW/ FULL PARTS LIST



KEY	DESCRIPTION	QTY	KEY	DESCRIPTION	QTY
1	MAIN FRAME	2	19	HOLLOW SLEEVE	4
2	BASE FRAME	2	20	END CAP 40*40*2MM	2
3	SUPPORT FRAME	1	21	END CAP 50*75*2MM	2
4	CROSS CONNECTION FRAME	1	22	HEX SOCKET HEAD BOLT M6*10	2
5	CONNECTION FRAME	1	23	HEX SOCKET HEAD BOLT M6*20	2
6	PEDAL	1	24	PAN HEAD, HEX BOLT M8*20	4
7	FIXING FRAME	1	25	HEX BOLT M8*45	2
8	ADJUSTABLE FRAME	1	26	HEX BOLT M10*25	6
9	PIN	2	27	HEX BOLT M10*60	4
10	FOAM BAFFLE	4	28	HEX BOLT M10*70	2
11	Φ25 METAL END CAP	2	29	HEX BOLT M10*95	8
12	PU WHEEL	2	30	SPRING WASHER Φ8	4
13	CUSHION	1	31	SPRING WASHER Φ10	10
14	SEMICIRCLE CUSHION	1	32	NUT M8	2
15	FOAM	4	33	NUT M10	10
16	HANDLEBAR GRIP	2	34	FLAT WASHER Φ9*Φ16*1.6	8
17	PLASTIC SLEEVE Φ18*Φ6.5*12	2	35	FLAT WASHER Φ11*Φ20*2	22
18	RUBBER MAT	6	36	FLAT WASHER Φ11*Φ34*3	8

ACKNOWLEDGEMENT OF RISK AND RELEASE OF LIABILITY

The use of any equipment, including this one, involves the potential risk of injury. Apart from any warranty claim that might be presented for a claimed defect in material or workmanship of the product, you accept and assume full responsibility for any and all injuries, damages (both economic and non-economic), and losses of any type, which may occur, and you fully and forever release and discharge Titan, its insurers, employees, officers, directors, associates, and agents from any and all claims, demands, damages, rights of action, or causes of action, present or future, whether the same be known or unknown, anticipated, or unanticipated, resulting from or arising out of the use of said equipment.

This equipment must be used with care by capable and competent individuals under supervision,

TITAN LIMITED WARRANTY: TERMS, EXCLUSIONS AND LIMITATIONS OF REMEDIES

This product comes with a one (1) year limited warranty that can be found at www.titan.fitness/warranty.html Please review the same for all details regarding the Titan Limited Warranty.

THE TITAN LIMITED WARRANTY FOUND AT [WWW.TITAN.FITNESS/WARRANTY](http://www.titan.fitness/warranty.html) IS EXCLUSIVE AND IS IN LIEU OF ALL OTHER WARRANTIES, EXPRESS OR IMPLIED, INCLUDING ANY IMPLIED WARRANTY OF MERCHANTABILITY AND/OR FITNESS FOR A PARTICULAR PURPOSE, EACH



NEED HELP? CONTACT US FIRST.

1-888-410-1503

info@titan.fitness

www.titan.fitness

© 2024 Titan Brands