

# EXTREME-DUTY DEMOLITION GRAPPLE BUCKET

---

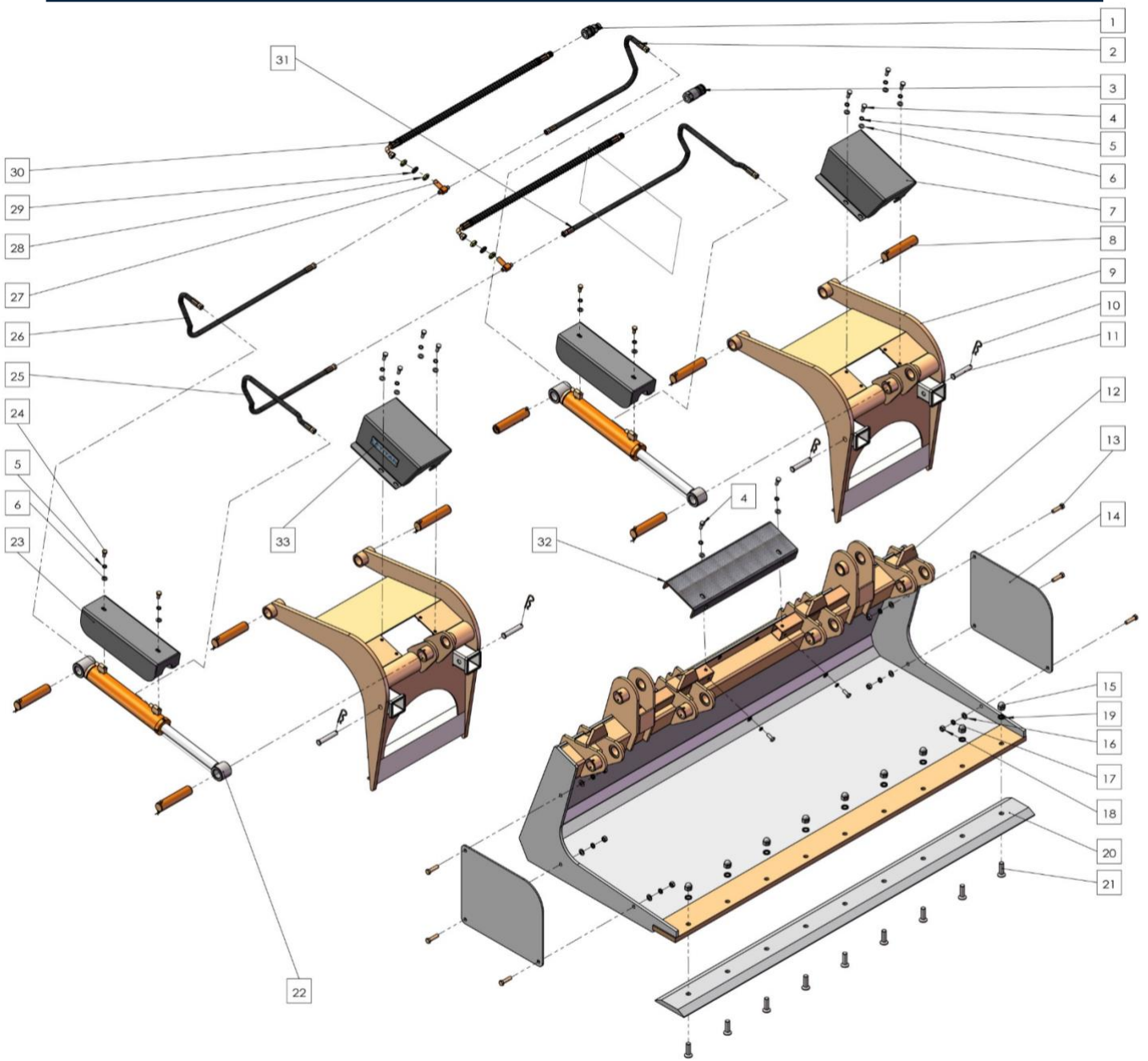
**115032 - 72DEMOGRAPv1b,  
115026 - 72DEMOGRAP-DEMOGRAPHOOK,  
115029 - 72DEMOGRAP-(2)DEMOGRAPHOOK**



## Operator's Manual

Read the Operator's Manual entirely. When you see this symbol, the subsequent instructions and warnings are serious follow without exception. Your life and the lives of others depend on it!

PARTS DIAGRAM / EXPLODED VIEW



KEY	DESCRIPTION	QTY	KEY	DESCRIPTION	QTY
(1)	FLAT FACE COUPLER - MALE	1	(18)	HEXA NUT M12	8
(2)	OIL HOSE - FEED 2	1	(19)	SPRING WASHER M16	9
(3)	FLAT FACE COUPLER - FEMALE	1	(20)	FRONT CUTTING EDGE	1
(4)	HEXA BOLT M10x25	12	(21)	COUNTERSUNK HEXA BOLT M16x55	9
(5)	SPRING WASHER M10	16	(22)	HYDRAULIC CYLINDER	2
(6)	FLAT WASHER M10	16	(23)	CYLINDER REAR SHIELD	2
(7)	CYLINDER FRONT SHIELD	2	(24)	HEXA BOLT M10x20	4
(8)	BUCKET/CYLINDER PIN	8	(25)	OIL HOSE - RETURN 1	1
(9)	UPPER JAW ASSY	2	(26)	OIL HOSE - FEED 1	1
(10)	COTTER PIN	4	(27)	T-CONNECTOR	2
(11)	RECEIVER HITCH PIN	4	(28)	HEXA THIN NUT G3-8	4
(12)	BUCKET ASSY	1	(29)	SPRING WASHER M18	2
(13)	HEXA BOLT M12x45	6	(30)	MAIN HOSE	2
(14)	SIDE PLATE	2	(31)	OIL HOSE - RETURN 2	1
(15)	HEXA CAP NUT M16	9	(32)	ANTI-SLIP BOARD	1
(16)	FLAT WASHER M12	8	(33)	TITAN ALUMINUM BADGE	2
(17)	SPRING WASHER M12	8			

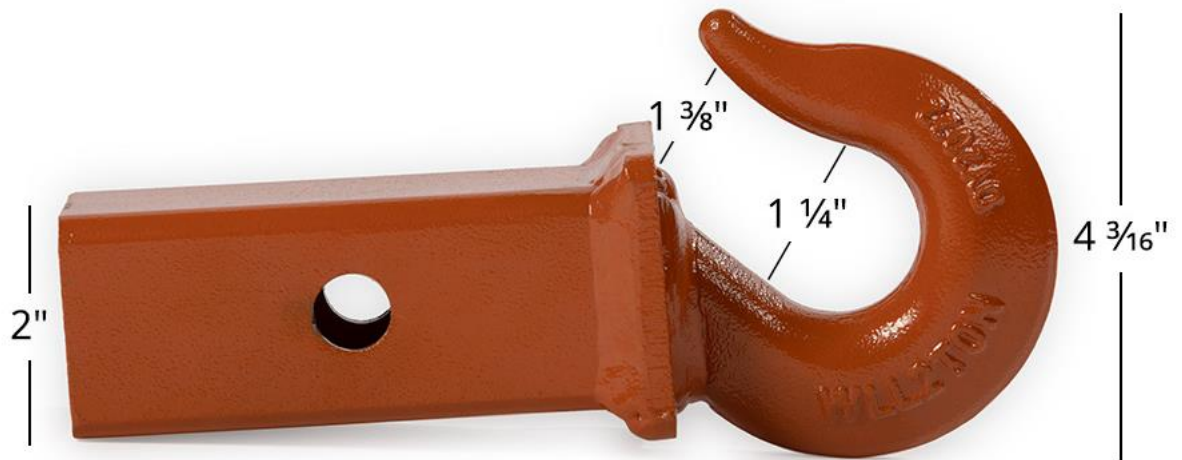
## ASSEMBLY INSTRUCTIONS

---

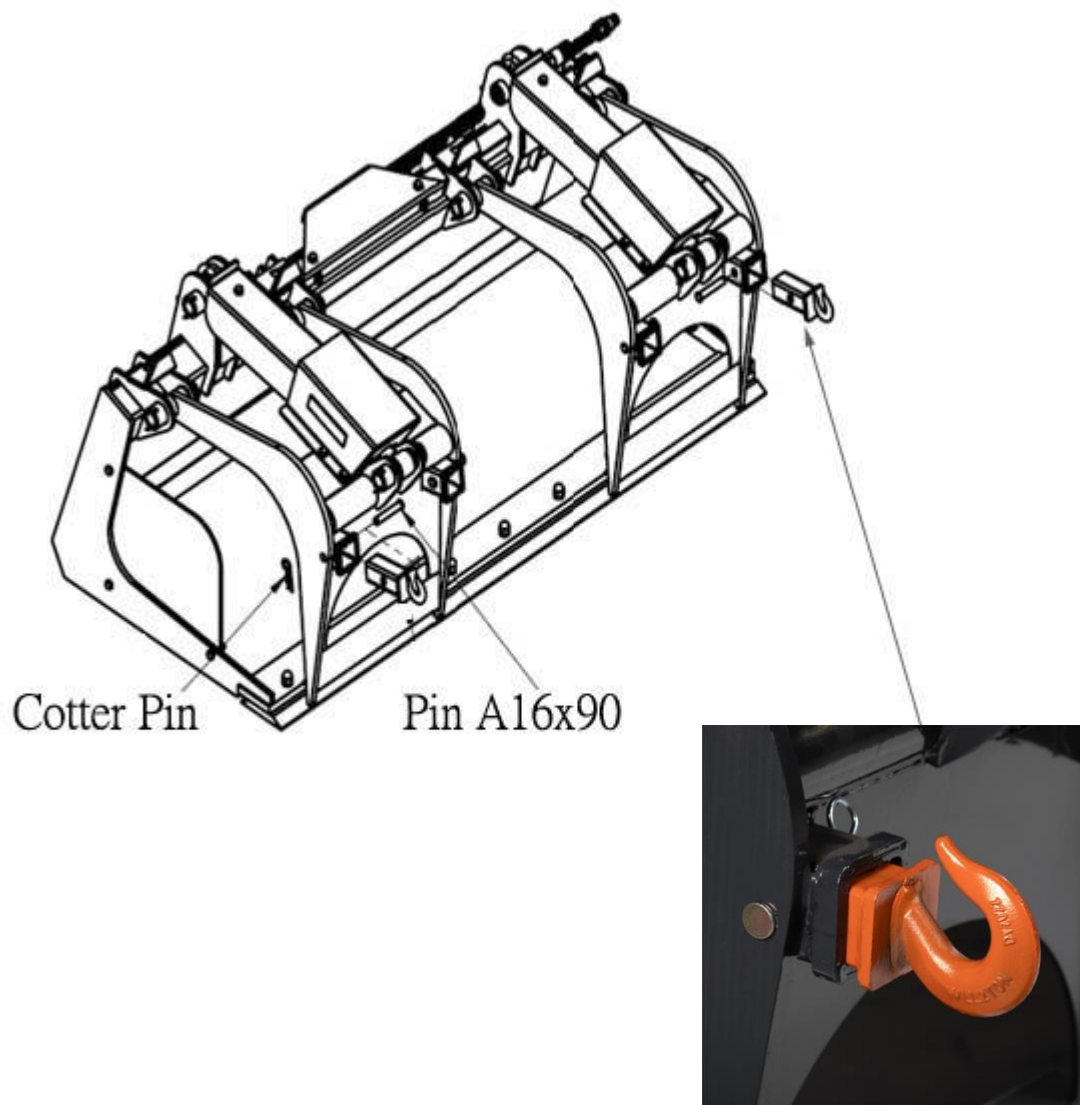
– COMES FULLY ASSEMBLED

PARTS DIAGRAM / EXPLODED VIEW

---



KEY	DESCRIPTION	QTY
(1)	Demolition Grapple Hooks	2 or 4



Install DEMOGRAPHOOKv1b onto DEMOGRAP:

1. Take off Cotter Pin and Pin A16x90 from the DEMOGRAP bucket.
2. Insert DEMOGRAPHOOKv1b into the receiver hitch of the bucket.
3. Align pin holes and put back Pin A16x90 and Cotter Pin 3.7x65 to hold the hook in place.  
Do this for the left and right side of the bucket.

## ACKNOWLEDGEMENT OF RISK AND RELEASE OF LIABILITY

---

The use of any equipment, including this one, involves the potential risk of injury. Apart from any warranty claim that might be presented for a claimed defect in material or workmanship of the product, you accept and assume full responsibility for any and all injuries, damages (both economic and non-economic), and losses of any type, which may occur, and you fully and forever release and discharge Titan, its insurers, employees, officers, directors, associates, and agents from any and all claims, demands, damages, rights of action, or causes of action, present or future, whether the same be known or unknown, anticipated, or unanticipated, resulting from or arising out of the use of said equipment.

This equipment must be used with care by capable and competent individuals under supervision, if necessary.

## WARNING

---



**Do not overfill!** Mower should be level when checking oil in gear box.



some activities might be able to cause electric shock



Sharp objects may be involved.  
Use protective cover during maintenance.

## TITAN LIMITED WARRANTY: TERMS, EXCLUSIONS AND LIMITATIONS OF REMEDIES

---

This product comes with a one (1) year limited warranty that can be found at [www.palletforks.com/warranty.html](http://www.palletforks.com/warranty.html). Please review the same for all details regarding the Titan Limited Warranty.

**THE TITAN LIMITED WARRANTY FOUND AT [WWW.PALLETFORKS.COM/WARRANTY.HTML](http://WWW.PALLETFORKS.COM/WARRANTY.HTML) IS EXCLUSIVE AND IS IN LIEU OF ALL OTHER WARRANTIES, EXPRESS OR IMPLIED, INCLUDING ANY IMPLIED WARRANTY OF MERCHANTABILITY AND/OR FITNESS FOR A PARTICULAR PURPOSE, EACH OF WHICH IS HEREBY DISCLAIMED.**



**NEED HELP? CONTACT US FIRST.**

**1-800-605-7595**

[info@palletworks.com](mailto:info@palletworks.com)

[www.palletforks.com](http://www.palletforks.com)

© 2024 Titan Brands