

# CIRCUS DUMBBELLS

---

10D2CRCSD, 10D2.5CRCSD, 12D2.5CRCSD, 12D3CRCSD  
423201, 423202, 423203, 423204



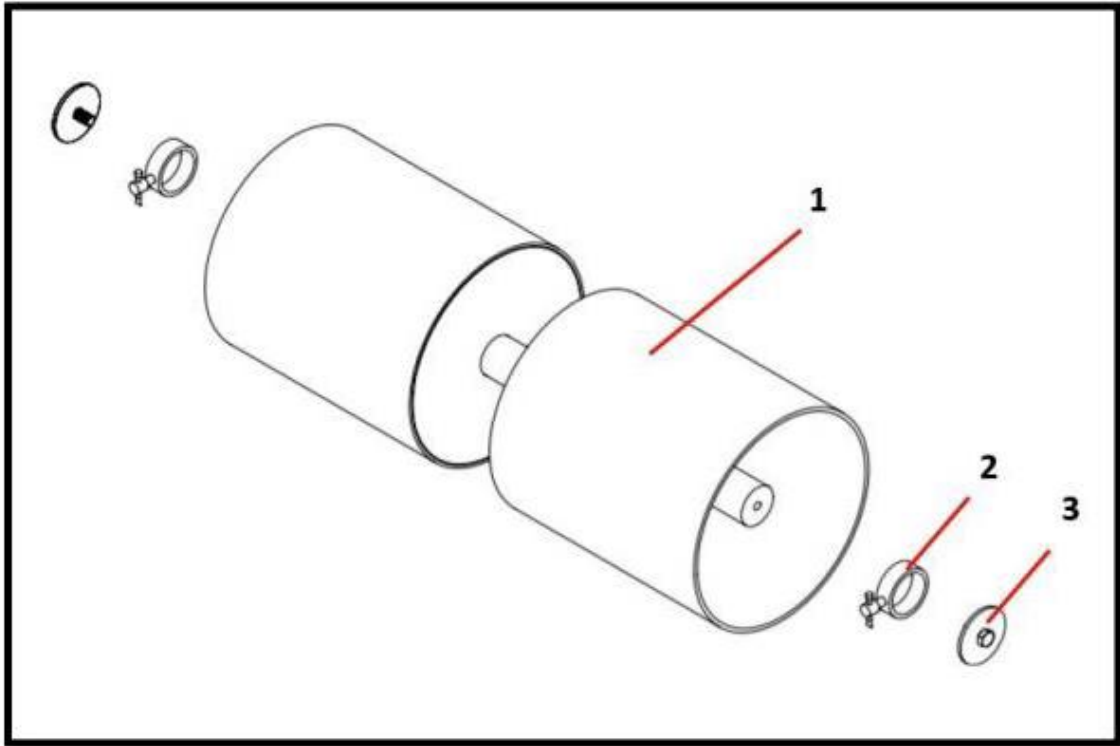
## Operator's Manual



Read the Operator's Manual entirely. When you see this symbol, the subsequent instructions and warnings are serious follow without exception. Your life and the lives of others depend on it!

## PARTS DIAGRAM / EXPLODED VIEW

---



KEY	DESCRIPTION	QTY
(1)	DUMBBELL	1
(2)	WEIGHT-RETAINING CLAMP	X2
(3)	WEIGHT-RETAINING WASHER	X2

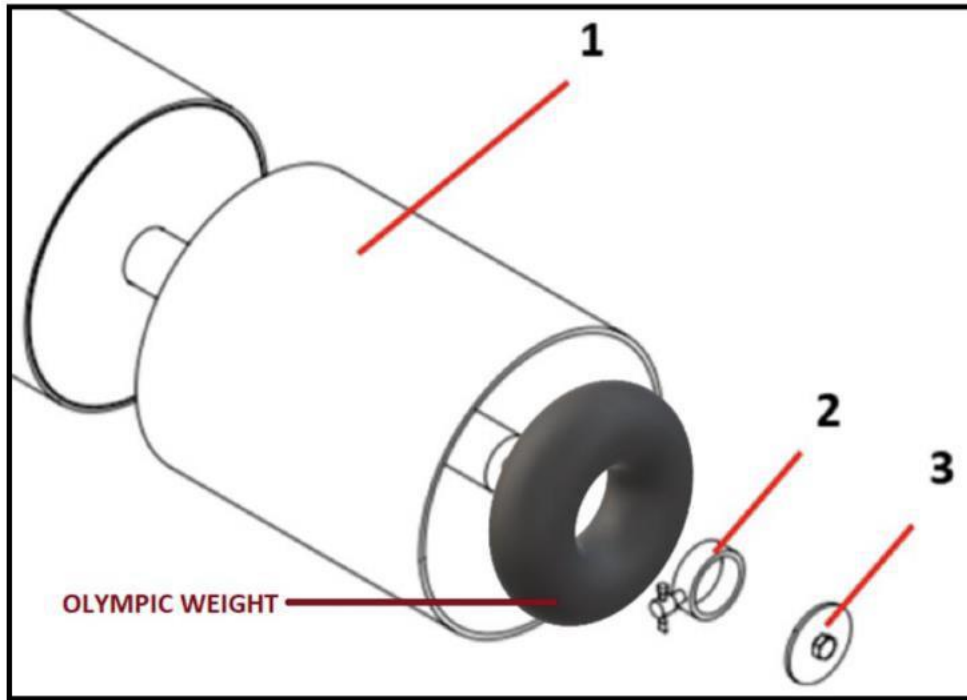
## DETAILS / FEATURES

---

- Available with 10" or 12" bell ends
- 2", 2.5", or 3" handle diameters for grip strength
- Fits Olympic weight plates
- 10.75" loadable sleeve length
- Comes with pair of weight retainers

## ASSEMBLY INSTRUCTIONS

---



1. To load your DUMBBELL (1) with appropriately sized Olympic weights, remove the WEIGHT-RETAINING CLAMP (2) and the WEIGHT-RETAINING WASHER (3) from each side of the DUMBBELL (1).
2. Load your Olympic weights into the DUMBBELL (1) as seen in the illustration above.  
**IMPORTANT: Make sure the same amount of weight is loaded into each end of the DUMBBELL (1) before use! Uneven distribution of weight in the DUMBBELL (1) can result in injury.**
3. Once your Olympic weights are loaded into your DUMBBELL (1), reattach the WEIGHT-RETAINING CLAMP (2) on each end to keep the weights from moving within the DUMBBELL (1).
4. Lastly, reattach the WEIGHT-RETAINING WASHER (3) to each end of the DUMBBELL (1).

## ACKNOWLEDGEMENT OF RISK AND RELEASE OF LIABILITY

---

The use of any equipment, including this one, involves the potential risk of injury. Apart from any warranty claim that might be presented for a claimed defect in material or workmanship of the product, you accept and assume full responsibility for any and all injuries, damages (both economic and non-economic), and losses of any type, which may occur, and you fully and forever release and discharge Titan, its insurers, employees, officers, directors, associates, and agents from any and all claims, demands, damages, rights of action, or causes of action, present or future, whether the same be known or unknown, anticipated, or unanticipated, resulting from or arising out of the use of said equipment.

This equipment must be used with care by capable and competent individuals under supervision,

## WARNING

---



Heavy object. Use lifting aids and proper lifting techniques when moving.



Choking hazard. Small parts – Please exercise caution if small children or pets are present.



Sharp objects may be involved. Use precaution and protection.

## TITAN LIMITED WARRANTY: TERMS, EXCLUSIONS AND LIMITATIONS OF REMEDIES

---

This product comes with a one (1) year limited warranty that can be found at [www.titan.fitness/warranty.html](http://www.titan.fitness/warranty.html) Please review the same for all details regarding the Titan Limited Warranty.

**THE TITAN LIMITED WARRANTY FOUND AT [WWW.TITAN.FITNESS/WARRANTY](http://WWW.TITAN.FITNESS/WARRANTY) IS EXCLUSIVE AND IS IN LIEU OF ALL OTHER WARRANTIES, EXPRESS OR IMPLIED, INCLUDING ANY IMPLIED WARRANTY OF MERCHANTABILITY AND/OR FITNESS FOR A PARTICULAR PURPOSE, EACH OF WHICH IS HEREBY DISCLAIMED.**



**NEED HELP? CONTACT US FIRST.**

**1-888-410-1503**

[info@titan.fitness](mailto:info@titan.fitness)

[www.titan.fitness](http://www.titan.fitness)

© 2025 Titan Brands