

SKID STEER HYDRAULIC AUGER DRIVE

192044 - SSAG3000, 192045 - SSAG3000-AGBIT6,
192046 - SSAG3000-AGBIT9, 192047 - SSAG3000-AGBIT12,
192048 - SSAG3000-AGBIT18, 192049 - SSAG3000-AGBIT24

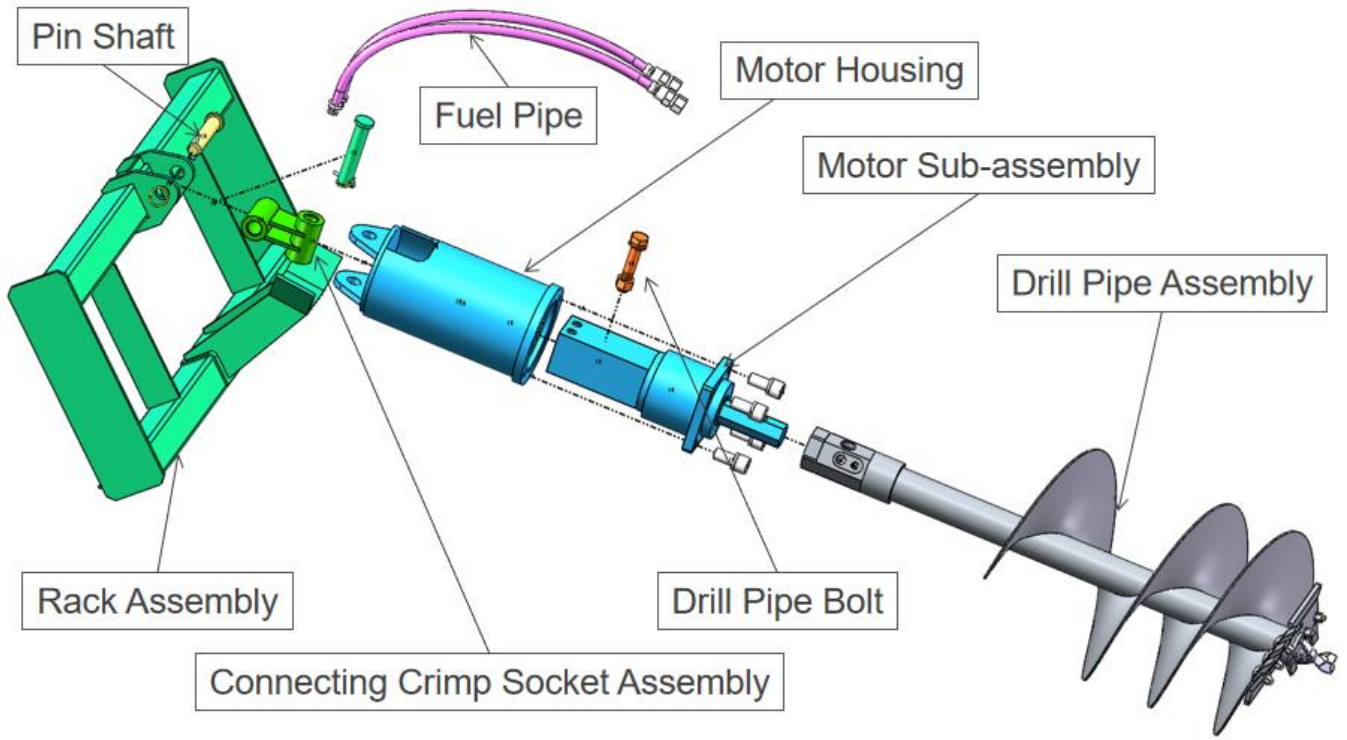


Operator's Manual

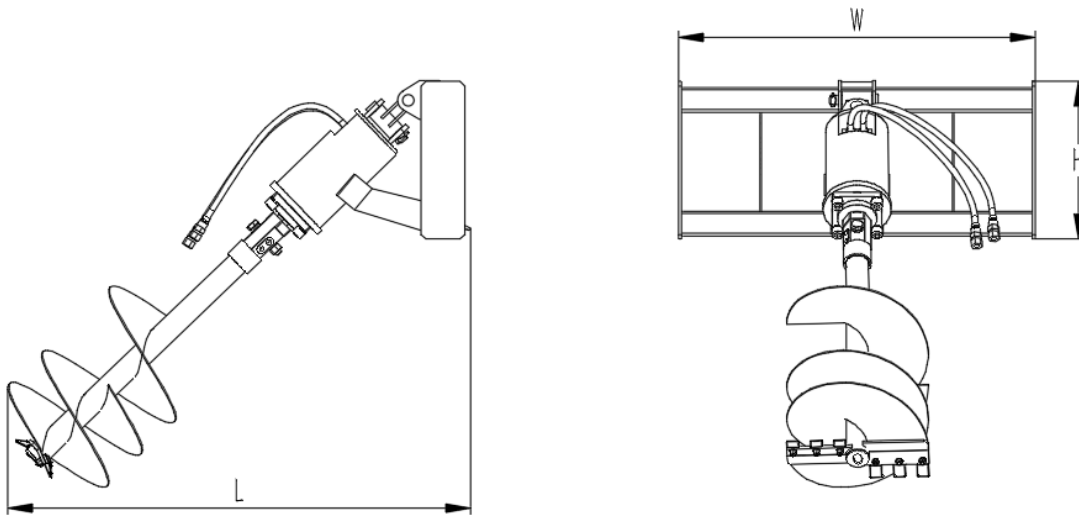


Read the Operator's Manual entirely. When you see this symbol, the subsequent instructions and warnings are serious follow without exception. Your life and the lives of others depend on it!

PARTS DIAGRAM / EXPLODED VIEW



TECHNICAL PARAMETERS



No.	Item	Parameters		Note
		6-36"		
	Model	British Parameters	Metric Parameters	
1	Total Weight	420 lbs	190 Kg	
2	Working Pressure	3000 psi	21 Mpa	
3	Overall Width W	45.3 "	1055 mm	
4	Height H	26.3 "	670 mm	
5	Length L	78.7 "	2000 mm	
6	Effective Working Depth W1	37.4 "	950 mm	
7	Model of Motor		BM3Y-315	Rated flow 75L/min, Speed 240r/min, Power 10Kw
8	Planetary gearbox		3T2A	Maximum output torque 2500N.M
9	Suitable Loader	Skid steer loader		

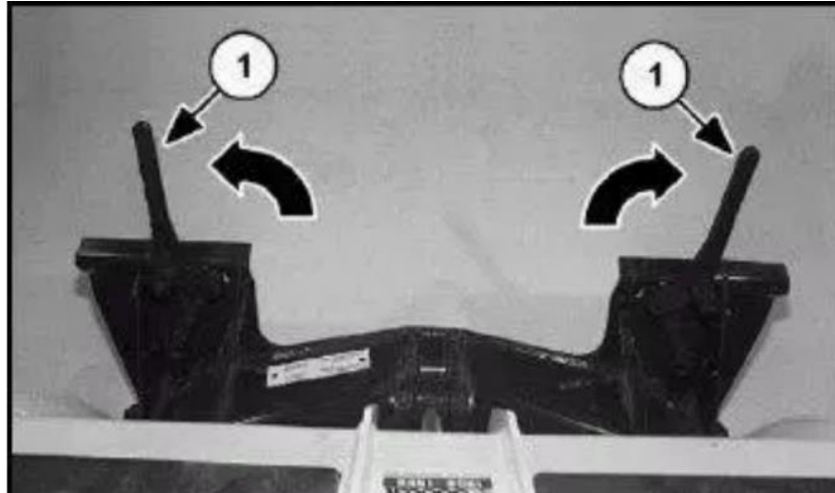
ASSEMBLY INSTRUCTIONS

Special Notes:

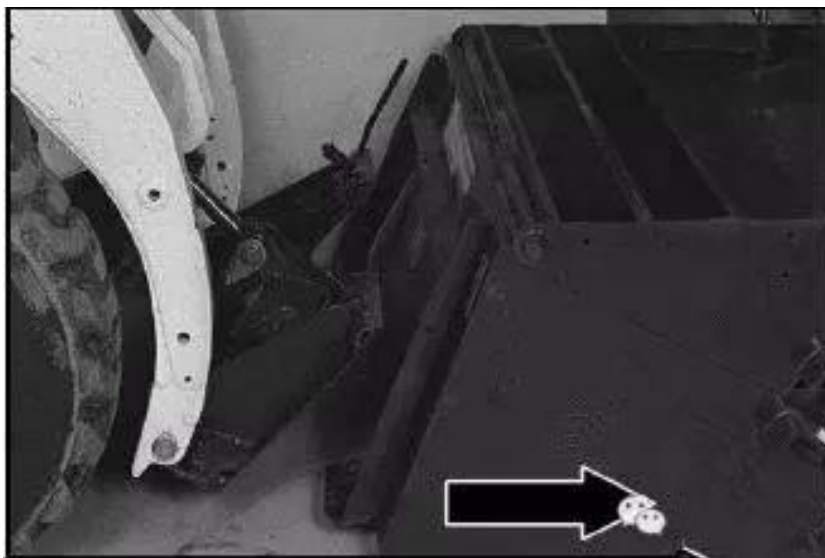
- Please check the quick-change device and the box broom sweeper before installing the sweeper for use.

Manually controlled quick-change mechanism:

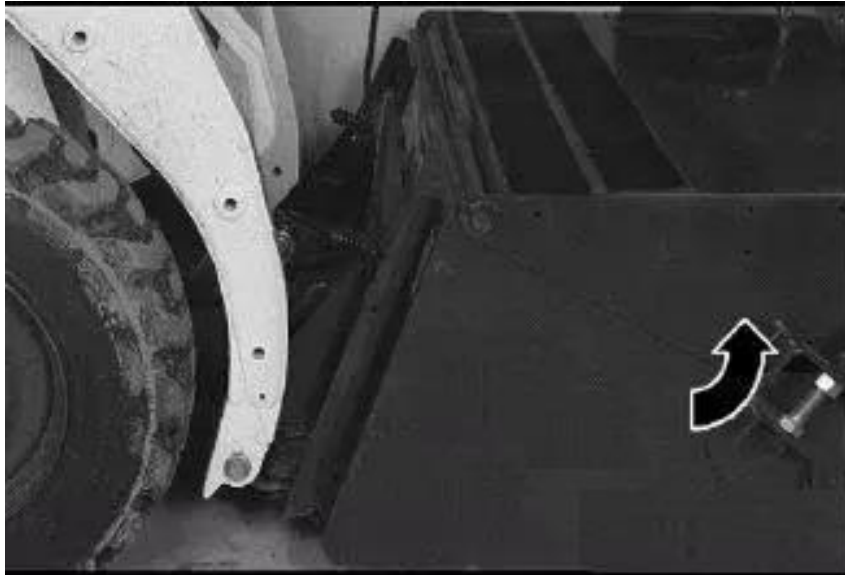
Pull the lever of quick-change mechanism fully open. (as shown below)



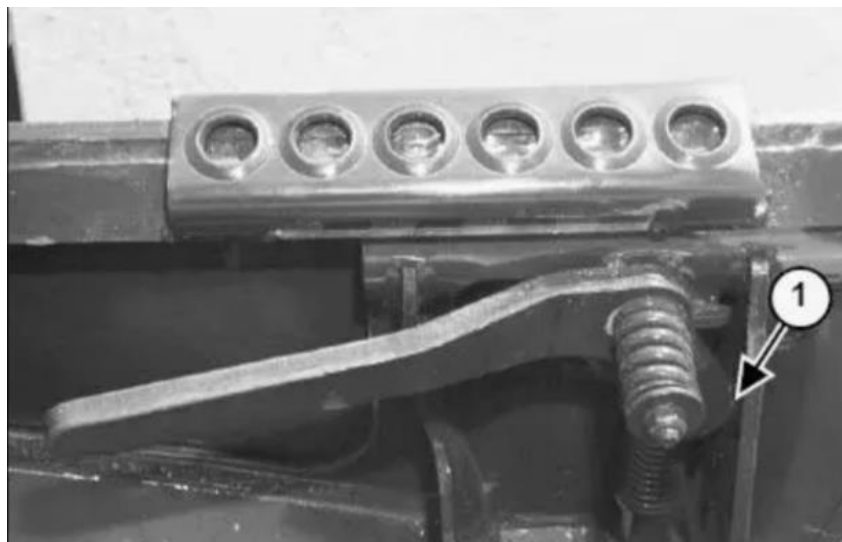
- Enter the cab, fasten your seat belt, depress the safety lever and start the engine. Release the hand brake.
- Tilt the quick-change device towards the front. Slowly move the machine forward so that the upper edge of the quick-change unit is fully integrated with the mounting flange of the sweeper. (as shown below)



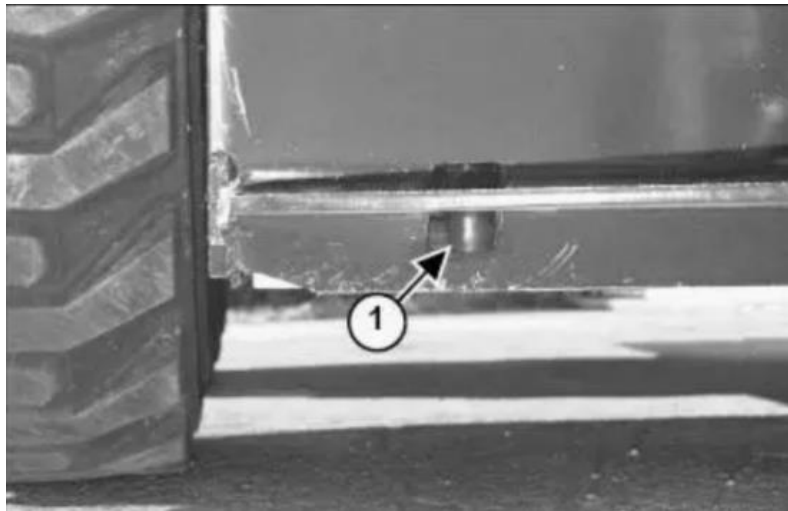
- Ensure that the lever of quick-change mechanism does not collide with the sweeper. Retract the quick-change unit backwards until the sweeper is completely off the ground. (as shown below)



- Turn the engine off and leave the cab. Depress the quick-change lever until the locking pin is fully inserted into the pin hole in the mounting bracket to be locked (Figure below).



- The locking pin of the quick-change device is fully inserted into the pin hole of the cleaner mounting bracket and locked, so that the cleaner is tightly bonded to the quick-change device.(Figure below)

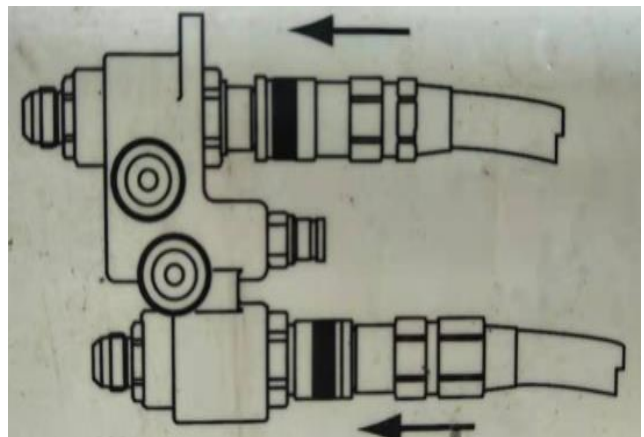


WARNING:

The locking pin of the quick-change device must be inserted into the pin hole of the attachment, and the lever must be fully depressed and locked. Failure to do so will cause the sweeper to fall off the loader, resulting in serious injury or even death.

HYDRAULIC CONNECTION:

- Connect the high pressure hose and oil-return hose of the sweeper to the auxiliary hydraulic plug on the skid steer loader. Push the joint toward the lock position after alignment and insertion. (as shown below).



OPERATION

Basic operations

1. Select the appropriate drill bit and drilling position, insert the Auger into the drilling position and fix it.
2. Attach the Auger to the skid steer loader and move to a specific location.
3. Start drilling, control the rotate speed and feed speed of the drilling machine so that the Auger remains stable during the drilling process.
4. When the Auger works in a mixed structure of soil and rock, pay attention to prevent excessive force, so as not to cause damage to the drill or overload of the auger drive.
5. When the drill bit needs to be replaced, shut down the auger drive and wait until the auger stops rotating before replacing the drill bit.
6. When drilling work is finished, the auger should be removed from the drilling hole and the bit and drilling hole shall be cleaned.

Cautions

1. Before operation, check whether the auger and the drill rod are normal. If there is any abnormality, handle it in time.
2. In the drilling process, pay attention to keep the feed speed and rotate speed stable to prevent excessive force.
3. After the drilling is completed, care should be taken to clean the auger and the drilling position to ensure the next use.
4. During use, care should be taken to avoid entangling the auger with wires or other items to avoid accidental injury.

Maintenance

Regular maintenance is key to extending life span of the equipment and safe operation. Maintenance requirements have been reduced to an absolute minimum. However, it is important that these maintenance functions are performed as described below.

No.	Maintenance projects	Daily (Per 8 Hours)	Refer to manual for prime power
1	Regular cleaning of equipment	✓	
2	Check hydraulic lines	✓	
3	Change lubricating oil regularly	✓	
4	Inspection of operation safety	✓	
5	Check that the prime mover hydraulic system has sufficient oil	✓	
6	Check if hardware is missing or loose. Replace or tighten it if necessary	✓	
7	Check if warning decals are missing or damaged and replace them if necessary	✓	
8	Clean the air filter of prime mover		✓

WARNING:

Hydraulic oil/diesel fuel spilled under pressure can penetrate the skin and cause serious injury. Fluid spilling from a very small hole is almost invisible. Use a piece of cardboard or wood, not your hands, to look for suspicious leaks.

ACKNOWLEDGEMENT OF RISK AND RELEASE OF LIABILITY

The use of any equipment, including this one, involves the potential risk of injury. Apart from any warranty claim that might be presented for a claimed defect in material or workmanship of the product, you accept and assume full responsibility for any and all injuries, damages (both economic and non-economic), and losses of any type, which may occur, and you fully and forever release and discharge Titan, its insurers, employees, officers, directors, associates, and agents from any and all claims, demands, damages, rights of action, or causes of action, present or future, whether the same be known or unknown, anticipated, or unanticipated, resulting from or arising out of the use of said equipment.

This equipment must be used with care by capable and competent individuals under supervision, if necessary.

WARNING



Do not overfill! Mower should be level when checking oil in gear box.



some activities might be able to cause electric shock



Sharp objects may be involved.
Use protective cover during maintenance.

TITAN LIMITED WARRANTY: TERMS, EXCLUSIONS AND LIMITATIONS OF REMEDIES

This product comes with a one (1) year limited warranty that can be found at www.palletforks.com/warranty.html. Please review the same for all details regarding the Titan Limited Warranty.

THE TITAN LIMITED WARRANTY FOUND AT WWW.PALLETFORKS.COM/WARRANTY.HTML IS EXCLUSIVE AND IS IN LIEU OF ALL OTHER WARRANTIES, EXPRESS OR IMPLIED, INCLUDING ANY IMPLIED WARRANTY OF MERCHANTABILITY AND/OR FITNESS FOR A PARTICULAR PURPOSE, EACH OF WHICH IS HEREBY DISCLAIMED.



NEED HELP? CONTACT US FIRST.

1-800-605-7595

info@palletworks.com
www.palletforks.com

© 2025 Titan Brands